

# PYD

## ELECTROBOMBAS

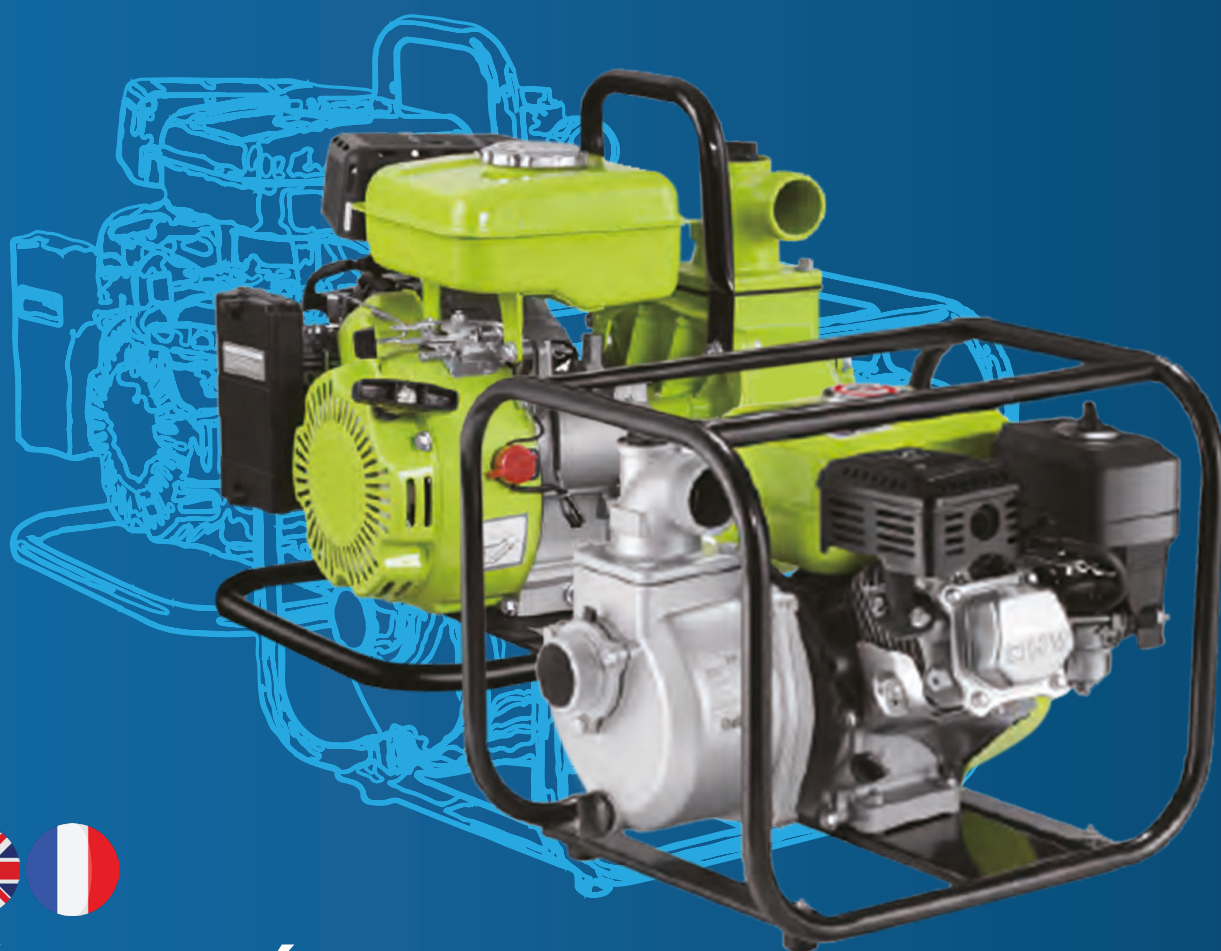
### SERIE

# ENG

### MOTOBOMBA DE GASOLINA

GASOLINE MOTOR PUMP

POMPE À EAU ESSENCE



## CATÁLOGO TÉCNICO

TECHNICAL CATALOGUE

CATALOGUE TECHNIQUE

## 1. DESCRIPCIÓN DESCRIPTION DESCRIPTION

Motobombas de combustible de bajo consumo. Útil para abastecimientos de agua y drenaje para fábricas, minas, así como para riego de campos, etc.

Nuevo diseño único con función ergonómica.

Bastidor de bomba portátil y compacto.

Impulsor diseñado con sistema hidráulico de alta eficiencia.

🇬🇧 Fuel-efficient motor pumps. Useful for water supply and drainage for factories, mines, as well as for irrigation of fields, etc.

New unique design with ergonomic function.

Portable and compact pump frame.

Impeller designed with high efficiency hydraulic system.

🇫🇷 Pompes à moteur à faible consommation de carburant. Utile pour l'alimentation en eau et le drainage des usines, des mines, ainsi que pour l'irrigation des champs, etc.

Nouvelle conception unique avec fonction ergonomique.

Châssis de pompe portable et compact.

Roue conçue avec un système hydraulique à haut rendement.



ENG25/40

### MATERIALES

**Llave de la bomba:** Aluminio

**Tube:** Aluminio

### 🇬🇧 MATERIALS

**Pump key:** Aluminium

**Tube:** Aluminium

### 🇫🇷 MATÉRIELS

**Clé de pompe:** Aluminium

**Tube:** Aluminium

### ÁREA DE TRABAJO

**Temperatura máx. del líquido:** 40°C

**Nivel de ruido:** 106dB (A)

**Combustible:** Gasolina

**Aceite:** SAE 15W-50

**Depósito:** 1,8L

### 🇬🇧 WORKING RANGE

**Max. liquid temperature:** 40°C

**Noise level:** 106dB (A)

**Fuel:** Petrol

**Oil:** SAE 15W-50

**Fuel tank:** 1,8L

### 🇫🇷 PLAGUE DE TRAVAIL

**Température max. du fluide :** 40°C

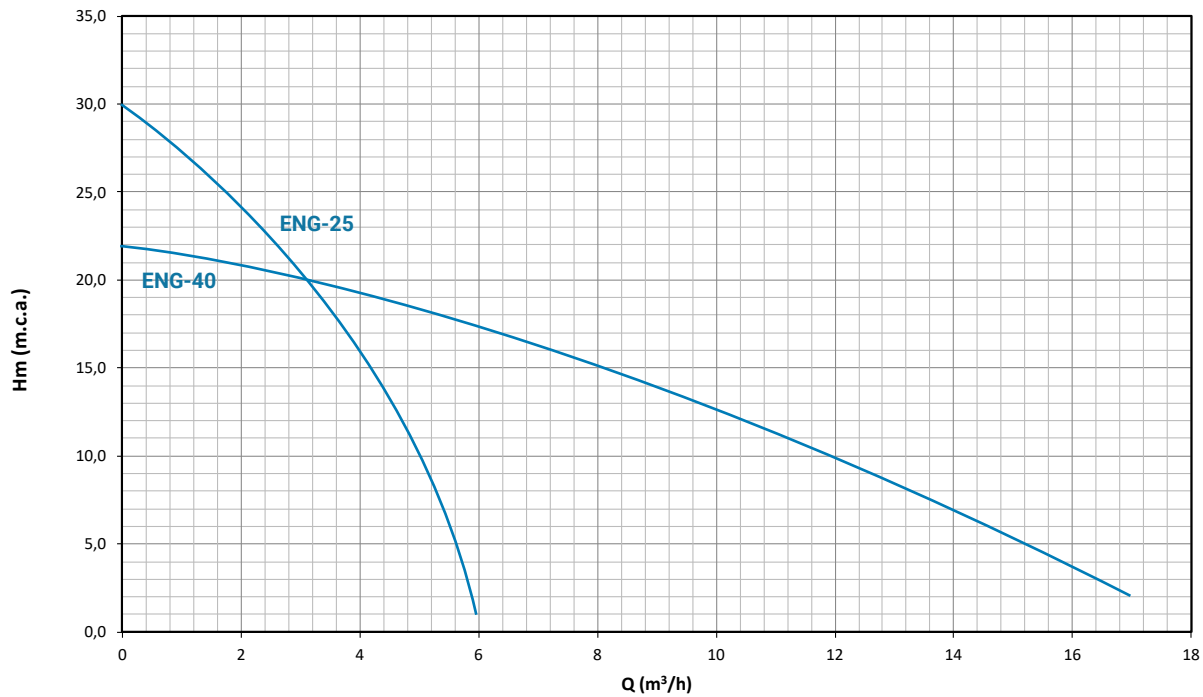
**Niveau sonore:** 106dB (A)

**Carburant:** Essence

**Huile:** SAE 15W-50

**Réservoir:** 1,8L

## 2. CURVAS CURVES COURBES



MODELO MODEL MODÈLE	P <sub>2</sub>		CAUDAL FLOW DÉBIT							
	kW	Hp	m³/h	1	3	6	9	12	15	17
ENG-25	1,8	2,4	0	16,7	50	100	150	200	250	283,3
ENG-40	1,8	2,4	0	16,7	50	100	150	200	250	283,3

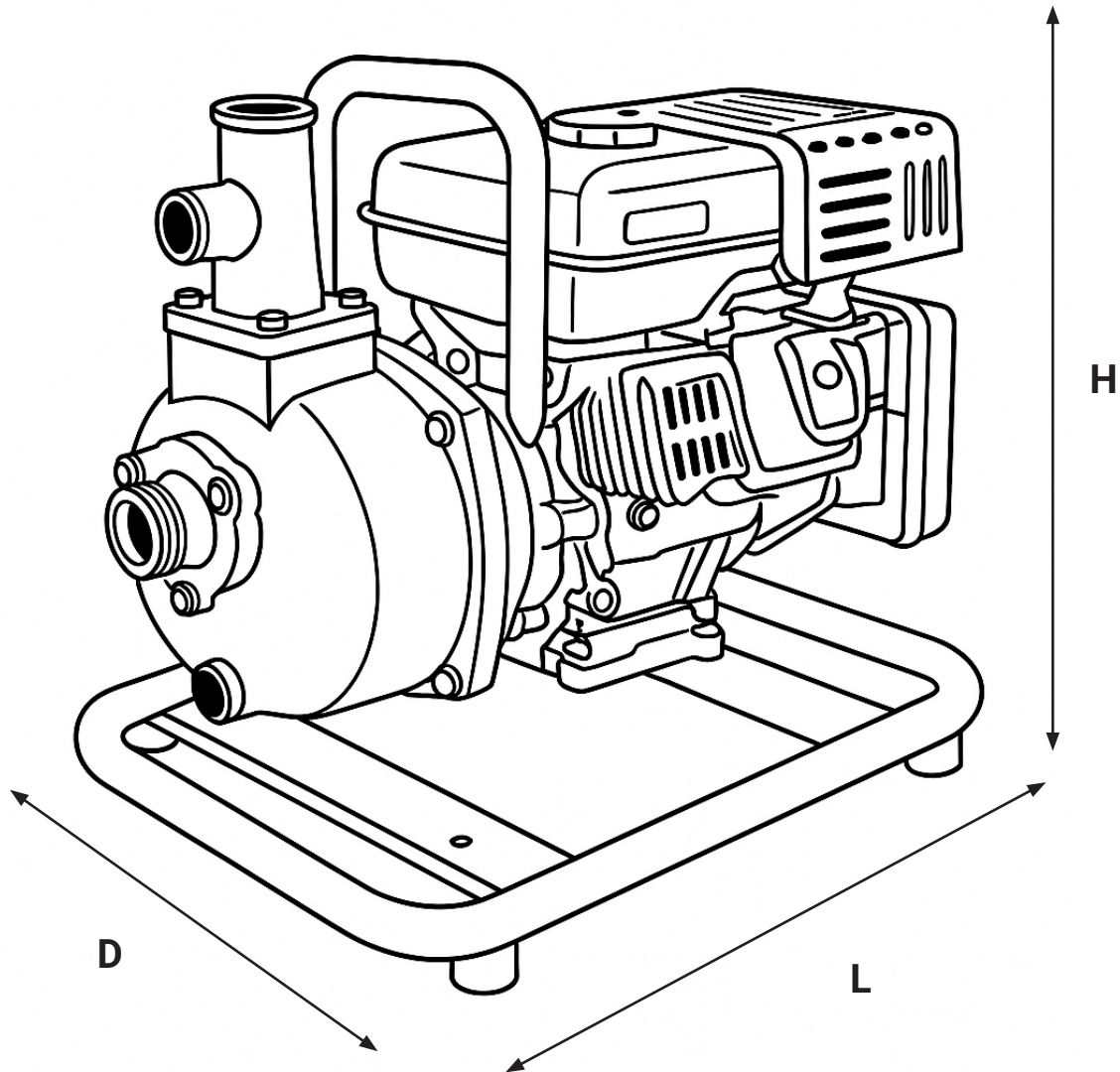
  

MODELO MODEL MODÈLE	P <sub>2</sub>		ALTURA DE CARGA EN METROS			LOADING HEIGHT IN METRES		HAUTEUR DE CHARGEMENT EN MÈTRES		
	kW	Hp	0	1	3	6	9	12	15	17
ENG-25	1,8	2,4	30	28	20	2				
ENG-40	1,8	2,4	22	21,5	20	17,3	14	10	5	2

## 3. CARACTERISTICAS CHARACTERISTICS CARACTÉRISTIQUES

MODELO MODEL MODÈLE	DN	P <sub>2</sub>		ALTURA MÁX. MAX HEIGHT HAUTEUR MAX	CAUDAL MÁX. MAX FLOW DÉBIT MAX	ASPIRACIÓN ASPIRATION ASPIRATION	MOTOR MOTOR MOTEUR		PESO WEIGHT POIDS	DIMENSIONES DIMENSIONS DIMENSIONS
	Ø"	kW	Hp	m	m³/h	m	Cilindrada	Tiempos	Kg	mm
ENG-25	1	1,8	2,4	30	7	7	80 cc	4	15,1	400*355*415
ENG-40	1 <sup>1/2</sup>	1,8	2,4	22	17	7	80 cc	4	15,6	440*355*415

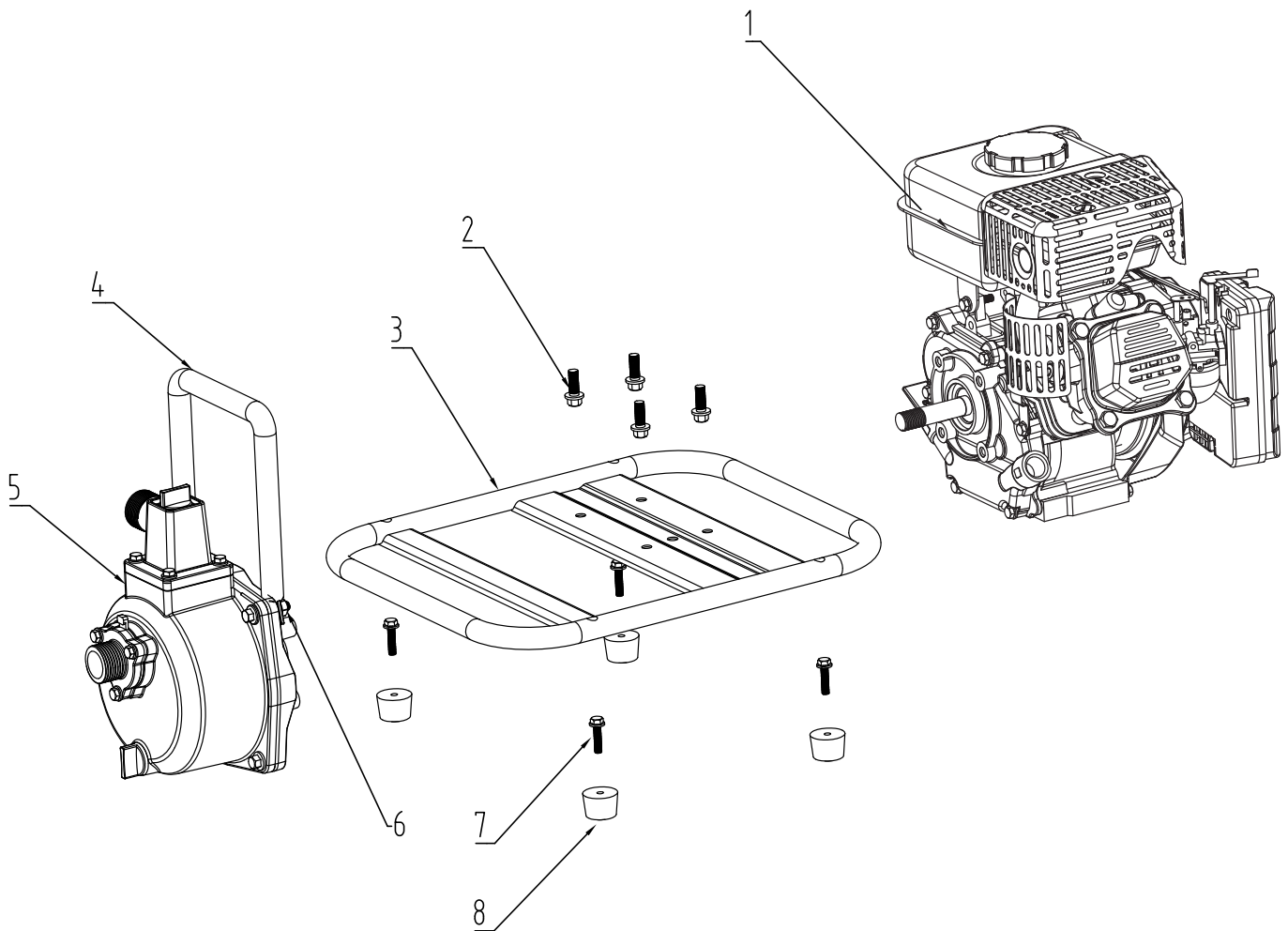
## 4. DIMENSIONES DIMENSIONS DIMENSIONS



MODELO MODEL MODÈLE	DN	L	D	H
	Ø"	mm	mm	mm
ENG-25	1	43	34	39,5
ENG-40	1 <sup>1/2</sup>	43	34	39,5

## 5. DESPIECE SPARE PARTS PIÈCES DE RECHANGE

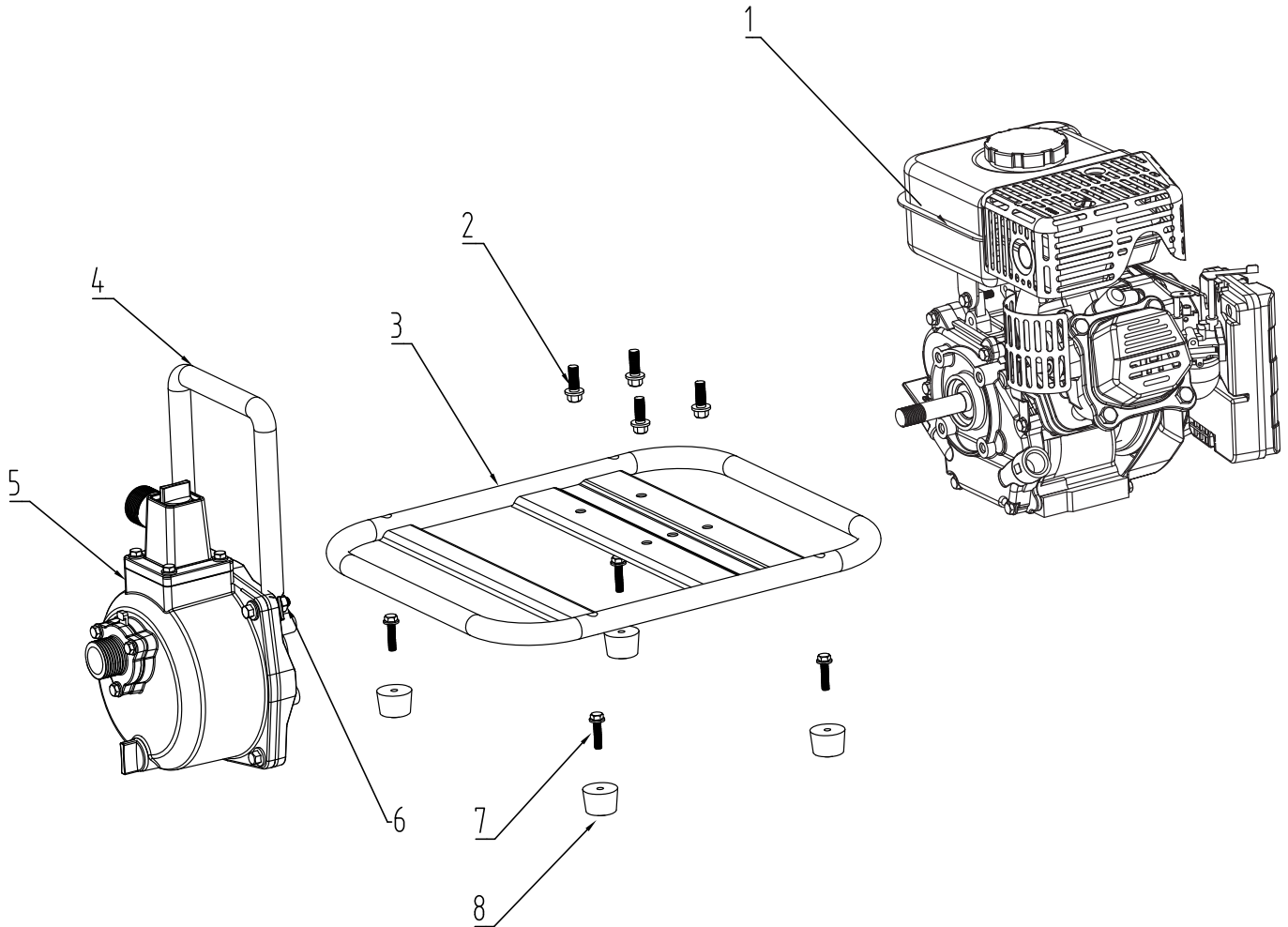
### 5.1 ENG-25 | VISTA GENERAL



Ref	Nº	Vista	Descripción
R09010101.1G	1	G	Motor de gasolina
R09010101.2G	2	G	Pie de máquina perno M8X22
R09010101.3G	3	G	Bastidor de la motobomba (tornillos y pies incluidos)
R09010101.4G	4	G	Mango
R09010101.5G	5	G	Bomba de agua
R09010101.6G	6	G	Tuerca M8
R09010101.7G	7	G	Tornillo de las patas M6X25
R09010101.8G	8	G	Pies de goma

## 5. DESPIECE SPARE PARTS PIÈCES DE RECHANGE

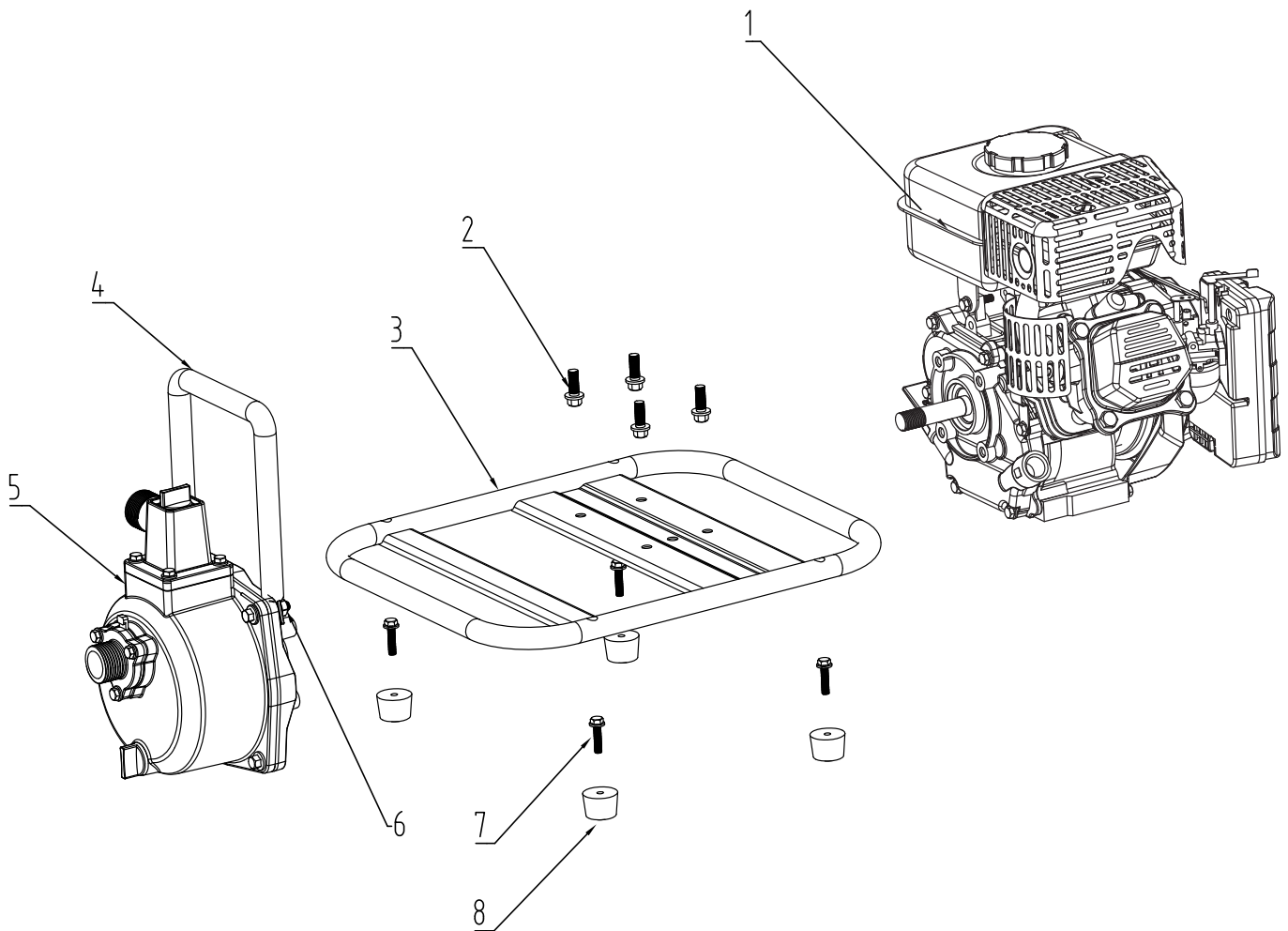
### 5.1 ENG-25 | GENERAL VIEW



Ref.	N°	View	Description
R09010101.1G	1	G	Gasoline engine
R09010101.2G	2	G	Machine feet bolt M8X22
R09010101.3G	3	G	Water pump frame
R09010101.4G	4	G	Handle
R09010101.5G	5	G	Water pump
R09010101.6G	6	G	Nut M8
R09010101.7G	7	G	RUBber feet bolt M6X25
R09010101.8G	8	G	Rubber feet

## 5. DESPIECE SPARE PARTS PIÈCES DE RECHANGE

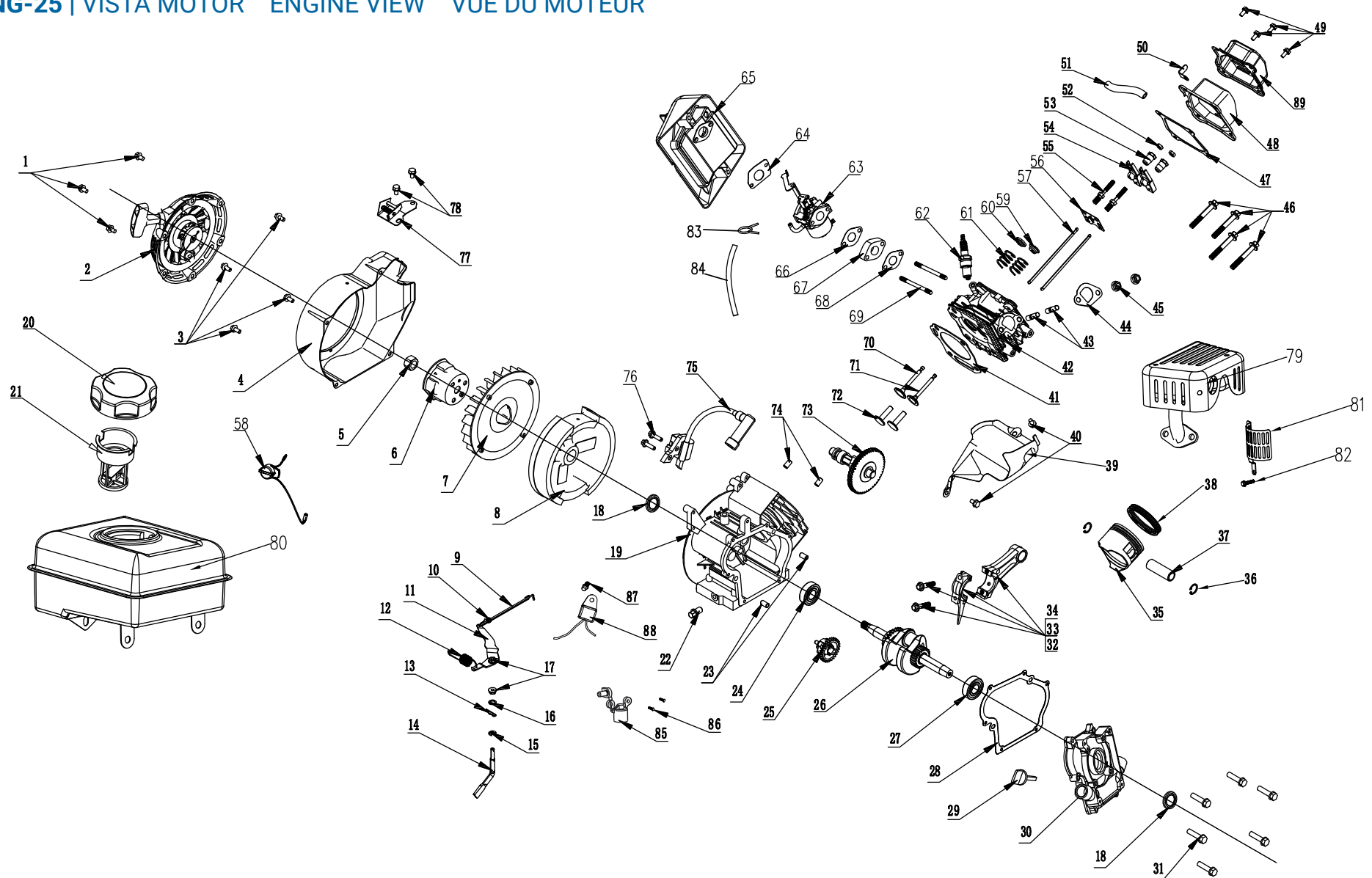
### 5.1 ENG-25 | VUE GÉNÉRALE



Ref.	N°	Voir	Description
R09010101.1G	1	G	Moteur à essence
R09010101.2G	2	G	Boulon de base de machine M8X22
R09010101.3G	3	G	Cadre de la pompe à eau
R09010101.4G	4	G	Poignée
R09010101.5G	5	G	Pompe à eau
R09010101.6G	6	G	Ecrou M8
R09010101.7G	7	G	Boulon de pied M6X25
R09010101.8G	8	G	Pieds en caoutchouc

## 5. DESPIECE SPARE PARTS PIÈCES DE RECHANGE

### 5.2 ENG-25 | VISTA MOTOR ENGINE VIEW VUE DU MOTEUR



## 5. DESPIECE SPARE PARTS PIÈCES DE RECHANGE

### 5.2 ENG-25 | VISTA MOTOR



Ref.	Nº	Vista	Descripción
R09010101.1M	1	M	Tornillo de brida M6x8
R09010101.2M	2	M	Arrancador
R09010101.3M	3	M	Perno de brida M6x12
R09010101.4M	4	M	Cubierta del ventilador
R09010101.5M	5	M	Tuerca del volante M12x1,25
R09010101.6M	6	M	Taza de arranque
R09010101.7M	7	M	Ventilador
R09010101.8M	8	M	Volante
R09010101.9M	9	M	Varilla del regulador
R09010101.10M	10	M	Muelle pequeño del regulador
R09010101.11M	11	M	Brazo del regulador
R09010101.12M	12	M	Muelle del regulador
R09010101.13M	13	M	Pasador de bloqueo
R09010101.14M	14	M	Palanca del regulador
R09010101.15M	15	M	Anillo de clip
R09010101.16M	16	M	Junta
R09010101.17M	17	M	Tuerca de brida M6
R09010101.18M	18	M	Retén de aceite
R09010101.19M	19	M	Cárter
R09010101.20M	20	M	Tapa del depósito
R09010101.21M	21	M	Colador
R09010101.22M	22	M	Tapón de drenaje
R09010101.23M	23	M	Pasador Ø8x14
R09010101.24M	24	M	Cojinete 6203
R09010101.25M	25	M	Engranaje del regulador
R09010101.26M	26	M	Cigüeñal
R09010101.27M	27	M	Cojinete 6303
R09010101.28M	28	M	Junta del cárter
R09010101.29M	29	M	Regla de aceite
R09010101.30M	30	M	Tapa del cárter
R09010101.31M	31	M	Brida Perno M6x28
R09010101.32M	32	M	Biela Perno
R09010101.33M	33	M	Tapa biela
R09010101.34M	34	M	Cuerpo biela
R09010101.35M	35	M	Pistón
R09010101.36M	36	M	Pasador del pistón
R09010101.37M	37	M	Pasador del pistón
R09010101.38M	38	M	Anillo del pistón
R09010101.39M	39	M	Tapa de la biela
R09010101.40M	40	M	Perno de brida M6x8
R09010101.41M	41	M	Junta de culata
R09010101.42M	42	M	Culata
R09010101.43M	43	M	Perno M8x32
R09010101.44M	44	M	Junta del tubo de escape

Ref.	Nº	Vista	Descripción
R09010101.45M	45	M	Tuerca M8
R09010101.46M	46	M	Tornillo de brida M8x55
R09010101.47M	47	M	Junta de la tapa de la culata
R09010101.48M	48	M	Tapa culata
R09010101.49M	49	M	Tornillo de brida M6x12
R09010101.50M	50	M	Bastidor fijo
R09010101.51M	51	M	Tubo respiradero
R09010101.52M	52	M	Tuerca balancín
R09010101.53M	53	M	Tuerca de ajuste del balancín
R09010101.54M	54	M	Balancín
R09010101.55M	55	M	Perno balancín
R09010101.56M	56	M	Barra de empuje
R09010101.57M	57	M	Barra de empuje
R09010101.58M	58	M	Interruptor On/Off
R09010101.59M	59	M	Retenedor del muelle de la válvula de escape
R09010101.60M	60	M	Retenedor del muelle de la válvula de admisión
R09010101.61M	61	M	Resorte de válvula
R09010101.62M	62	M	Bujía E7TC
R09010101.63M	63	M	Carburador
R09010101.64M	64	M	Junta del filtro de aire
R09010101.65M	65	M	Filtro de aire
R09010101.66M	66	M	Junta del carburador
R09010101.67M	67	M	Aislador del carburador
R09010101.68M	68	M	Junta aislante del carburador
R09010101.69M	69	M	Perno M6x90
R09010101.70M	70	M	Válvula de admisión
R09010101.71M	71	M	Válvula de escape
R09010101.72M	72	M	Levantaválvulas
R09010101.73M	73	M	Árbol de levas
R09010101.74M	74	M	Pasador Ø8x14
R09010101.75M	75	M	Bobina de encendido
R09010101.76M	76	M	Perno brida M6x20
R09010101.77M	77	M	Bastidor de velocidad
R09010101.78M	78	M	Perno brida M6x8
R09010101.79M	79	M	Silenciador
R09010101.80M	80	M	Depósito de combustible
R09010101.81M	81	M	Cubierta protectora
R09010101.82M	82	M	Brida Perno M6x12
R09010101.83M	83	M	Circlip del tubo de combustible
R09010101.84M	84	M	Tubo de combustible
R09010101.85M	85	M	Sensor de aceite
R09010101.86M	86	M	Brida Perno M6x12
R09010101.87M	87	M	Perno M6x10
R09010101.88M	88	M	Órgano de interdicción
R09010101.89M	89	M	Tapa de protección

## 5. DESPIECE SPARE PARTS PIÈCES DE RECHANGE

### 5.2 ENG-25 | ENGINE VIEW



Ref.	N°	View	Description
R09010101.1M	1	M	Flange Bolt M6x8
R09010101.2M	2	M	Recoil starter
R09010101.3M	3	M	Flange Bolt M6x12
R09010101.4M	4	M	Fan Cover
R09010101.5M	5	M	Flywheel Nut M12x1.25
R09010101.6M	6	M	Starting Cup
R09010101.7M	7	M	Fan
R09010101.8M	8	M	Flywheel
R09010101.9M	9	M	Governor Rod
R09010101.10M	10	M	Small Governor Spring
R09010101.11M	11	M	Governor Arm
R09010101.12M	12	M	Governor Spring
R09010101.13M	13	M	Lock pin
R09010101.14M	14	M	Governor Lever
R09010101.15M	15	M	Clip ring
R09010101.16M	16	M	Gasket
R09010101.17M	17	M	Flange Nut M6
R09010101.18M	18	M	Oil seal
R09010101.19M	19	M	Crankcase
R09010101.20M	20	M	Fuel Tank Cover
R09010101.21M	21	M	Strainer
R09010101.22M	22	M	Drain Plug
R09010101.23M	23	M	Pin Ø8x14
R09010101.24M	24	M	Bearing 6203
R09010101.25M	25	M	Governor Gear
R09010101.26M	26	M	Crankshaft
R09010101.27M	27	M	Bearing 6303
R09010101.28M	28	M	Crankcase Gasket
R09010101.29M	29	M	Oil ruler
R09010101.30M	30	M	Crankcase cover
R09010101.31M	31	M	Flange Bolt M6x28
R09010101.32M	32	M	Connecting rod Bolt
R09010101.33M	33	M	Connecting rod Cover
R09010101.34M	34	M	Connecting rod body
R09010101.35M	35	M	Piston
R09010101.36M	36	M	Piston pin clip
R09010101.37M	37	M	Piston pin
R09010101.38M	38	M	Piston ring
R09010101.39M	39	M	Lead Wind Cover
R09010101.40M	40	M	Flange Bolt M6x8
R09010101.41M	41	M	Cylinder head gasket
R09010101.42M	42	M	Cylinder head
R09010101.43M	43	M	Stud bolt M8x32
R09010101.44M	44	M	Exhaust pipe Gasket

Ref.	N°	View	Description
R09010101.45M	45	M	Nut M8
R09010101.46M	46	M	Flange Bolt M8x55
R09010101.47M	47	M	Cylinder head cover gasket
R09010101.48M	48	M	Cylinder head cover
R09010101.49M	49	M	Flange Bolt M6x12
R09010101.50M	50	M	Fixed frame
R09010101.51M	51	M	Breather tube
R09010101.52M	52	M	Rocker Nut
R09010101.53M	53	M	Rocker adjust Nut
R09010101.54M	54	M	Rocker arm
R09010101.55M	55	M	Rocker Bolt
R09010101.56M	56	M	Push-Rod Keep Frame
R09010101.57M	57	M	Push-Rod
R09010101.58M	58	M	On/Off Switch
R09010101.59M	59	M	Exhaust Valve Spring Retainer
R09010101.60M	60	M	Intake Valve Spring Retainer
R09010101.61M	61	M	Valve Spring
R09010101.62M	62	M	E7TC Sparkplug
R09010101.63M	63	M	Carburetor
R09010101.64M	64	M	Air cleaner gasket
R09010101.65M	65	M	Air Cleaner
R09010101.66M	66	M	Carburetor gasket
R09010101.67M	67	M	Carburetor Insulator
R09010101.68M	68	M	Carburetor Insulator Gasket
R09010101.69M	69	M	Stud Bolt M6x90
R09010101.70M	70	M	Intake Valve
R09010101.71M	71	M	Exhaust Valve
R09010101.72M	72	M	Valve Lifter
R09010101.73M	73	M	Camshaft
R09010101.74M	74	M	Pin Ø8x14
R09010101.75M	75	M	Ignition Coil
R09010101.76M	76	M	Flange Bolt M6x20
R09010101.77M	77	M	Speed frame
R09010101.78M	78	M	Flange Bolt M6x8
R09010101.79M	79	M	Muffler
R09010101.80M	80	M	Fuel tank
R09010101.81M	81	M	Protective cover
R09010101.82M	82	M	Flange Bolt M6x12
R09010101.83M	83	M	Fuel pipe circlip
R09010101.84M	84	M	Fuel pipe
R09010101.85M	85	M	Oil Sensor
R09010101.86M	86	M	Flange Bolt M6x12
R09010101.87M	87	M	M6x10 Bolt
R09010101.88M	88	M	Interdiction Organ
R09010101.89M	89	M	Guard cover

## 5. DESPIECE SPARE PARTS PIÈCES DE RECHANGE

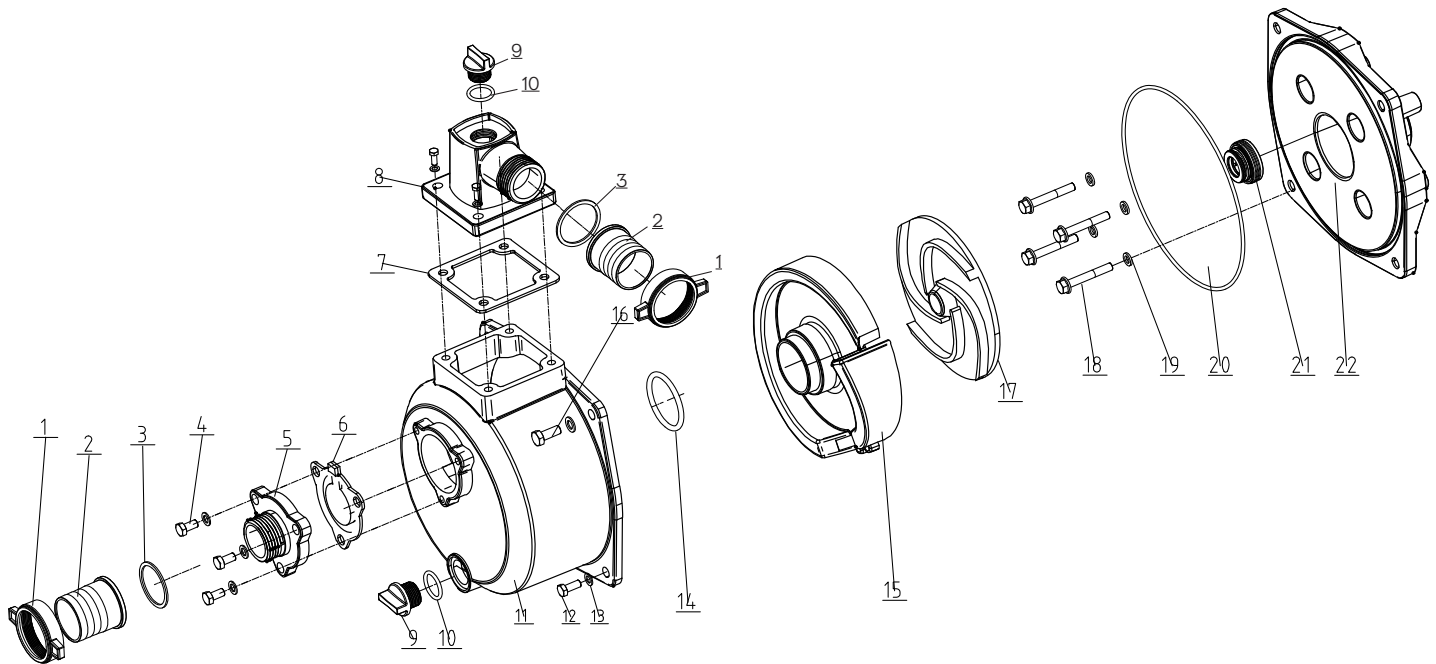
### 5.2 ENG-25 | VUE DU MOTEUR

Ref.	N°	Voir	Description
R09010101.1M	1	M	Boulon à bride M6×8
R09010101.2M	2	M	Démarrreur à rappel
R09010101.3M	3	M	Boulon à bride M6×12
R09010101.4M	4	M	Couvercle de ventilateur
R09010101.5M	5	M	Ecrou de volant d'inertie M12×1,25
R09010101.6M	6	M	Coupelle de démarrage
R09010101.7M	7	M	Ventilateur
R09010101.8M	8	M	Volant d'inertie
R09010101.9M	9	M	Tige du gouverneur
R09010101.10M	10	M	Petit ressort de gouverneur
R09010101.11M	11	M	Bras du gouverneur
R09010101.12M	12	M	Ressort du gouverneur
R09010101.13M	13	M	Goupille d'arrêt
R09010101.14M	14	M	Levier du gouverneur
R09010101.15M	15	M	Bague de serrage
R09010101.16M	16	M	Joint d'étanchéité
R09010101.17M	17	M	Ecrou à bride M6
R09010101.18M	18	M	Joint d'huile
R09010101.19M	19	M	Carter
R09010101.20M	20	M	Couvercle du réservoir de carburant
R09010101.21M	21	M	Crépine
R09010101.22M	22	M	Bouchon de vidange
R09010101.23M	23	M	Goupille Ø8×14
R09010101.24M	24	M	Roulement 6203
R09010101.25M	25	M	Engrenage du gouverneur
R09010101.26M	26	M	Vilebrequin
R09010101.27M	27	M	Roulement 6303
R09010101.28M	28	M	Joint de carter
R09010101.29M	29	M	Règle d'huile
R09010101.30M	30	M	Couvercle de carter
R09010101.31M	31	M	Boulon à bride M6×28
R09010101.32M	32	M	Boulon de bielle
R09010101.33M	33	M	Couvercle de bielle
R09010101.34M	34	M	Corps de la bielle
R09010101.35M	35	M	Piston
R09010101.36M	36	M	Clip d'axe de piston
R09010101.37M	37	M	Goupille de piston
R09010101.38M	38	M	Anneau de piston
R09010101.39M	39	M	Couvercle du vent de plomb
R09010101.40M	40	M	Boulon à bride M6×8
R09010101.41M	41	M	Joint de culasse
R09010101.42M	42	M	Tête de cylindre
R09010101.43M	43	M	Goujon M8×32
R09010101.44M	44	M	Joint de tuyau d'échappement

Ref.	N°	Voir	Description
R09010101.45M	45	M	Écrou M8
R09010101.46M	46	M	Boulon à bride M8×55
R09010101.47M	47	M	Joint de couvercle de culasse
R09010101.48M	48	M	Couvercle de culasse
R09010101.49M	49	M	Boulon à bride M6×12
R09010101.50M	50	M	Cadre fixe
R09010101.51M	51	M	Tube de reniflard
R09010101.52M	52	M	Écrou de culbuteur
R09010101.53M	53	M	Écrou de réglage de culbuteur
R09010101.54M	54	M	Culbuteur
R09010101.55M	55	M	Boulon de culbuteur
R09010101.56M	56	M	Cadre de maintien de tige de poussée
R09010101.57M	57	M	Tige de poussée
R09010101.58M	58	M	Interrupteur marche/arrêt
R09010101.59M	59	M	Retenue de ressort de soupape d'échappement
R09010101.60M	60	M	Retenue de ressort de soupape d'admission
R09010101.61M	61	M	Ressort de soupape
R09010101.62M	62	M	Bougie d'allumage E7TC
R09010101.63M	63	M	Carburateur
R09010101.64M	64	M	Joint de filtre à air
R09010101.65M	65	M	Filtre à air
R09010101.66M	66	M	Joint de carburateur
R09010101.67M	67	M	Isolant de carburateur
R09010101.68M	68	M	Joint d'isolant de carburateur
R09010101.69M	69	M	Boulon à goujon M6×90
R09010101.70M	70	M	Soupape d'admission
R09010101.71M	71	M	Soupape d'échappement
R09010101.72M	72	M	Lève-soupape
R09010101.73M	73	M	Arbre à cames
R09010101.74M	74	M	Goupille Ø8×14
R09010101.75M	75	M	Bobine d'allumage
R09010101.76M	76	M	Boulon à bride M6×20
R09010101.77M	77	M	Cadre de vitesse
R09010101.78M	78	M	Boulon à bride M6×8
R09010101.79M	79	M	Silencieux
R09010101.80M	80	M	Réservoir de carburant
R09010101.81M	81	M	Couvercle de protection
R09010101.82M	82	M	Boulon à bride M6×12
R09010101.83M	83	M	Circlip de tuyau de carburant
R09010101.84M	84	M	Tuyau de carburant
R09010101.85M	85	M	Capteur d'huile
R09010101.86M	86	M	Boulon à bride M6×12
R09010101.87M	87	M	Boulon M6×10
R09010101.88M	88	M	Organe d'interdiction
R09010101.89M	89	M	Couvercle de garde

## 5. DESPIECE SPARE PARTS PIÈCES DE RECHANGE

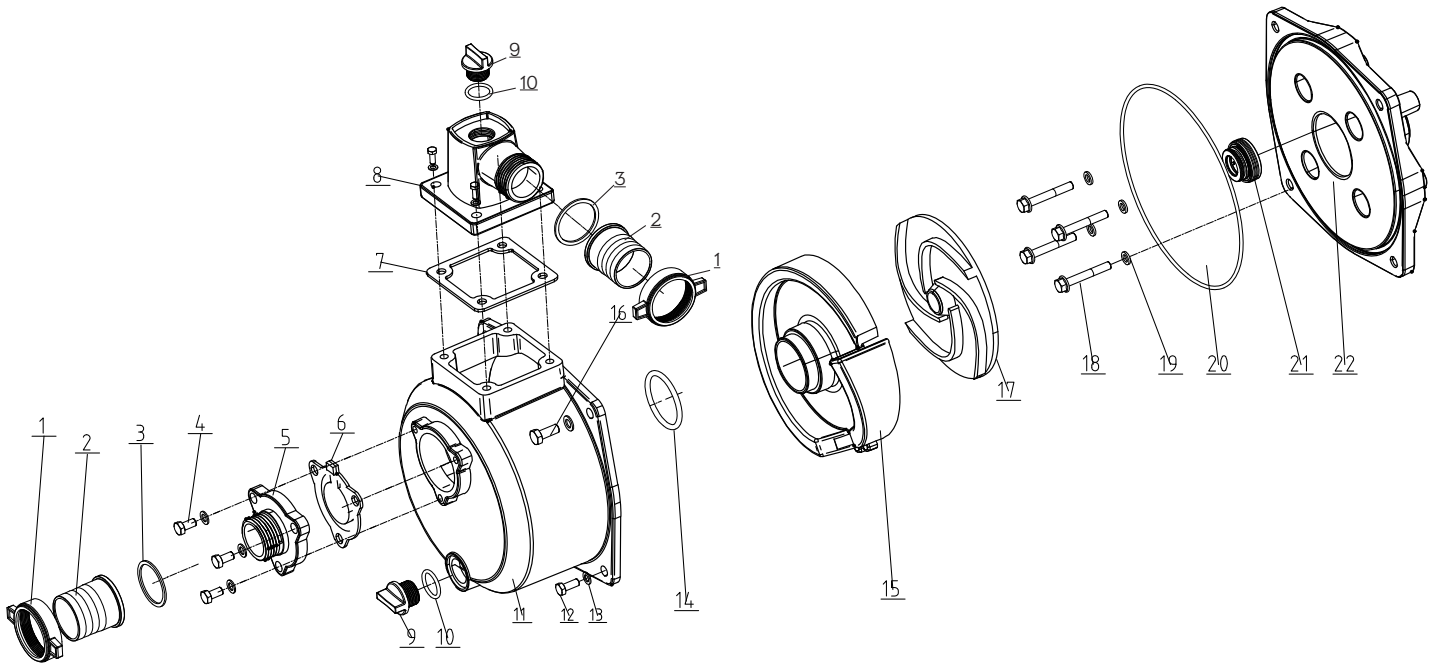
### 5.3 ENG-25 | VISTA BOMBA



Ref.	Nº	Vista	Descripción
R09010101.1B	1	B	Tuerca del prensaestopas de unión de tuberías
R09010101.2B	2	B	Unión de tuberías
R09010101.3B	3	B	Junta de junta de tubería
R09010101.4B	4	B	Perno M6X20
R09010101.5B	5	B	Brida de entrada de agua
R09010101.6B	6	B	Válvula de retención
R09010101.7B	7	B	Junta de brida de salida
R09010101.8B	8	B	Brida salida
R09010101.9B	9	B	Tornillo de drenaje
R09010101.10B	10	B	Anillo tornillo drenaje
R09010101.11B	11	B	Carcasa de bomba
R09010101.12B	12	B	Perno M8X22
R09010101.13B	13	B	Junta pequeña 10
R09010101.14B	14	B	Anillo de sellado tipo O-2
R09010101.15B	15	B	Difusor
R09010101.16B	16	B	Perno M8x35
R09010101.17B	17	B	Impulsor de bomba
R09010101.18B	18	B	Perno M8x50
R09010101.19B	19	B	junta de perno M8
R09010101.20B	20	B	Anillo de sellado tipo O-3
R09010101.21B	21	B	Sello de agua
R09010101.22B	22	B	Base de bomba

## 5. DESPIECE SPARE PARTS PIÈCES DE RECHANGE

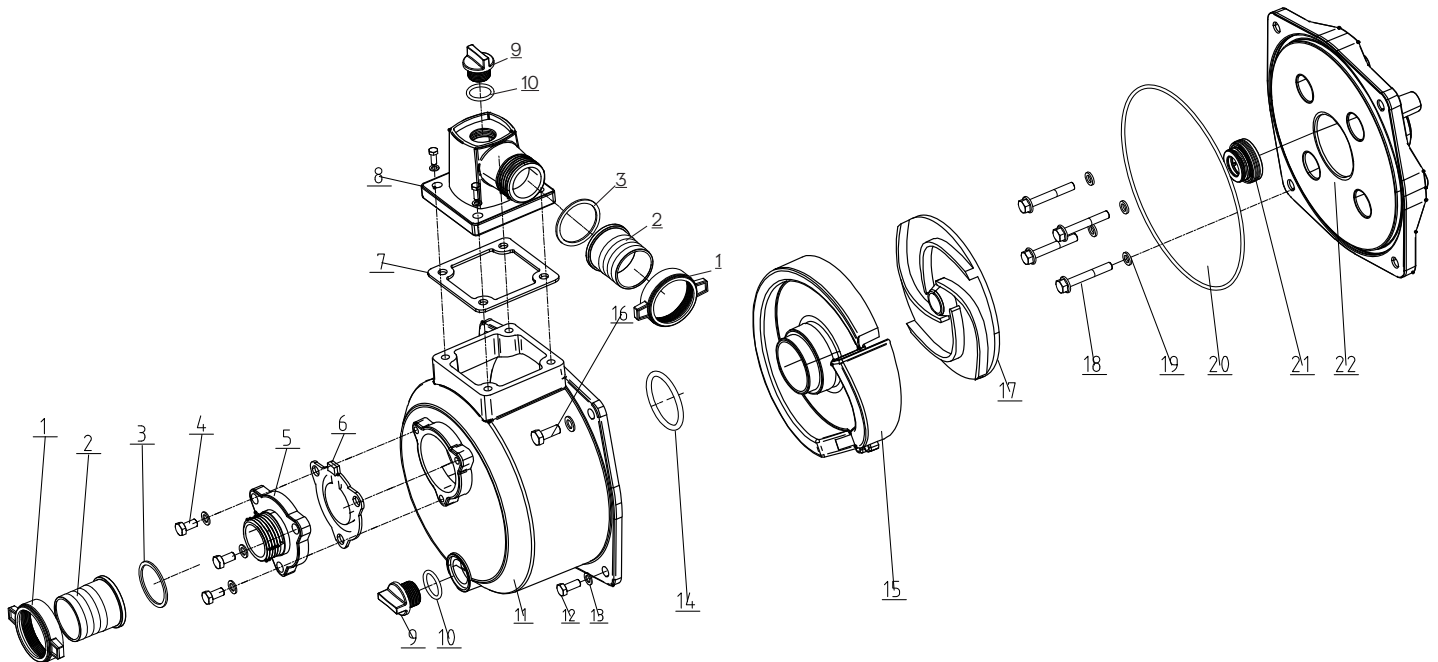
### 5.3 ENG-25 | PUMP VIEW



Ref.	N°	View	Description
R09010101.1B	1	B	Pipe joint gland nut
R09010101.2B	2	B	Pipe join
R09010101.3B	3	B	Pipe joint gasket
R09010101.4B	4	B	Bolt M6X20
R09010101.5B	5	B	Water inlet flange
R09010101.6B	6	B	Check valve
R09010101.7B	7	B	Oulet flange gasket
R09010101.8B	8	B	Discharge water joint
R09010101.9B	9	B	Drain screw
R09010101.10B	10	B	O-type sealing ring-1
R09010101.11B	11	B	Pump casing
R09010101.12B	12	B	Bolt M8X22
R09010101.13B	13	B	Small gasket 10
R09010101.14B	14	B	O-tpye sealing ring-2
R09010101.15B	15	B	Guide flow cover
R09010101.16B	16	B	M8x35 bolt
R09010101.17B	17	B	Pump impeller
R09010101.18B	18	B	M8x50 bolt
R09010101.19B	19	B	M8 bolt gasket
R09010101.20B	20	B	O-type sealing ring-3
R09010101.21B	21	B	Water seal
R09010101.22B	22	B	Pump base

## 5. DESPIECE SPARE PARTS PIÈCES DE RECHANGE

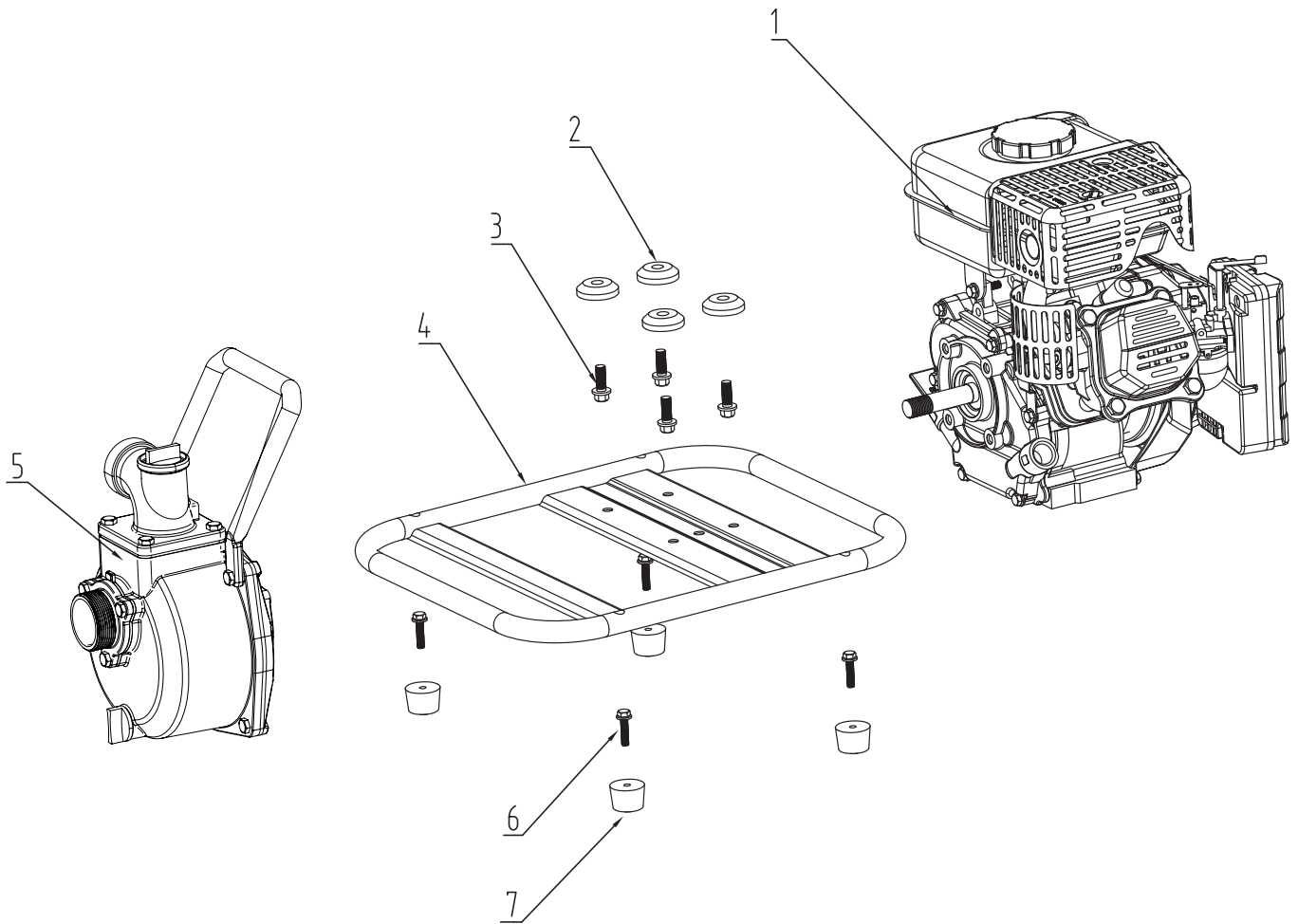
### 5.3 ENG-25 | VUE POMPE



Ref.	N°	Voir	Description
R09010101.1B	1	B	Écrou de presse-étoupe de joint de tuyau
R09010101.2B	2	B	Jonction de tuyaux
R09010101.3B	3	B	Joint de joint de tuyau
R09010101.4B	4	B	Boulon M6X20
R09010101.5B	5	B	Bride d'entrée d'eau
R09010101.6B	6	B	Clapet anti-retour
R09010101.7B	7	B	Joint de bride de sortie
R09010101.8B	8	B	Joint d'évacuation des eaux
R09010101.9B	9	B	Vis de vidange
R09010101.10B	10	B	Bague d'étanchéité de type O-1
R09010101.11B	11	B	Corps de pompe
R09010101.12B	12	B	Boulon M8X22
R09010101.13B	13	B	Petit joint 10
R09010101.14B	14	B	Bague d'étanchéité O-type-2
R09010101.15B	15	B	Couvercle de flux de guidage
R09010101.16B	16	B	Boulon M8x35
R09010101.17B	17	B	Roue de pompe
R09010101.18B	18	B	Boulon M8x50
R09010101.19B	19	B	Joint de boulon M8
R09010101.20B	20	B	Bague d'étanchéité de type O-3
R09010101.21B	21	B	Joint d'eau
R09010101.22B	22	B	Socle de pompe

## 5. DESPIECE SPARE PARTS PIÈCES DE RECHANGE

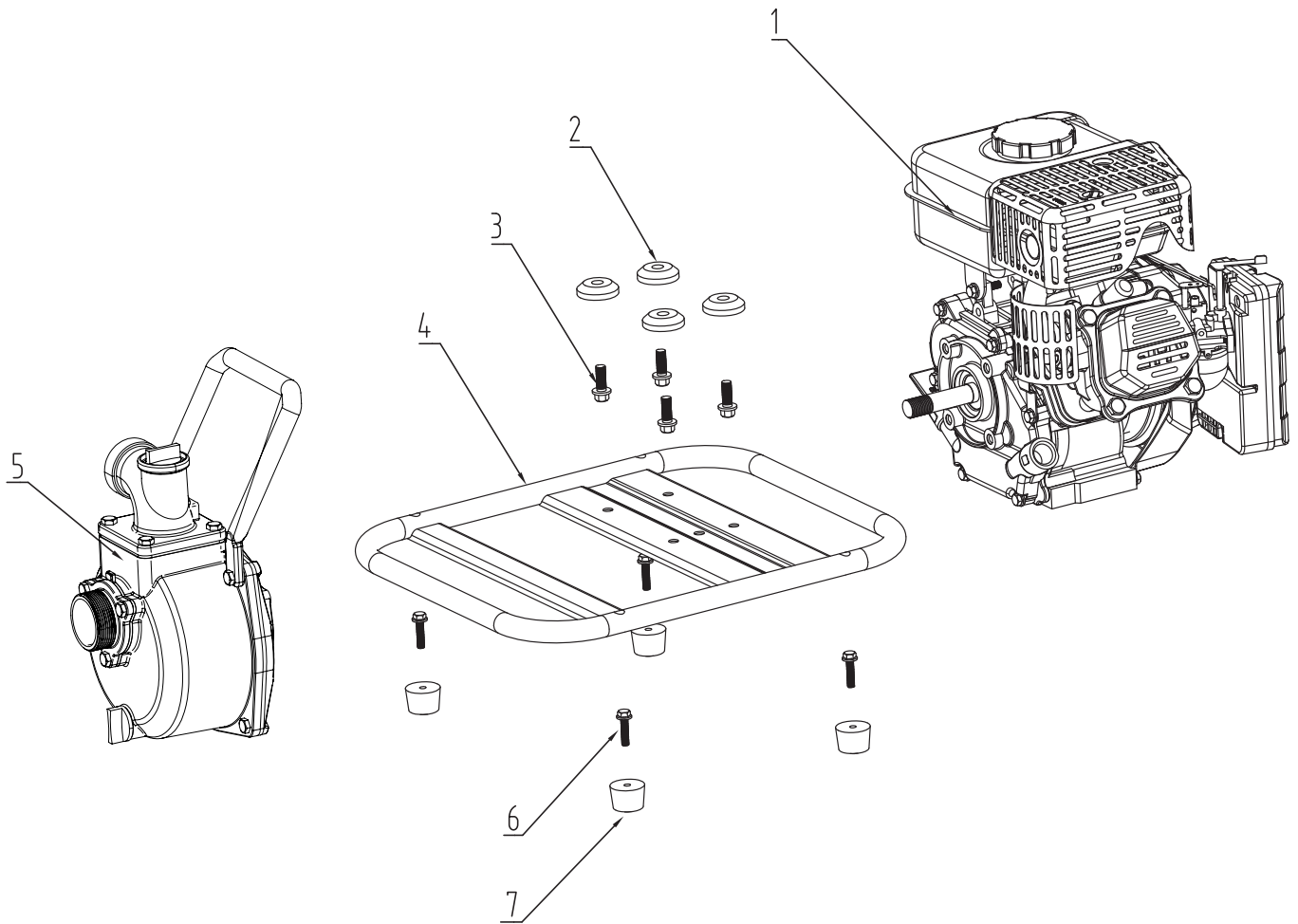
### 5.1 ENG-40 | VISTA GENERAL



Ref.	Nº	Vista	Descripción
R09010102.1G	1	G	Motor de gasolina
R09010102.2G	2	G	Junta de goma para motor de gasolina
R09010102.3G	3	G	Perno pies máquina M8X22
R09010101.3GV1	4	G	Bastidor de motobomba (tornillos y pies incluidos)
R09010102.5G	5	G	Bomba de agua
R09010102.6G	6	G	Perno pies de goma M6X25
R09010102.7G	7	G	Pies de goma

## 5. DESPIECE SPARE PARTS PIÈCES DE RECHANGE

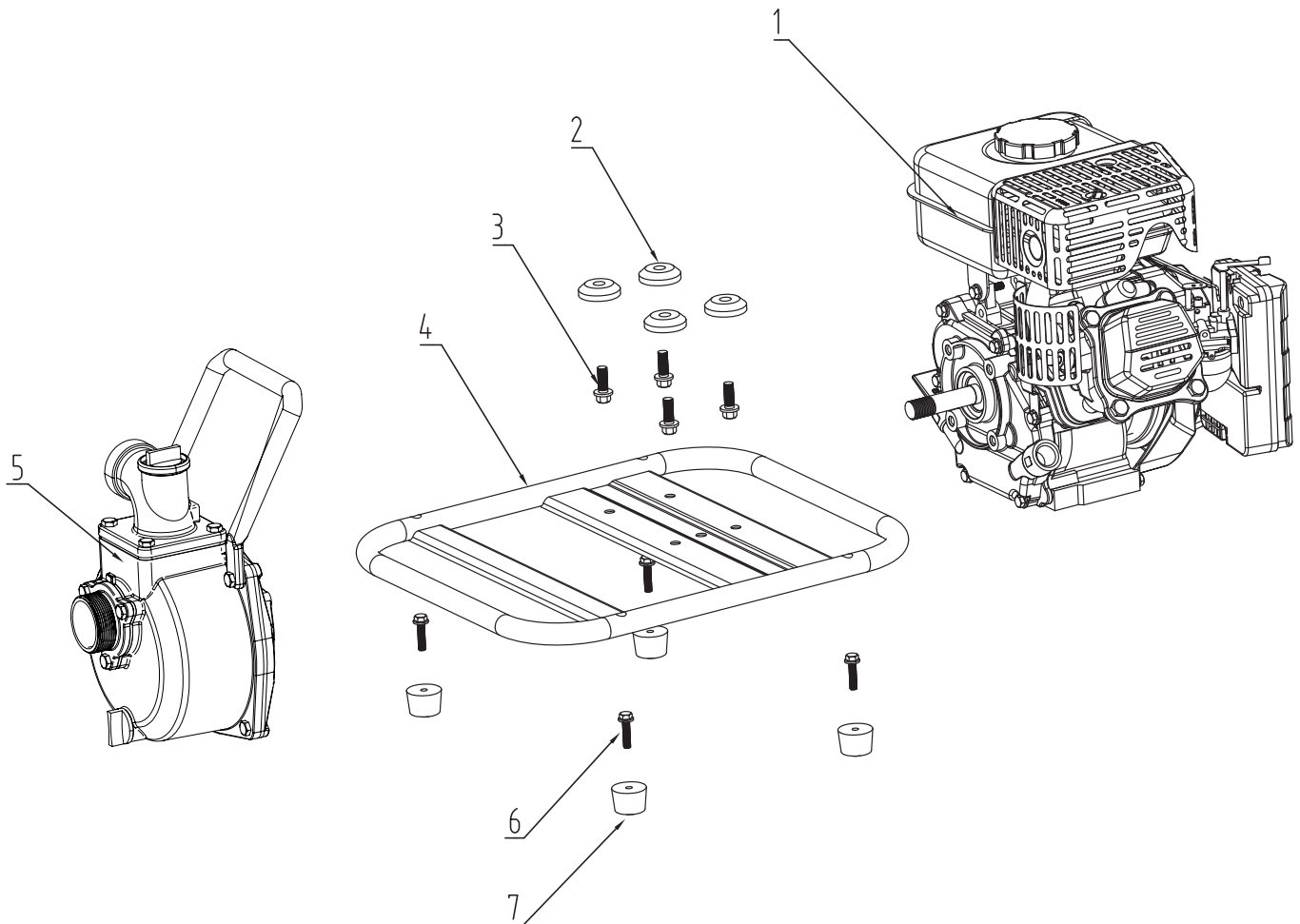
### 5.1 ENG-40 | GENERAL VIEW



Ref.	Nº	View	Description
R09010102.1G	1	G	Gasoline engine
R09010102.2G	2	G	Gasoline engine rubber gasket
R09010102.3G	3	G	Machine feet bolt M8X22
R09010101.3GV1	4	G	Water pump frame
R09010102.5G	5	G	Water pump
R09010102.6G	6	G	Rubber feet bolt M6X25
R09010102.7G	7	G	Rubber feet

## 5. DESPIECE SPARE PARTS PIÈCES DE RECHANGE

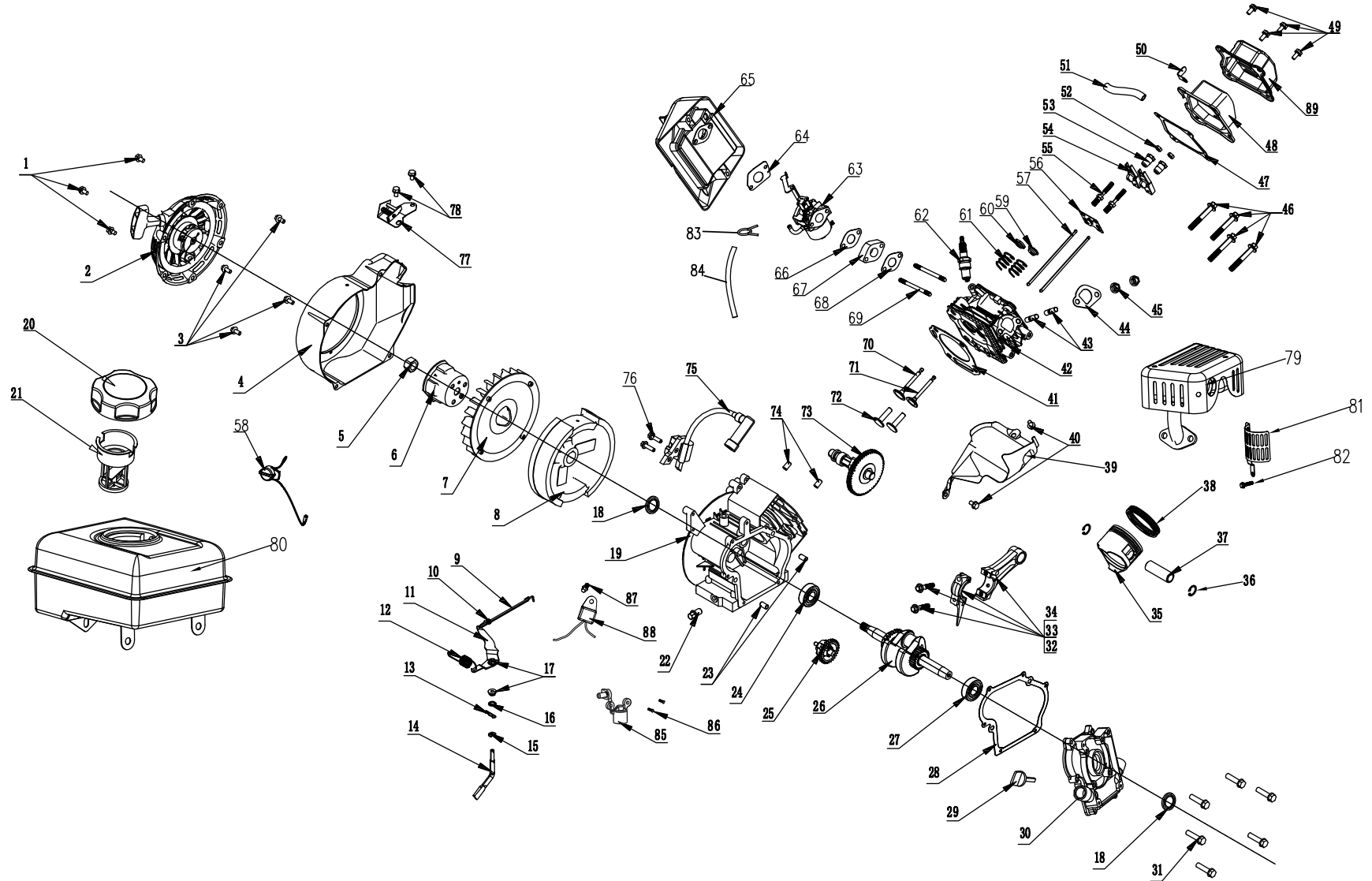
### 5.1 ENG-40 | VUE GÉNÉRALE



Ref.	N°	Voir	Description
R09010102.1G	1	G	Moteur à essence
R09010102.2G	2	G	Moteur à essence Joint en caoutchouc
R09010102.3G	3	G	Boulon de pied de machine M8X22
R09010101.3GV1	4	G	Châssis de pompe à eau
R09010102.5G	5	G	Pompe à eau
R09010102.6G	6	G	Boulon de pieds en caoutchouc M6X25
R09010102.7G	7	G	Pieds en caoutchouc

## 5. DESPIECE SPARE PARTS PIÈCES DE RECHANGE

### 5.2 ENG-40 | VISTA MOTOR ENGINE VIEW VUE DU MOTEUR



## 5. DESPIECE SPARE PARTS PIÈCES DE RECHANGE

### 5.2 ENG-40 | VISTA MOTOR



Ref.	Nº	Vista	Descripción
R09010101.1MV1	1	M	Tornillo de brida M6×8
R09010101.2MV1	2	M	Arrancador
R09010101.3MV1	3	M	Perno de brida M6×12
R09010101.4MV1	4	M	Cubierta del ventilador
R09010101.5MV1	5	M	Tuerca del volante M12×1,25
R09010101.6MV1	6	M	Taza de arranque
R09010101.7MV1	7	M	Ventilador
R09010101.8MV1	8	M	Volante
R09010101.9MV1	9	M	Varilla del regulador
R09010101.10MV1	10	M	Muelle pequeño del regulador
R09010101.11MV1	11	M	Brazo del regulador
R09010101.12MV1	12	M	Muelle del regulador
R09010101.13MV1	13	M	Pasador de bloqueo
R09010101.14MV1	14	M	Palanca del regulador
R09010101.15MV1	15	M	Anillo de clip
R09010101.16MV1	16	M	Junta
R09010101.17MV1	17	M	Tuerca de brida M6
R09010101.18MV1	18	M	Retén de aceite
R09010101.19MV1	19	M	Cárter
R09010101.20MV1	20	M	Tapa del depósito
R09010101.21MV1	21	M	Colador
R09010101.22MV1	22	M	Tapón de drenaje
R09010101.23MV1	23	M	Pasador Ø8×14
R09010101.24MV1	24	M	Cojinete 6203
R09010101.25MV1	25	M	Engranaje del regulador
R09010101.26MV1	26	M	Cigüeñal
R09010101.27MV1	27	M	Cojinete 6303
R09010101.28MV1	28	M	Junta del cárter
R09010101.29MV1	29	M	Regla de aceite
R09010101.30MV1	30	M	Tapa del cárter
R09010101.31MV1	31	M	Brida Perno M6×28
R09010101.32MV1	32	M	Biela Perno
R09010101.33MV1	33	M	Tapa biela
R09010101.34MV1	34	M	Cuerpo biela
R09010101.35MV1	35	M	Pistón
R09010101.36MV1	36	M	Pasador del pistón
R09010101.37MV1	37	M	Pasador del pistón
R09010101.38MV1	38	M	Anillo del pistón
R09010101.39MV1	39	M	Tapa de la biela
R09010101.40MV1	40	M	Perno de brida M6×8
R09010101.41MV1	41	M	Junta de culata
R09010101.42MV1	42	M	Culata
R09010101.43MV1	43	M	Perno M8×32
R09010101.44MV1	44	M	Junta del tubo de escape

Ref.	Nº	Vista	Descripción
R09010101.45MV1	45	M	Tuerca M8
R09010101.46MV1	46	M	Tornillo de brida M8×55
R09010101.47MV1	47	M	Junta de la tapa de la culata
R09010101.48MV1	48	M	Tapa culata
R09010101.49MV1	49	M	Tornillo de brida M6×12
R09010101.50MV1	50	M	Bastidor fijo
R09010101.51MV1	51	M	Tubo respiradero
R09010101.52MV1	52	M	Tuerca balancín
R09010101.53MV1	53	M	Tuerca de ajuste del balancín
R09010101.54MV1	54	M	Balancín
R09010101.55MV1	55	M	Perno balancín
R09010101.56MV1	56	M	Barra de empuje
R09010101.57MV1	57	M	Barra de empuje
R09010101.58MV1	58	M	Interruptor On/Off
R09010101.59MV1	59	M	Retenedor del muelle de la válvula de escape
R09010101.60MV1	60	M	Retenedor del muelle de la válvula de admisión
R09010101.61MV1	61	M	Resorte de válvula
R09010101.62MV1	62	M	Bujía E7TC
R09010101.63MV1	63	M	Carburador
R09010101.64MV1	64	M	Junta del filtro de aire
R09010101.65MV1	65	M	Filtro de aire
R09010101.66MV1	66	M	Junta del carburador
R09010101.67MV1	67	M	Aislador del carburador
R09010101.68MV1	68	M	Junta aislante del carburador
R09010101.69MV1	69	M	Perno M6×90
R09010101.70MV1	70	M	Válvula de admisión
R09010101.71MV1	71	M	Válvula de escape
R09010101.72MV1	72	M	Levantaválvulas
R09010101.73MV1	73	M	Árbol de levas
R09010101.74MV1	74	M	Pasador Ø8×14
R09010101.75MV1	75	M	Bobina de encendido
R09010101.76MV1	76	M	Perno brida M6×20
R09010101.77MV1	77	M	Bastidor de velocidad
R09010101.78MV1	78	M	Perno brida M6×8
R09010101.79MV1	79	M	Silenciador
R09010101.80MV1	80	M	Depósito de combustible
R09010101.81MV1	81	M	Cubierta protectora
R09010101.82MV1	82	M	Brida Perno M6×12
R09010101.83MV1	83	M	Circlip del tubo de combustible
R09010101.84MV1	84	M	Tubo de combustible
R09010101.85MV1	85	M	Sensor de aceite
R09010101.86MV1	86	M	Brida Perno M6×12
R09010101.87MV1	87	M	Perno M6×10
R09010101.88MV1	88	M	Órgano de interdicción
R09010101.89MV1	89	M	Tapa de protección

## 5. DESPIECE SPARE PARTS PIÈCES DE RECHANGE

### 5.2 ENG-40 | ENGINE VIEW



Ref	N°	View	Description
R09010101.1MV1	1	M	Flange Bolt M6x8
R09010101.2MV1	2	M	Recoil starter
R09010101.3MV1	3	M	Flange Bolt M6x12
R09010101.4MV1	4	M	Fan Cover
R09010101.5MV1	5	M	Flywheel Nut M12x1.25
R09010101.6MV1	6	M	Starting Cup
R09010101.7MV1	7	M	Fan
R09010101.8MV1	8	M	Flywheel
R09010101.9MV1	9	M	Governor Rod
R09010101.10MV1	10	M	Small Governor Spring
R09010101.11MV1	11	M	Governor Arm
R09010101.12MV1	12	M	Governor Spring
R09010101.13MV1	13	M	Lock pin
R09010101.14MV1	14	M	Governor Lever
R09010101.15MV1	15	M	Clip ring
R09010101.16MV1	16	M	Gasket
R09010101.17MV1	17	M	Flange Nut M6
R09010101.18MV1	18	M	Oil seal
R09010101.19MV1	19	M	Crankcase
R09010101.20MV1	20	M	Fuel Tank Cover
R09010101.21MV1	21	M	Strainer
R09010101.22MV1	22	M	Drain Plug
R09010101.23MV1	23	M	Pin Ø8x14
R09010101.24MV1	24	M	Bearing 6203
R09010101.25MV1	25	M	Governor Gear
R09010101.26MV1	26	M	Crankshaft
R09010101.27MV1	27	M	Bearing 6303
R09010101.28MV1	28	M	Crankcase Gasket
R09010101.29MV1	29	M	Oil ruler
R09010101.30MV1	30	M	Crankcase cover
R09010101.31MV1	31	M	Flange Bolt M6x28
R09010101.32MV1	32	M	Connecting rod Bolt
R09010101.33MV1	33	M	Connecting rod Cover
R09010101.34MV1	34	M	Connecting rod body
R09010101.35MV1	35	M	Piston
R09010101.36MV1	36	M	Piston pin clip
R09010101.37MV1	37	M	Piston pin
R09010101.38MV1	38	M	Piston ring
R09010101.39MV1	39	M	Lead Wind Cover
R09010101.40MV1	40	M	Flange Bolt M6x8
R09010101.41MV1	41	M	Cylinder head gasket
R09010101.42MV1	42	M	Cylinder head
R09010101.43MV1	43	M	Stud bolt M8x32
R09010101.44MV1	44	M	Exhaust pipe Gasket

Ref.	N°	View	Description
R09010101.45MV1	45	M	Nut M8
R09010101.46MV1	46	M	Flange Bolt M8x55
R09010101.47MV1	47	M	Cylinder head cover gasket
R09010101.48MV1	48	M	Cylinder head cover
R09010101.49MV1	49	M	Flange Bolt M6x12
R09010101.50MV1	50	M	Fixed frame
R09010101.51MV1	51	M	Breather tube
R09010101.52MV1	52	M	Rocker Nut
R09010101.53MV1	53	M	Rocker adjust Nut
R09010101.54MV1	54	M	Rocker arm
R09010101.55MV1	55	M	Rocker Bolt
R09010101.56MV1	56	M	Push-Rod Keep Frame
R09010101.57MV1	57	M	Push-Rod
R09010101.58MV1	58	M	On/Off Switch
R09010101.59MV1	59	M	Exhaust Valve Spring Retainer
R09010101.60MV1	60	M	Intake Valve Spring Retainer
R09010101.61MV1	61	M	Valve Spring
R09010101.62MV1	62	M	E7TC Sparkplug
R09010101.63MV1	63	M	Carburetor
R09010101.64MV1	64	M	Air cleaner gasket
R09010101.65MV1	65	M	Air Cleaner
R09010101.66MV1	66	M	Carburetor gasket
R09010101.67MV1	67	M	Carburetor Insulator
R09010101.68MV1	68	M	Carburetor Insulator Gasket
R09010101.69MV1	69	M	Stud Bolt M6x90
R09010101.70MV1	70	M	Intake Valve
R09010101.71MV1	71	M	Exhaust Valve
R09010101.72MV1	72	M	Valve Lifter
R09010101.73MV1	73	M	Camshaft
R09010101.74MV1	74	M	Pin Ø8x14
R09010101.75MV1	75	M	Ignition Coil
R09010101.76MV1	76	M	Flange Bolt M6x20
R09010101.77MV1	77	M	Speed frame
R09010101.78MV1	78	M	Flange Bolt M6x8
R09010101.79MV1	79	M	Muffler
R09010101.80MV1	80	M	Fuel tank
R09010101.81MV1	81	M	Protective cover
R09010101.82MV1	82	M	Flange Bolt M6x12
R09010101.83MV1	83	M	Fuel pipe circlip
R09010101.84MV1	84	M	Fuel pipe
R09010101.85MV1	85	M	Oil Sensor
R09010101.86MV1	86	M	Flange Bolt M6x12
R09010101.87MV1	87	M	M6x10 Bolt
R09010101.88MV1	88	M	Interdiction Organ
R09010101.89MV1	89	M	Guard cover

## 5. DESPIECE SPARE PARTS PIÈCES DE RECHANGE

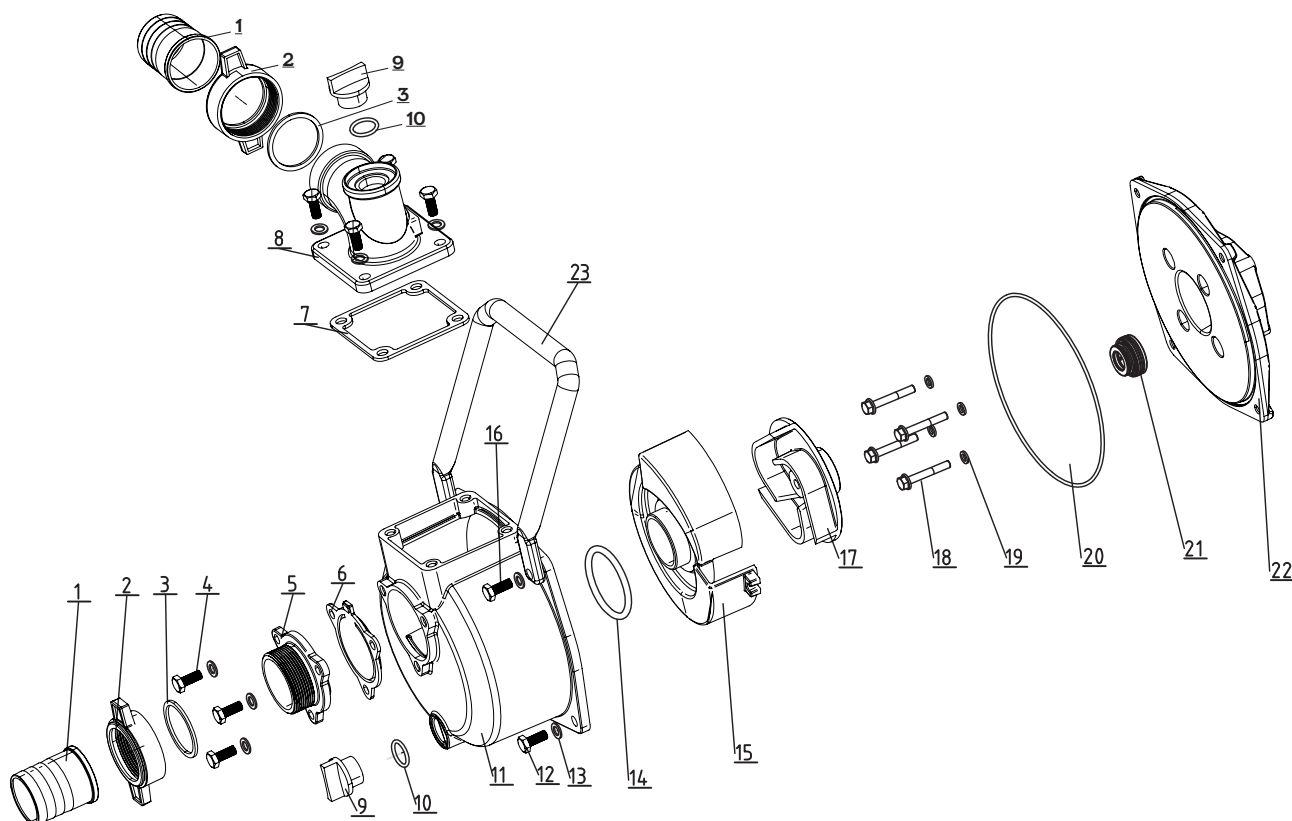
### 5.2 ENG-40 | VUE DU MOTEUR

Ref	N°	Voir	Description
R09010101.1MV1	1	M	Boulon à bride M6x8
R09010101.2MV1	2	M	Démarrateur à rappel
R09010101.3MV1	3	M	Boulon à bride M6x12
R09010101.4MV1	4	M	Couvercle de ventilateur
R09010101.5MV1	5	M	Écrou de volant d'inertie M12x1,25
R09010101.6MV1	6	M	Coupelle de démarrage
R09010101.7MV1	7	M	Ventilateur
R09010101.8MV1	8	M	Volant d'inertie
R09010101.9MV1	9	M	Tige du gouverneur
R09010101.10MV1	10	M	Petit ressort de gouverneur
R09010101.11MV1	11	M	Bras du gouverneur
R09010101.12MV1	12	M	Ressort du gouverneur
R09010101.13MV1	13	M	Goupille d'arrêt
R09010101.14MV1	14	M	Levier du gouverneur
R09010101.15MV1	15	M	Bague de serrage
R09010101.16MV1	16	M	Joint d'étanchéité
R09010101.17MV1	17	M	Écrou à bride M6
R09010101.18MV1	18	M	Joint d'huile
R09010101.19MV1	19	M	Carter
R09010101.20MV1	20	M	Couvercle du réservoir de carburant
R09010101.21MV1	21	M	Crépine
R09010101.22MV1	22	M	Bouchon de vidange
R09010101.23MV1	23	M	Goupille Ø8x14
R09010101.24MV1	24	M	Roulement 6203
R09010101.25MV1	25	M	Engrenage du gouverneur
R09010101.26MV1	26	M	Vilebrequin
R09010101.27MV1	27	M	Roulement 6303
R09010101.28MV1	28	M	Joint de carter
R09010101.29MV1	29	M	Règle d'huile
R09010101.30MV1	30	M	Couvercle de carter
R09010101.31MV1	31	M	Boulon à bride M6x28
R09010101.32MV1	32	M	Boulon de bielle
R09010101.33MV1	33	M	Couvercle de bielle
R09010101.34MV1	34	M	Corps de la bielle
R09010101.35MV1	35	M	Piston
R09010101.36MV1	36	M	Clip d'axe de piston
R09010101.37MV1	37	M	Goupille de piston
R09010101.38MV1	38	M	Anneau de piston
R09010101.39MV1	39	M	Couvercle du vent de plomb
R09010101.40MV1	40	M	Boulon à bride M6x8
R09010101.41MV1	41	M	Joint de culasse
R09010101.42MV1	42	M	Tête de cylindre
R09010101.43MV1	43	M	Goujon M8x32
R09010101.44MV1	44	M	Joint de tuyau d'échappement

Ref.	N°	Voir	Description
R09010101.45MV1	45	M	Écrou M8
R09010101.46MV1	46	M	Boulon à bride M8x55
R09010101.47MV1	47	M	Joint de couvercle de culasse
R09010101.48MV1	48	M	Couvercle de culasse
R09010101.49MV1	49	M	Boulon à bride M6x12
R09010101.50MV1	50	M	Cadre fixe
R09010101.51MV1	51	M	Tube de reniflard
R09010101.52MV1	52	M	Écrou de culbuteur
R09010101.53MV1	53	M	Écrou de réglage de culbuteur
R09010101.54MV1	54	M	Culbuteur
R09010101.55MV1	55	M	Boulon de culbuteur
R09010101.56MV1	56	M	Cadre de maintien de tige de poussée
R09010101.57MV1	57	M	Tige de poussée
R09010101.58MV1	58	M	Interrupteur marche/arrêt
R09010101.59MV1	59	M	Retenue de ressort de soupape d'échappement
R09010101.60MV1	60	M	Retenue de ressort de soupape d'admission
R09010101.61MV1	61	M	Ressort de soupape
R09010101.62MV1	62	M	Bougie d'allumage E7TC
R09010101.63MV1	63	M	Carburateur
R09010101.64MV1	64	M	Joint de filtre à air
R09010101.65MV1	65	M	Filtre à air
R09010101.66MV1	66	M	Joint de carburateur
R09010101.67MV1	67	M	Isolant de carburateur
R09010101.68MV1	68	M	Joint d'isolant de carburateur
R09010101.69MV1	69	M	Boulon à goujon M6x90
R09010101.70MV1	70	M	Soupape d'admission
R09010101.71MV1	71	M	Soupape d'échappement
R09010101.72MV1	72	M	Lève-soupape
R09010101.73MV1	73	M	Arbre à cames
R09010101.74MV1	74	M	Goupille Ø8x14
R09010101.75MV1	75	M	Bobine d'allumage
R09010101.76MV1	76	M	Boulon à bride M6x20
R09010101.77MV1	77	M	Cadre de vitesse
R09010101.78MV1	78	M	Boulon à bride M6x8
R09010101.79MV1	79	M	Silencieux
R09010101.80MV1	80	M	Réservoir de carburant
R09010101.81MV1	81	M	Couvercle de protection
R09010101.82MV1	82	M	Boulon à bride M6x12
R09010101.83MV1	83	M	Circlip de tuyau de carburant
R09010101.84MV1	84	M	Tuyau de carburant
R09010101.85MV1	85	M	Capteur d'huile
R09010101.86MV1	86	M	Boulon à bride M6x12
R09010101.87MV1	87	M	Boulon M6x10
R09010101.88MV1	88	M	Organe d'interdiction
R09010101.89MV1	89	M	Couvercle de garde

## 5. DESPIECE SPARE PARTS PIÈCES DE RECHANGE

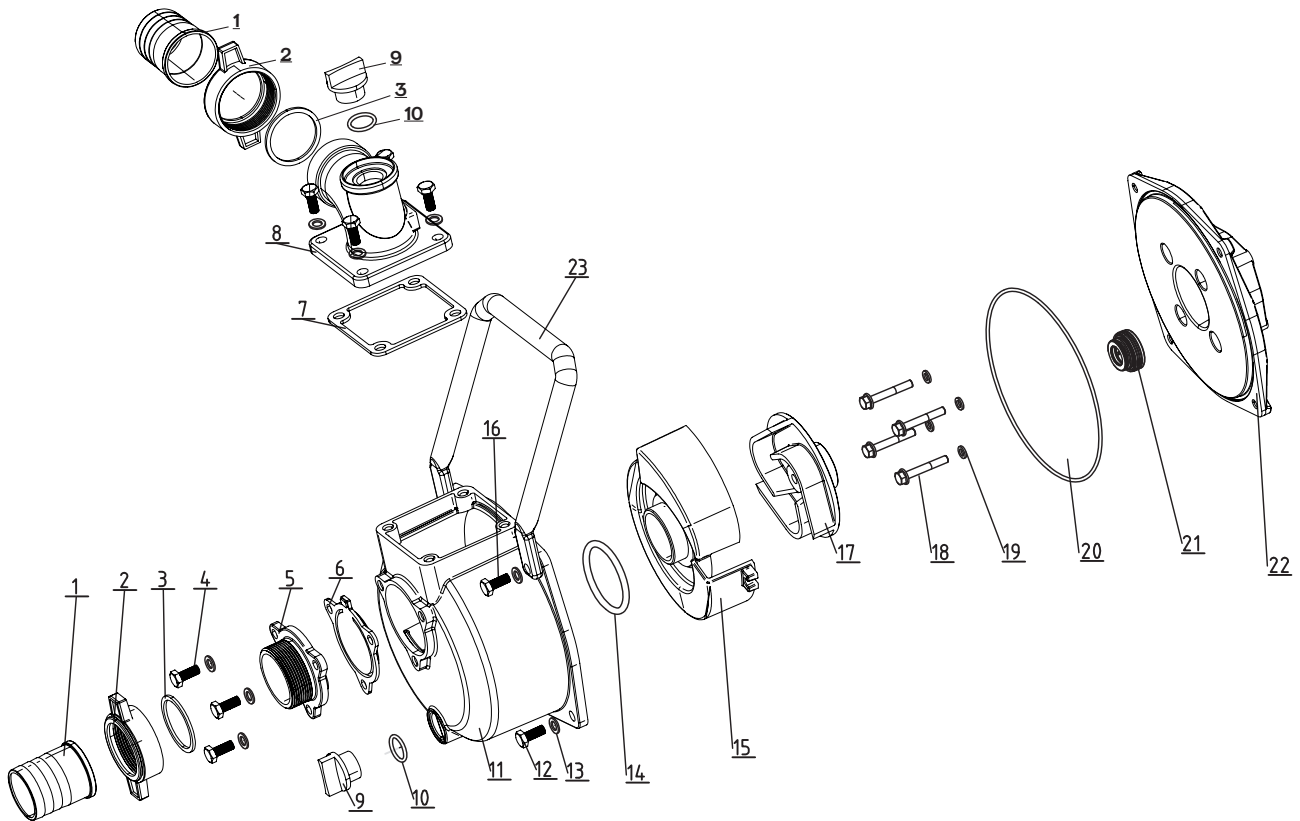
### 5.3 ENG-40 | VISTA BOMBA



Ref.	Nº	Vista	Descripción
R09010102.1B	1	B	Unión de tubería
R09010102.2B	2	B	Tuerca de la unión de tubería
R09010102.3B	3	B	Junta de la unión de tubería
R09010102.4B	4	B	Perno M8x20
R09010102.5B	5	B	Brida de entrada de agua
R09010102.6B	6	B	Válvula de retención
R09010102.7B	7	B	Junta de la brida de salida
R09010102.8B	8	B	Brida de salida
R09010102.9B	9	B	Tornillo de drenaje
R09010102.10B	10	B	Anillo tronillo drenaje
R09010102.11B	11	B	Carcasa de la bomba
R09010102.12B	12	B	Perno M8x22
R09010102.13B	13	B	Junta pequeña 10
R09010102.14B	14	B	Anillo de sellado tipo O-2
R09010102.15B	15	B	Difusor
R09010102.16B	16	B	Perno M8x35
R09010102.17B	17	B	Impulsor de la bomba
R09010102.18B	18	B	Perno M8x50
R09010102.19B	19	B	Junta de perno M8
R09010102.20B	20	B	Anillo de sellado tipo O-3
R09010101.21BV1	21	B	Cierre mecánico
R09010102.22B	22	B	Base de la bomba
R09010102.23B	23	B	Asa

## 5. DESPIECE SPARE PARTS PIÈCES DE RECHANGE

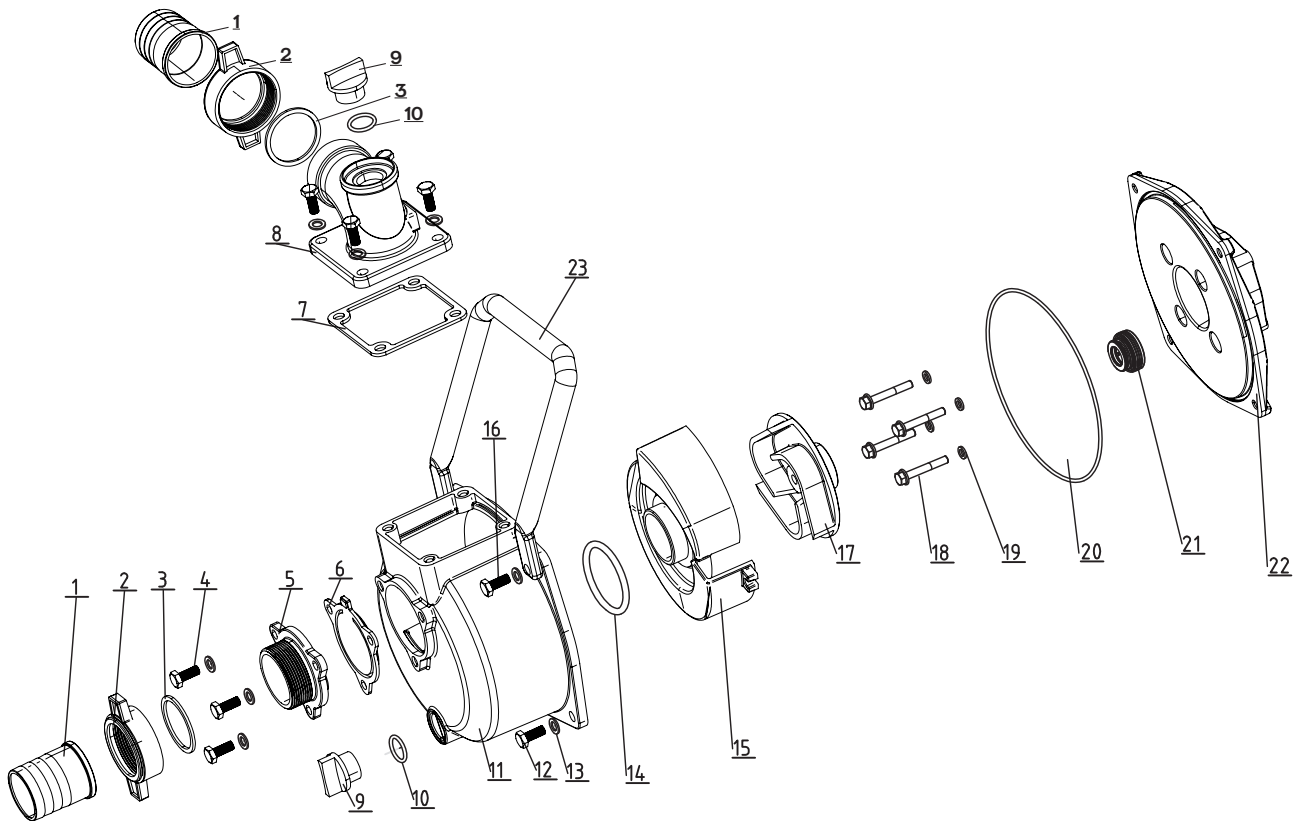
### 5.3 ENG-40 | PUMP VIEW



Ref.	N°	View	Description
R09010102.1B	1	B	Pipe joint
R09010102.2B	2	B	Pipe joint gland nut
R09010102.3B	3	B	pipe joint gasket
R09010102.4B	4	B	Bolt M8x20
R09010102.5B	5	B	Water inlet flange
R09010102.6B	6	B	Check valve
R09010102.7B	7	B	Outlet flange gasket
R09010102.8B	8	B	Discharge water joint
R09010102.9B	9	B	Drain screw
R09010102.10B	10	B	O-type sealing ring-1
R09010102.11B	11	B	Pump casing
R09010102.12B	12	B	Bolt M8x22
R09010102.13B	13	B	Small gasket 10
R09010102.14B	14	B	O-type sealing ring-2
R09010102.15B	15	B	Guido flow cover
R09010102.16B	16	B	M8x35 bolt
R09010102.17B	17	B	Pump impeller
R09010102.18B	18	B	M8x50 bolt
R09010102.19B	19	B	M8 bolt gasket
R09010102.20B	20	B	O-type sealing ring-3
R09010101.21BV1	21	B	Water seal
R09010102.22B	22	B	Pump base
R09010102.23B	23	B	Handle

## 5. DESPIECE SPARE PARTS PIÈCES DE RECHANGE

### 5.3 ENG-40 | VUE POMPE



Ref	N°	Voir	Description
R09010102.1B	1	B	Union de tuyau
R09010102.2B	2	B	Écrou de la union de tuyau
R09010102.3B	3	B	Joint de la union de tuyau
R09010102.4B	4	B	Boulon M8x20
R09010102.5B	5	B	Bride d'entrée d'eau
R09010102.6B	6	B	Clapet de non-retour
R09010102.7B	7	B	Joint de la bride de sortie
R09010102.8B	8	B	Union de décharge d'eau
R09010102.9B	9	B	Vis de vidange
R09010102.10B	10	B	Joint torique type O-1
R09010102.11B	11	B	Carter de la pompe
R09010102.12B	12	B	Boulon M8x22
R09010102.13B	13	B	Petit joint 10
R09010102.14B	14	B	Joint torique type O-2
R09010102.15B	15	B	Couvercle de flux Guido
R09010102.16B	16	B	Boulon M8x35
R09010102.17B	17	B	Impeller de la pompe
R09010102.18B	18	B	Boulon M8x50
R09010102.19B	19	B	Joint de boulon M8
R09010102.20B	20	B	Joint torique type O-3
R09010101.21BV1	21	B	Joint d'eau
R09010102.22B	22	B	Base de la pompe
R09010102.23B	23	B	Poignée

## 1. DESCRIPCIÓN DESCRIPTION DESCRIPTION

Motobombas de combustible de bajo consumo. Útil para abastecimientos de agua y drenaje para fábricas, minas, así como para riego de campos, etc.

Nuevo diseño único con función ergonómica.

Bastidor de bomba portátil y compacto.

Impulsor diseñado con sistema hidráulico de alta eficiencia.

🌸 Fuel-efficient motor pumps. Useful for water supply and drainage for factories, mines, as well as for irrigation of fields, etc.

New unique design with ergonomic function.

Portable and compact pump frame.

Impeller designed with high efficiency hydraulic system.

🇫🇷 Pompes à moteur à faible consommation de carburant. Utile pour l'alimentation en eau et le drainage des usines, des mines, ainsi que pour l'irrigation des champs, etc.

Nouvelle conception unique avec fonction ergonomique.

Châssis de pompe portable et compact.

Roue conçue avec un système hydraulique à haut rendement.



ENG50/ENG80

### MATERIALES

**Llave de la bomba:** Aluminio

**Tube:** Aluminio

### 🌸 MATERIALS

**Pump key:** Aluminium

**Tube:** Aluminium

### 🇫🇷 MATÉRIELS

**Clé de pompe:** Aluminium

**Tube:** Aluminium

### ÁREA DE TRABAJO

**Temperatura máx. del líquido:** 40°C

**Nivel de ruido:** 106dB (A)

**Combustible:** Gasolina

**Aceite:** SAE 15W-50

**Depósito:** 3,6L

### 🌸 WORKING RANGE

**Max. liquid temperature:** 40°C

**Noise level:** 106dB (A)

**Fuel:** Petrol

**Oil:** SAE 15W-40

**Fuel tank:** 3,6L

### 🇫🇷 PLAGUE DE TRAVAIL

**Température max. du fluide :** 40°C

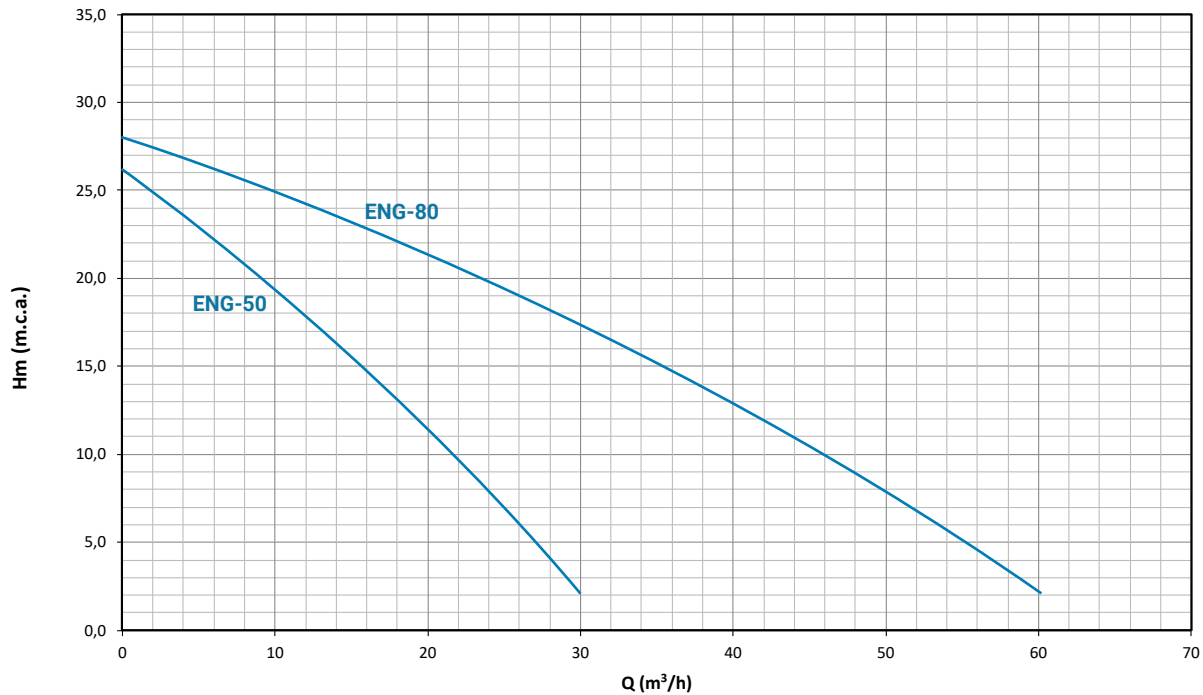
**Niveau sonore:** 106dB (A)

**Carburant:** Essence

**Huile:** SAE 15W-50

**Réservoir:** 3,6L

## 2. CURVAS CURVES COURBES

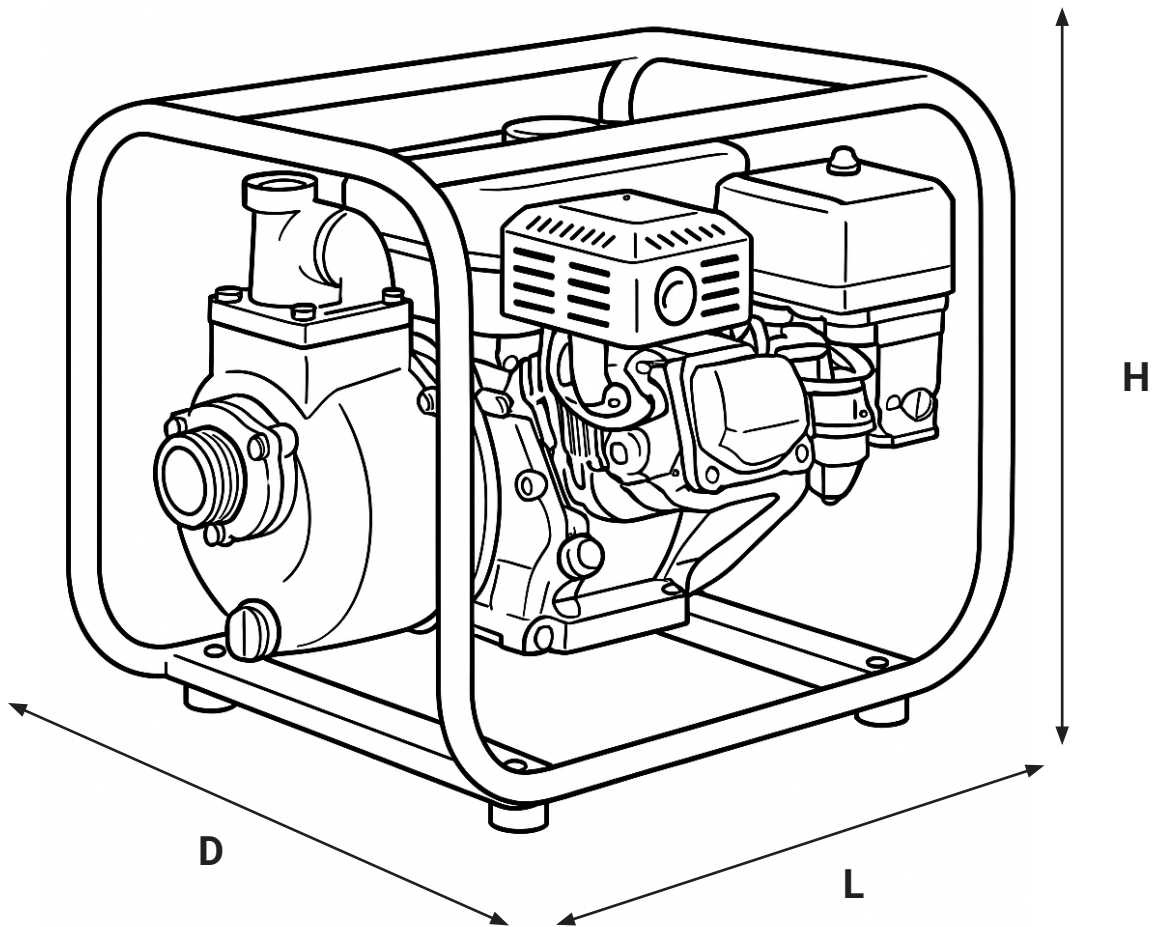


MODELO MODEL MODÈLE	P <sub>2</sub>		CAUDAL FLOW DÉBIT										
	kW	Hp	m³/h	0	5	10	15	20	25	30	40	50	60
ENG-50	5,2	7,0	l/min	0	83,3	166,7	250	333,3	416,7	500	666,7	833,4	1000
MODELO MODEL MODÈLE	P <sub>2</sub>		ALTURA DE CARGA EN METROS			LOADING HEIGHT IN METRES			HAUTEUR DE CHARGEMENT EN MÈTRES				
	kW	Hp	26	23	19,5	15,5	11,4	7	2	17,2	13	8	2
ENG-80	5,2	7,0	28	26,5	25	23	21,3	19,5	17,2	13	8	2	

## 3. CARACTERISTICAS CHARACTERISTICS CARACTÉRISTIQUES

MODELO MODEL MODÈLE	DN	P <sub>2</sub>		ALTURA MÁX. MAX HEIGHT HAUTEUR MAX	CAUDAL MÁX. MAX FLOW DÉBIT MAX	ASPIRACIÓN ASPIRATION ASPIRATION	MOTOR MOTOR MOTEUR		PESO WEIGHT POIDS	DIMENSIONES DIMENSIONS DIMENSIONS
	ø"	kW	Hp	m	m³/h	m	Cilindrada	Tiempos	Kg	mm
ENG-50	2	5,2	7,0	26	33	7	212 cc	4	22,0	480*380*400
ENG-80	3	5,2	7,0	28	60	7	212 cc	4	24,0	510*380*415

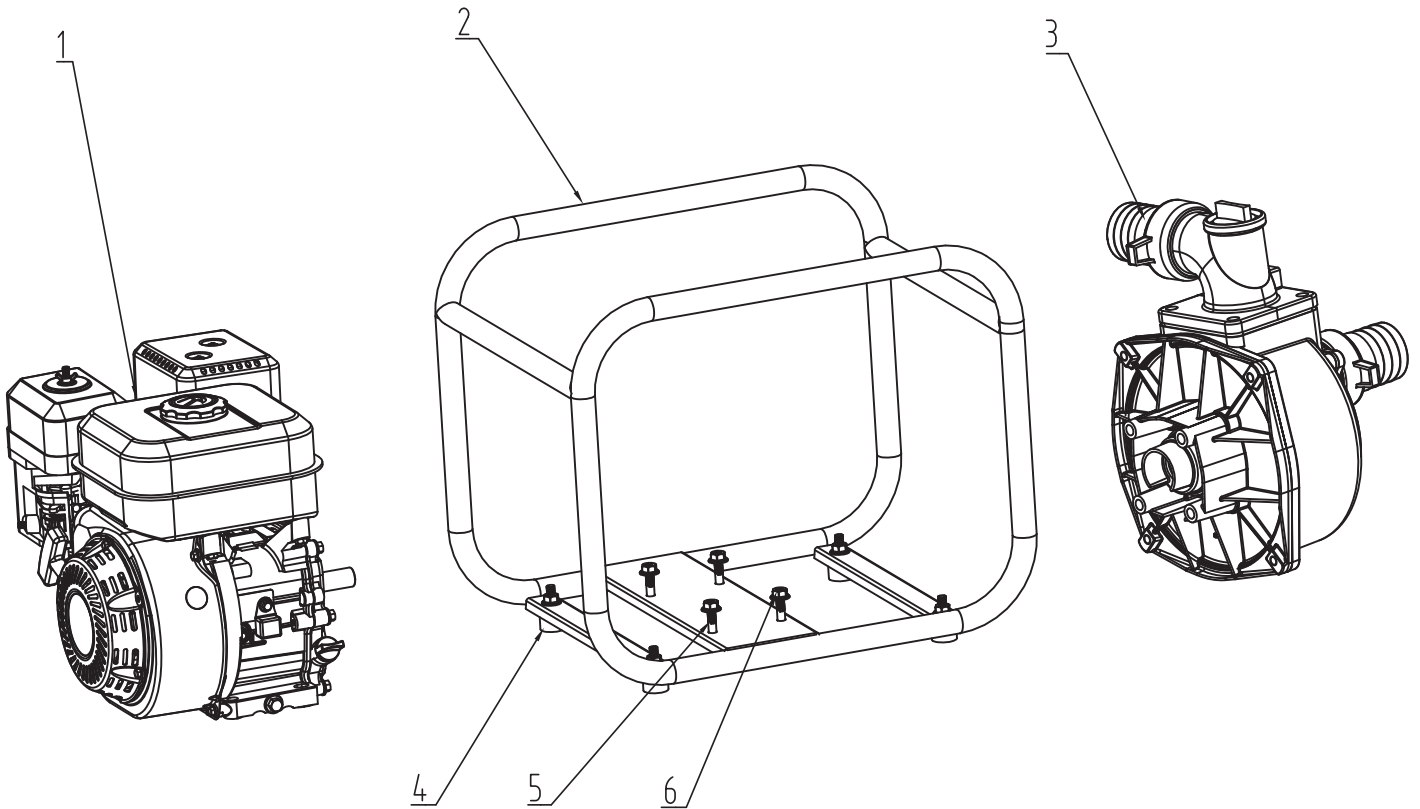
## 4. DIMENSIONES DIMENSIONS DIMENSIONS



MODELO MODEL MODÈLE	DN	L	D	H
	Ø"	mm	mm	mm
ENG-50	2	47	37	38
ENG-80	3	50	37	40

## 5. DESPIECE SPARE PARTS PIÈCES DE RECHANGE

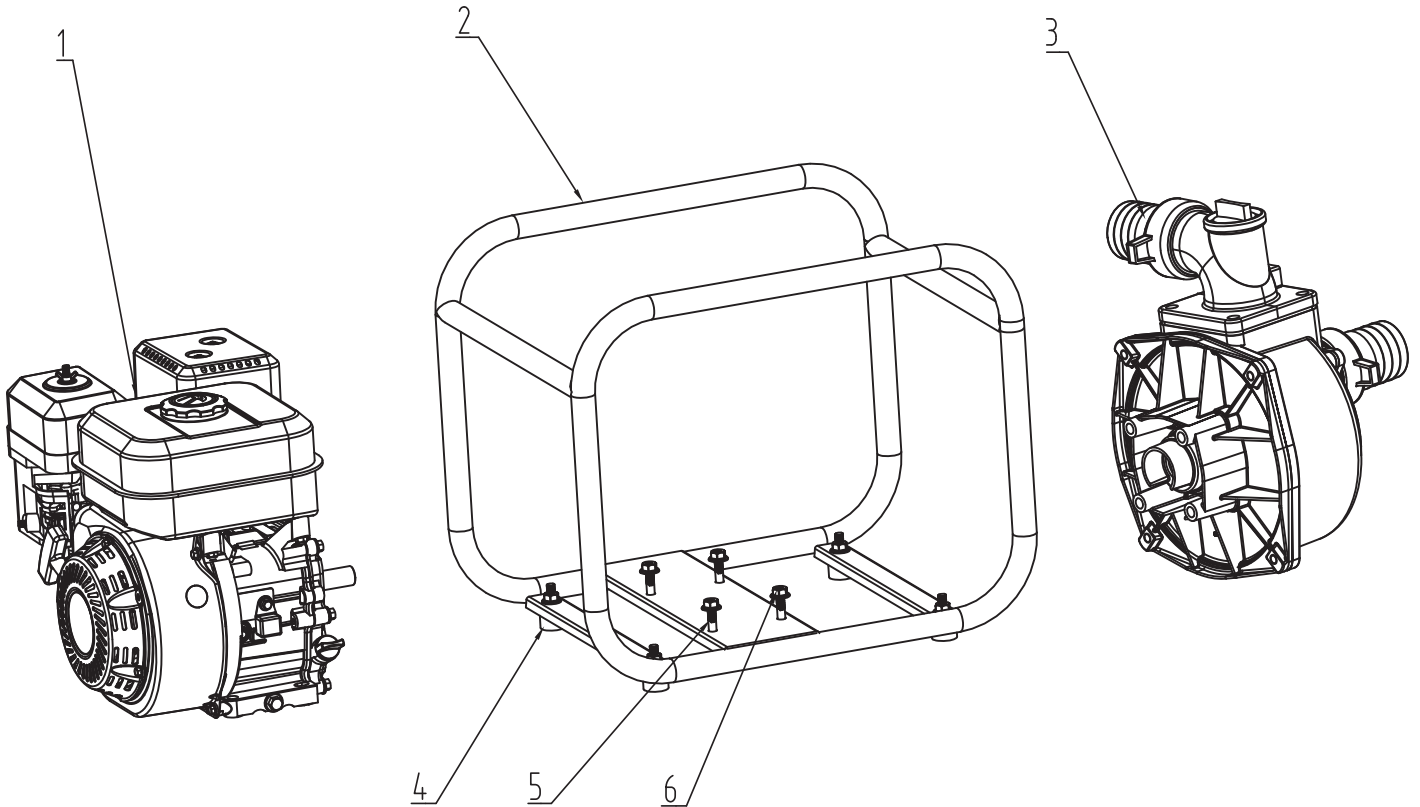
### 5.1 ENG-50 | VISTA GENERAL



Ref.	Nº	Vista	Descripción
R09020101.1G	1	G	Motor de gasolina
R09020101.2G	2	G	Bastidor motobomba
R09020101.3G	3	G	Bomba de agua
R09020101.4G	4	G	Pies de goma
R09020101.5G	5	G	Pies de máquina perno M8x22
R09020101.6G	6	G	Tuerca M8

## 5. DESPIECE SPARE PARTS PIÈCES DE RECHANGE

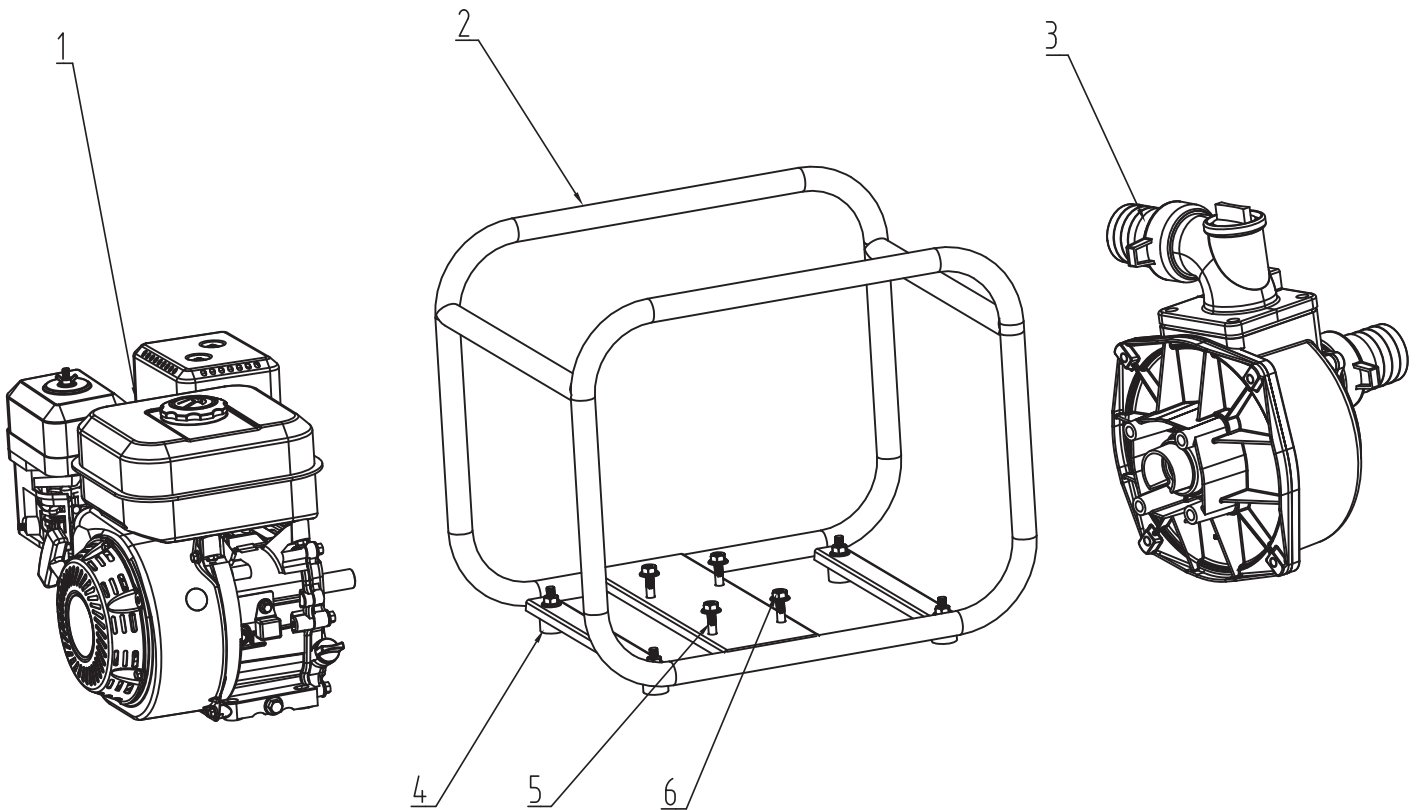
### 5.1 ENG-50 | GENERAL VIEW



Ref.	Nº	View	Description
R09020101.1G	1	G	Gasoline engine
R09020101.2G	2	G	Water pump frame
R09020101.3G	3	G	Water pump
R09020101.4G	4	G	Rubber feet
R09020101.5G	5	G	Machine feet bolt M8X35
R09020101.6G	6	G	M8 nut

## 5. DESPIECE SPARE PARTS PIÈCES DE RECHANGE

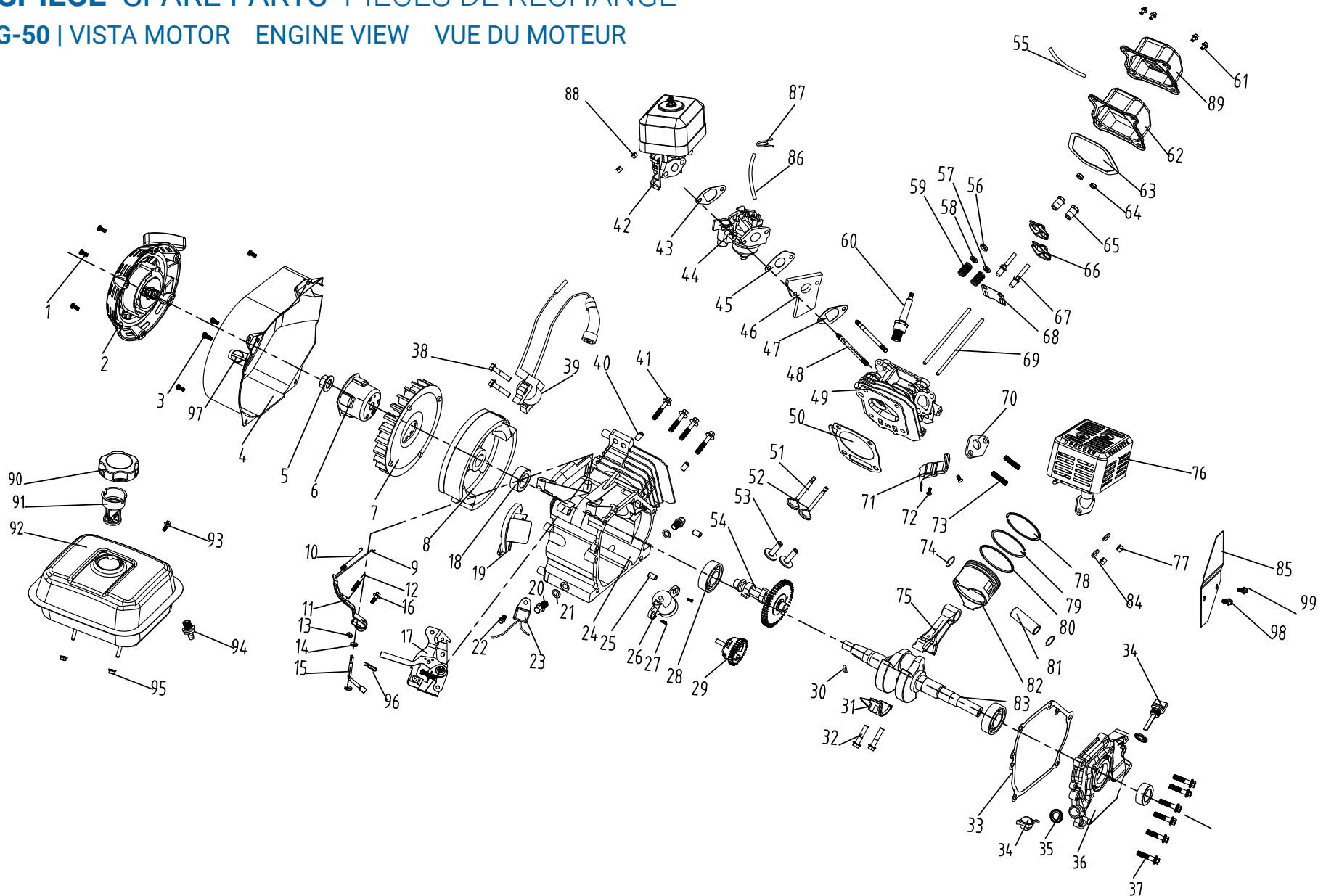
### 5.1 ENG-50 | VUE GÉNÉRALE



Ref.	N°	Voir	Description
R09020101.1G	1	G	Moteur à essence
R09020101.2G	2	G	Cadre de la pompe à eau
R09020101.3G	3	G	Pompe à eau
R09020101.4G	4	G	Pieds en caoutchouc
R09020101.5G	5	G	Boulon des pieds de la machine M8X35
R09020101.6G	6	G	Écrou M8

## 5. DESPIECE SPARE PARTS PIÈCES DE RECHANGE

### 5.2 ENG-50 | VISTA MOTOR ENGINE VIEW VUE DU MOTEUR



## 5. DESPIECE SPARE PARTS PIÈCES DE RECHANGE

### 5.2 ENG-50 | VISTA MOTOR

Ref.	Nº	Vista	Descripción
R09020101.1M	1	M	Tornillo de brida M6x8
R09020101.2M	2	M	Arrancador
R09020101.3M	3	M	Perno de brida M6x12
R09020101.4M	4	M	Cubierta del ventilador (con agujero)
R09020101.5M	5	M	Tuerca del volante M14x1,5
R09020101.6M	6	M	Taza de arranque
R09020101.7M	7	M	Ventilador
R09020101.8M	8	M	Volante
R09020101.9M	9	M	Varilla de tracción del regulador
R09020101.10M	10	M	Muelle pequeño del regulador
R09020101.11M	11	M	Brazo del regulador
R09020101.12M	12	M	Muelle del regulador de la bomba de agua
R09020101.13M	13	M	Tuerca de brida M6
R09020101.14M	14	M	Junta 6
R09020101.15M	15	M	Palanca del regulador
R09020101.16M	16	M	Perno cuadrado M6x21
R09020101.17M	17	M	Bomba de agua Base reguladora
R09020101.18M	18	M	Retén de aceite
R09020101.19M	19	M	Tapa lateral del volante (con placa)
R09020101.20M	20	M	Tapón de drenaje
R09020101.21M	21	M	Junta del tapón de drenaje
R09020101.22M	22	M	Perno brida M6x12
R09020101.23M	23	M	Órgano de interdicción
R09020101.24M	24	M	Cárter
R09020101.25M	25	M	Pasador Cárter 98x14
R09020101.26M	26	M	Sensor de aceite
R09020101.27M	27	M	Perno brida M6x12
R09020101.28M	28	M	Cojinete 6205
R09020101.29M	29	M	Engranaje del regulador
R09020101.30M	30	M	Llave del volante
R09020101.31M	31	M	Tapa de la biela
R09020101.32M	32	M	Tornillo biela
R09020101.33M	33	M	Junta del cárter
R09020101.34M	34	M	Regla de aceite
R09020101.35M	35	M	Regla aceite Junta
R09020101.36M	36	M	Tapa baja del cárter
R09020101.37M	37	M	Brida Tornillo M8x33
R09020101.38M	38	M	Tornillo brida M6x25
R09020101.39M	39	M	Bolsa de alta tensión (Por un gorrito de papel de aluminio)
R09020101.40M	40	M	Pasador Culata 98x16
R09020101.41M	41	M	Perno Brida M8x55
R09020101.42M	42	M	Filtro de Aire
R09020101.43M	43	M	Junta del filtro de aire
R09020101.44M	44	M	Bomba de Agua Carburador
R09020101.45M	45	M	Junta del carburador
R09020101.46M	46	M	Aislador del carburador
R09020101.47M	47	M	Junta aislante del carburador
R09020101.48M	48	M	Perno del carburador de la bomba de agua M6x113
R09020101.49M	49	M	Culata

Ref.	Nº	Vista	Descripción
R09020101.50M	50	M	Junta de culata
R09020101.51M	51	M	Válvula de admisión
R09020101.52M	52	M	Válvula de escape
R09020101.53M	53	M	Levantaválvulas
R09020101.54M	54	M	Árbol de levas
R09020101.55M	55	M	Tubo respiradero
R09020101.56M	56	M	Sombrero de la válvula de escape
R09020101.57M	57	M	Retenedor del muelle de la válvula de escape
R09020101.58M	58	M	Retenedor del muelle de la válvula de admisión
R09020101.59M	59	M	Resorte de la válvula
R09020101.60M	60	M	Bujía
R09020101.61M	61	M	Tornillo M6x12
R09020101.62M	62	M	Tapa de culata
R09020101.63M	63	M	Junta de la tapa de culata
R09020101.64M	64	M	Tuerca del balancín
R09020101.65M	65	M	Tuerca ajuste balancín
R09020101.66M	66	M	Balancín
R09020101.67M	67	M	Perno balancín
R09020101.68M	68	M	Push-Rod Mantener Marco
R09020101.69M	69	M	Barra de empuje
R09020101.70M	70	M	Tubo de escape Junta
R09020101.71M	71	M	Cubreviento de plomo
R09020101.72M	72	M	Brida Perno M6x8
R09020101.73M	73	M	Perno prisionero M8x32
R09020101.74M	74	M	Pasador del pistón
R09020101.75M	75	M	Cuerpo de biela
R09020101.76M	76	M	Bomba de agua Silenciador
R09020101.77M	77	M	Tuerca M8
R09020101.78M	78	M	Anillo de compresión superior
R09020101.79M	79	M	Segundo anillo de compresión
R09020101.80M	80	M	Anillo de aceite
R09020101.81M	81	M	Pasador del pistón
R09020101.82M	82	M	Pistón
R09020101.83M	83	M	Cigüeñal
R09020101.84M	84	M	Arandela elástica 8
R09020101.85M	85	M	Protector del tubo de escape
R09020101.86M	86	M	Tubo de combustible
R09020101.87M	87	M	Circlip del tubo de combustible
R09020101.88M	88	M	Tuerca M6
R09020101.89M	89	M	Tapa de la culata Protector
R09020101.90M	90	M	Tapa Depósito Combustible
R09020101.91M	91	M	Filtro de combustible+La base
R09020101.92M	92	M	Depósito de combustible
R09020101.93M	93	M	Perno brida M6x25
R09020101.94M	94	M	Boquilla combustible+Junta
R09020101.95M	95	M	Tuerca M6
R09020101.96M	96	M	Circlip de la palanca del regulador
R09020101.97M	97	M	Interruptor de llama redondo
R09020101.98M	98	M	Perno de brida M8x16
R09020101.99M	99	M	Perno de brida M6x12

## 5. DESPIECE SPARE PARTS PIÈCES DE RECHANGE

### 5.2 ENG-50 | ENGINE VIEW



Ref.	N°	View	Description
R09020101.1M	1	M	Flange Bolt M6x8
R09020101.2M	2	M	Recoil starter
R09020101.3M	3	M	Flange Bolt M6x12
R09020101.4M	4	M	Fan Cover (with hole)
R09020101.5M	5	M	Flywheel Nut M14x1.5
R09020101.6M	6	M	Starting Cup
R09020101.7M	7	M	Fan
R09020101.8M	8	M	Flywheel
R09020101.9M	9	M	Governor Pull Rod
R09020101.10M	10	M	Small Governor Spring
R09020101.11M	11	M	Governor Arm
R09020101.12M	12	M	Water Pump Governor Spring
R09020101.13M	13	M	Flange Nut M6
R09020101.14M	14	M	Gasket 6
R09020101.15M	15	M	Governor Lever
R09020101.16M	16	M	Square Bolt M6x21
R09020101.17M	17	M	Water Pump Governing base
R09020101.18M	18	M	Oil seal
R09020101.19M	19	M	Flywheel side cover(With Plate)
R09020101.20M	20	M	Drain Plug
R09020101.21M	21	M	Drain Plug Gasket
R09020101.22M	22	M	Flange Bolt M6x12
R09020101.23M	23	M	Interdiction Organ
R09020101.24M	24	M	Crankcase
R09020101.25M	25	M	Crankcase Pin 98x14
R09020101.26M	26	M	Oil sensor
R09020101.27M	27	M	Flange Bolt M6x12
R09020101.28M	28	M	Bearing 6205
R09020101.29M	29	M	Governor Gear
R09020101.30M	30	M	Flywheel Key
R09020101.31M	31	M	Connecting rod Cover
R09020101.32M	32	M	Connecting rod Bolt
R09020101.33M	33	M	Crankcase Gasket
R09020101.34M	34	M	Oil ruler
R09020101.35M	35	M	Oil ruler Gasket
R09020101.36M	36	M	Low Crankcase cover
R09020101.37M	37	M	Flange Bolt M8x33
R09020101.38M	38	M	Flange Bolt M6x25
R09020101.39M	39	M	High Voltage Bag (By a foil beanie)
R09020101.40M	40	M	Cylinder Head Pin 98x16
R09020101.41M	41	M	Flange Bolt M8x55
R09020101.42M	42	M	Water Pump Air Cleaner
R09020101.43M	43	M	Air cleaner gasket
R09020101.44M	44	M	Water Pump Carburetor
R09020101.45M	45	M	Carburetor gasket
R09020101.46M	46	M	Carburetor Insulator
R09020101.47M	47	M	Carburetor Insulator Gasket
R09020101.48M	48	M	Water Pump Carburetor Stud Bolt M6x113
R09020101.49M	49	M	Cylinder head

Ref.	N°	View	Description
R09020101.50M	50	M	Cylinder head gasket
R09020101.51M	51	M	Intake Valve
R09020101.52M	52	M	Exhaust Valve
R09020101.53M	53	M	Valve Lifter
R09020101.54M	54	M	Iron Camshaft
R09020101.55M	55	M	Breather tube
R09020101.56M	56	M	Exhaust Valve Hat
R09020101.57M	57	M	Exhaust Valve Spring Retainer
R09020101.58M	58	M	Intake Valve Spring Retainer
R09020101.59M	59	M	Valve Spring
R09020101.60M	60	M	Sparkplug
R09020101.61M	61	M	Flange Bolt M6x12
R09020101.62M	62	M	Cylinder head cover
R09020101.63M	63	M	Cylinder head cover gasket
R09020101.64M	64	M	Rocker Nut
R09020101.65M	65	M	Rocker adjust Nut
R09020101.66M	66	M	Rocker arm
R09020101.67M	67	M	Rocker Bolt
R09020101.68M	68	M	Push-Rod Keep Frame
R09020101.69M	69	M	Push-Rod
R09020101.70M	70	M	Exhaust pipe Gasket
R09020101.71M	71	M	Lead Wind Cover
R09020101.72M	72	M	Flange Bolt M6x8
R09020101.73M	73	M	Stud bolt M8x32
R09020101.74M	74	M	Piston pin clip
R09020101.75M	75	M	Connecting rod body
R09020101.76M	76	M	Water Pump Muffler
R09020101.77M	77	M	Nut M8
R09020101.78M	78	M	Top compression ring
R09020101.79M	79	M	Second compression ring
R09020101.80M	80	M	Oil ring
R09020101.81M	81	M	Piston pin
R09020101.82M	82	M	Piston
R09020101.83M	83	M	Crankshaft
R09020101.84M	84	M	Spring washer 8
R09020101.85M	85	M	Exhaust Pipe Guard
R09020101.86M	86	M	Fuel Pipe
R09020101.87M	87	M	Fuel pipe circlip
R09020101.88M	88	M	Nut M6
R09020101.89M	89	M	Cylinder head cover Guard
R09020101.90M	90	M	Fuel Tank cover
R09020101.91M	91	M	Fuel filter+The base
R09020101.92M	92	M	Fuel Tank
R09020101.93M	93	M	Flange Bolt M6x25
R09020101.94M	94	M	Fuel nozzle+Gasket
R09020101.95M	95	M	Nut M6
R09020101.96M	96	M	Governor Lever circlip
R09020101.97M	97	M	Round Flameout switch
R09020101.98M	98	M	Flange Bolt M8x16
R09020101.99M	99	M	Flange Bolt M6x12

## 5. DESPIECE SPARE PARTS PIÈCES DE RECHANGE

### 5.2 ENG-50 | VUE DU MOTEUR

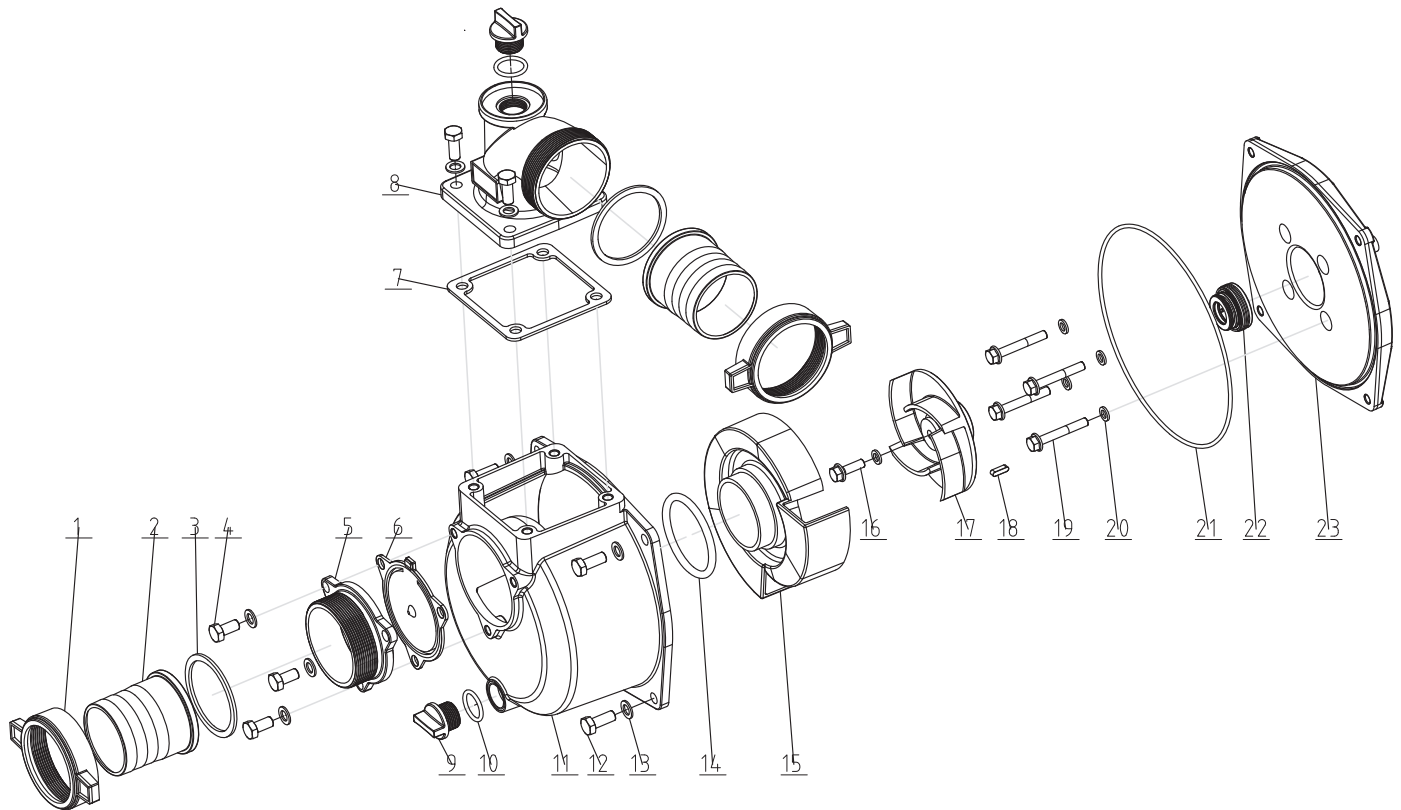


Ref.	N°	View	Description
R09020101.1M	1	M	Boulon à bride M6x8
R09020101.2M	2	M	Démarrreur à rappel
R09020101.3M	3	M	Boulon à bride M6x12
R09020101.4M	4	M	Couvercle de ventilateur (avec trou)
R09020101.5M	5	M	Ecrou de volant M14x1.5
R09020101.6M	6	M	Coupelle de démarrage
R09020101.7M	7	M	Ventilateur
R09020101.8M	8	M	Volant d'inertie
R09020101.9M	9	M	Tige de traction du gouverneur
R09020101.10M	10	M	Petit ressort de gouverneur
R09020101.11M	11	M	Bras du gouverneur
R09020101.12M	12	M	Pompe à eau Ressort du gouverneur
R09020101.13M	13	M	Ecrou à bride M6
R09020101.14M	14	M	Joint 6
R09020101.15M	15	M	Levier du gouverneur
R09020101.16M	16	M	Boulon carré M6x21
R09020101.17M	17	M	Pompe à eau Base du gouverneur
R09020101.18M	18	M	Joint d'huile
R09020101.19M	19	M	Couvercle latéral du volant moteur (avec plaque)
R09020101.20M	20	M	Bouchon de vidange
R09020101.21M	21	M	Joint de bouchon de vidange
R09020101.22M	22	M	Boulon à bride M6x12
R09020101.23M	23	M	Organe d'interception
R09020101.24M	24	M	Carter de vilebrequin
R09020101.25M	25	M	Goupille de carter 98x14
R09020101.26M	26	M	Capteur d'huile
R09020101.27M	27	M	Boulon à bride M6x12
R09020101.28M	28	M	Roulement 6205
R09020101.29M	29	M	Engrenage du gouverneur
R09020101.30M	30	M	Volant moteur Clé
R09020101.31M	31	M	Couvercle de bielle
R09020101.32M	32	M	Boulon de bielle
R09020101.33M	33	M	Joint de carter
R09020101.34M	34	M	Règle d'huile
R09020101.35M	35	M	Joint de règle à huile
R09020101.36M	36	M	Couvercle de carter bas
R09020101.37M	37	M	Boulon à bride M8x33
R09020101.38M	38	M	Boulon de bride M6x25
R09020101.39M	39	M	Sac haute tension (par un bonnet en aluminium)
R09020101.40M	40	M	Goupille de culasse 98x16
R09020101.41M	41	M	Boulon à bride M8x55
R09020101.42M	42	M	Pompe à eau Filtre à air
R09020101.43M	43	M	Joint de filtre à air
R09020101.44M	44	M	Pompe à eau Carburateur
R09020101.45M	45	M	Joint de carburateur
R09020101.46M	46	M	Isolateur de carburateur
R09020101.47M	47	M	Joint de l'isolateur du carburateur
R09020101.48M	48	M	Boulon de pompe à eau du carburateur M6x113
R09020101.49M	49	M	Tête de cylindre

Ref.	N°	View	Description
R09020101.50M	50	M	Joint de culasse
R09020101.51M	51	M	Soupape d'admission
R09020101.52M	52	M	Soupape d'échappement
R09020101.53M	53	M	Soupape Lifter
R09020101.54M	54	M	Arbre à cames en Iron
R09020101.55M	55	M	Tube de reniflard
R09020101.56M	56	M	Chapeau de soupape d'échappement
R09020101.57M	57	M	Retenue de ressort de soupape d'échappement
R09020101.58M	58	M	Retenue de ressort de soupape d'admission
R09020101.59M	59	M	Ressort de soupape d'admission
R09020101.60M	60	M	Bougie d'allumage
R09020101.61M	61	M	Boulon de fixation M6x12
R09020101.62M	62	M	Couvercle de culasse
R09020101.63M	63	M	Joint de couvre-culasse
R09020101.64M	64	M	Ecrou de culbuteur
R09020101.65M	65	M	Ecrou de réglage du culbuteur
R09020101.66M	66	M	Bras de culbuteur
R09020101.67M	67	M	Boulon de culbuteur
R09020101.68M	68	M	Cadre de maintien de la tige de poussée
R09020101.69M	69	M	Boule de poussée
R09020101.70M	70	M	Joint de tuyau d'échappement
R09020101.71M	71	M	Couvercle du vent de plomb
R09020101.72M	72	M	Boulon à bride M6x8
R09020101.73M	73	M	Goujon M8x32
R09020101.74M	74	M	Clip d'axe de piston
R09020101.75M	75	M	Corps de bielle
R09020101.76M	76	M	Pompe à eau Silencieux
R09020101.77M	77	M	Écrou M8
R09020101.78M	78	M	Anneau de compression supérieur
R09020101.79M	79	M	Deuxième anneau de compression
R09020101.80M	80	M	Bague d'huile
R09020101.81M	81	M	Goupille de piston
R09020101.82M	82	M	Piston
R09020101.83M	83	M	Vilebrequin
R09020101.84M	84	M	Rondelle élastique 8
R09020101.85M	85	M	Protection du tuyau d'échappement
R09020101.86M	86	M	Tuyau de carburant
R09020101.87M	87	M	Circlip du tuyau de carburant
R09020101.88M	88	M	Ecrou M6
R09020101.89M	89	M	Couvercle de culasse Protection
R09020101.90M	90	M	Couvercle du réservoir de carburant
R09020101.91M	91	M	Filtre à carburant+La base
R09020101.92M	92	M	Réservoir de carburant
R09020101.93M	93	M	Boulon à bride M6x25
R09020101.94M	94	M	Pistolet à carburant+Joint
R09020101.95M	95	M	Ecrou M6
R09020101.96M	96	M	Circlip du levier du gouverneur
R09020101.97M	97	M	Interrupteur d'allumage rond
R09020101.98M	98	M	Boulon à bride M8x16
R09020101.99M	99	M	Boulon à bride M6x12

## 5. DESPIECE SPARE PARTS PIÈCES DE RECHANGE

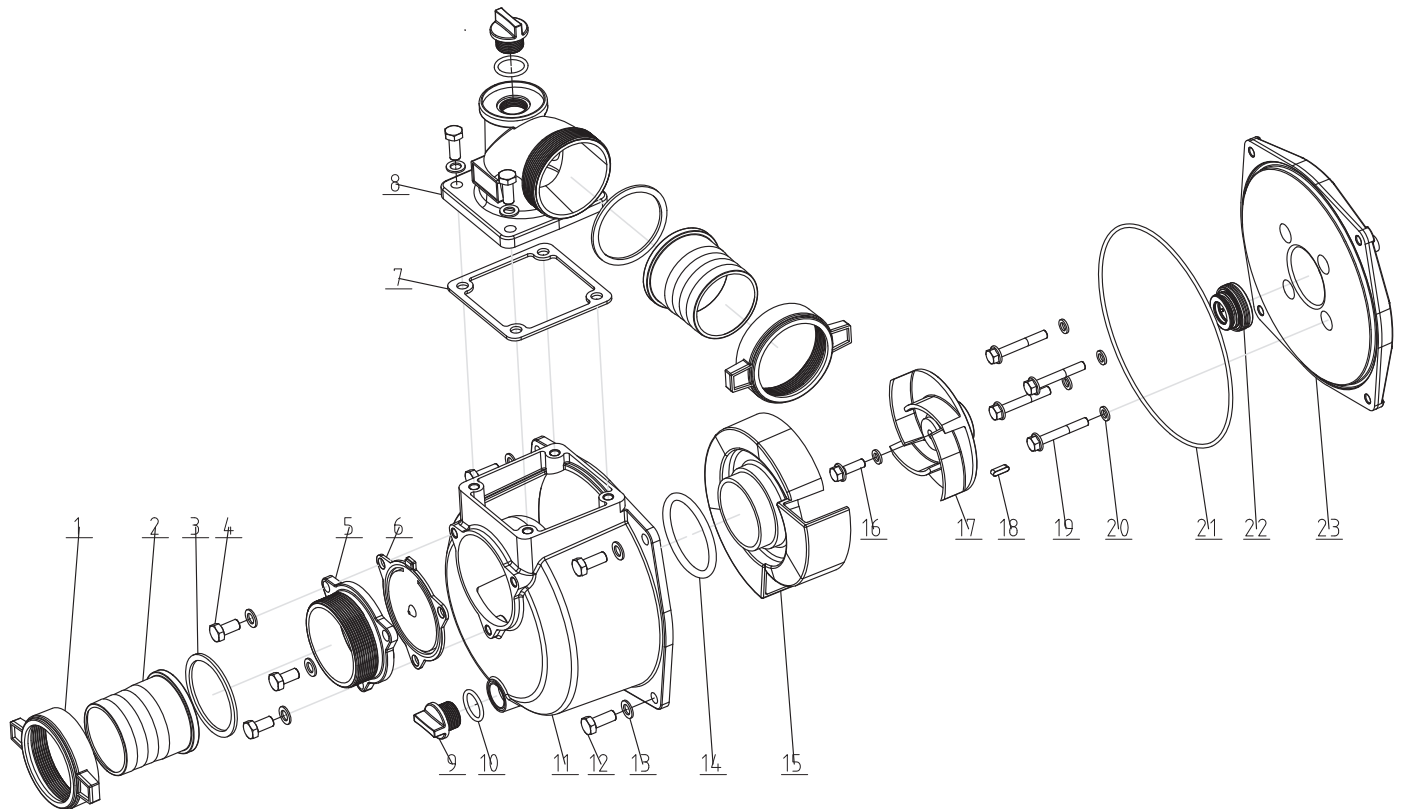
### 5.3 ENG-50 | VISTA BOMBA



Ref.	Nº	Vista	Descripción
R09020101.1B	1	B	Tuerca prensaestopas
R09020101.2B	2	B	Junta de tubo
R09020101.3B	3	B	Junta de unión
R09020101.4B	4	B	Tornillo M8X20
R09020101.5B	5	B	Brida de entrada de agua
R09020101.6B	6	B	Válvula de retención
R09020101.7B	7	B	Junta de la brida de salida
R09020101.8B	8	B	Junta de descarga de agua
R09020101.9B	9	B	Tornillo de drenaje
R09020101.10B	10	B	Junta tórica-1
R09020101.11B	11	B	Carcasa de la bomba
R09020101.12B	12	B	Tornillo M8x25
R09020101.13B	13	B	Junta pequeña 10
R09020101.14B	14	B	Junta tórica-2
R09020101.15B	15	B	Tapa de flujo guía
R09020101.16B	16	B	Perno M8x25
R09020101.17B	17	B	Rodete de la bomba
R09020101.18B	18	B	Chaveta 5X18
R09020101.19B	19	B	Perno M8x45
R09020101.20B	20	B	Junta perno M8
R09020101.21B	21	B	Junta tórica-3
R09010101.21BV2	22	B	Junta de agua
R09020101.23B	23	B	Base de bomba

## 5. DESPIECE SPARE PARTS PIÈCES DE RECHANGE

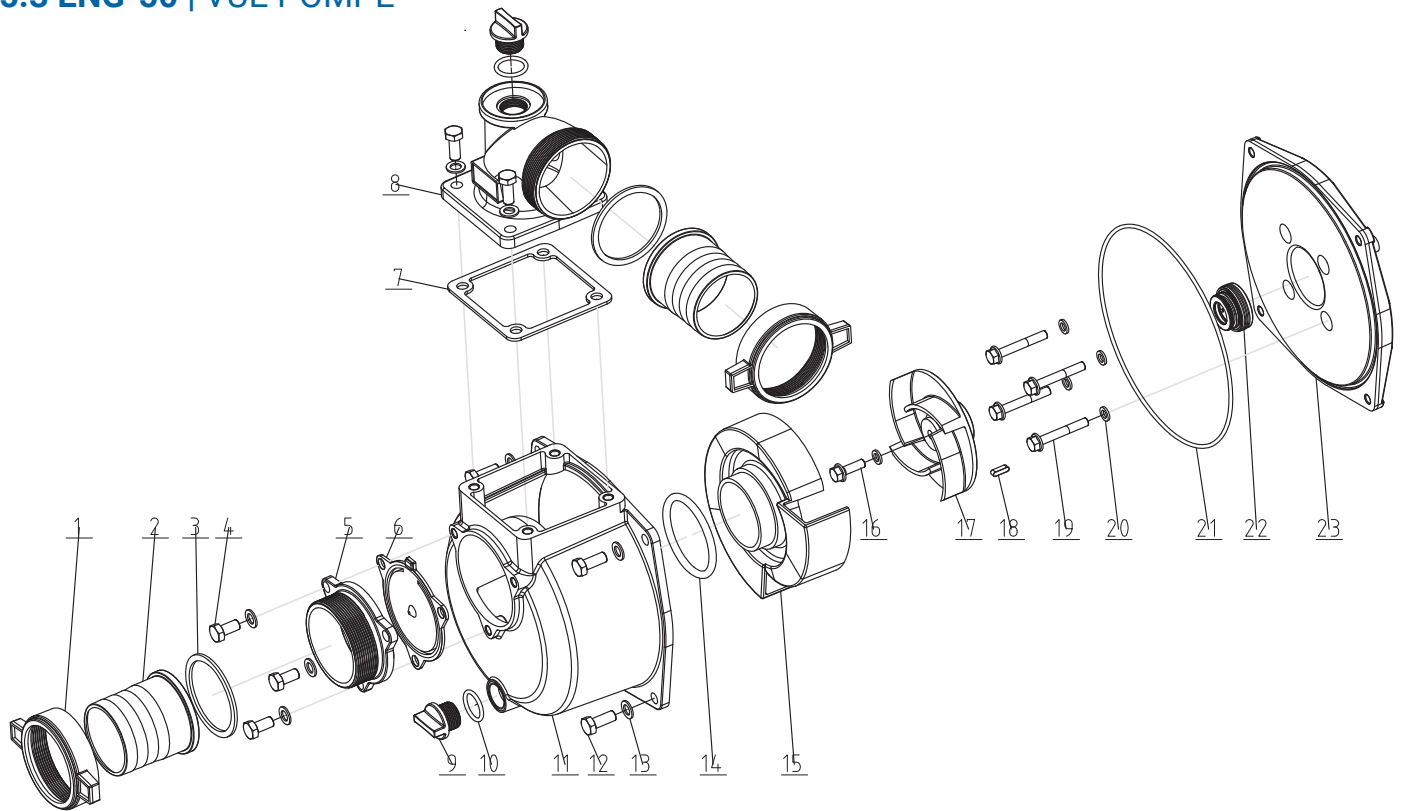
### 5.3 ENG-50 | PUMP VIEW



Ref.	N°	View	Description
R09020101.1B	1	B	Pipe joint gland nut
R09020101.2B	2	B	Pipe joint
R09020101.3B	3	B	Pipe joint gasket
R09020101.4B	4	B	Bolt M8X20
R09020101.5B	5	B	Water inlet flange
R09020101.6B	6	B	Check valve
R09020101.7B	7	B	Outlet flange gasket
R09020101.8B	8	B	Discharge water joint
R09020101.9B	9	B	Drain screw
R09020101.10B	10	B	O-type sealing ring-1
R09020101.11B	11	B	Pump casing
R09020101.12B	12	B	Bolt M8x25
R09020101.13B	13	B	Small gasket 10
R09020101.14B	14	B	O-type sealing ring-2
R09020101.15B	15	B	Guide flow cover
R09020101.16B	16	B	M8x25 bolt
R09020101.17B	17	B	Pump impeller
R09020101.18B	18	B	Flat key 5x18
R09020101.19B	19	B	M8x45 bolt
R09020101.20B	20	B	M8bolt gasket
R09020101.21B	21	B	O-type sealing ring-3
R09010101.21BV2	22	B	Water seal
R09020101.23B	23	B	Pump base

## 5. DESPIECE SPARE PARTS PIÈCES DE RECHANGE

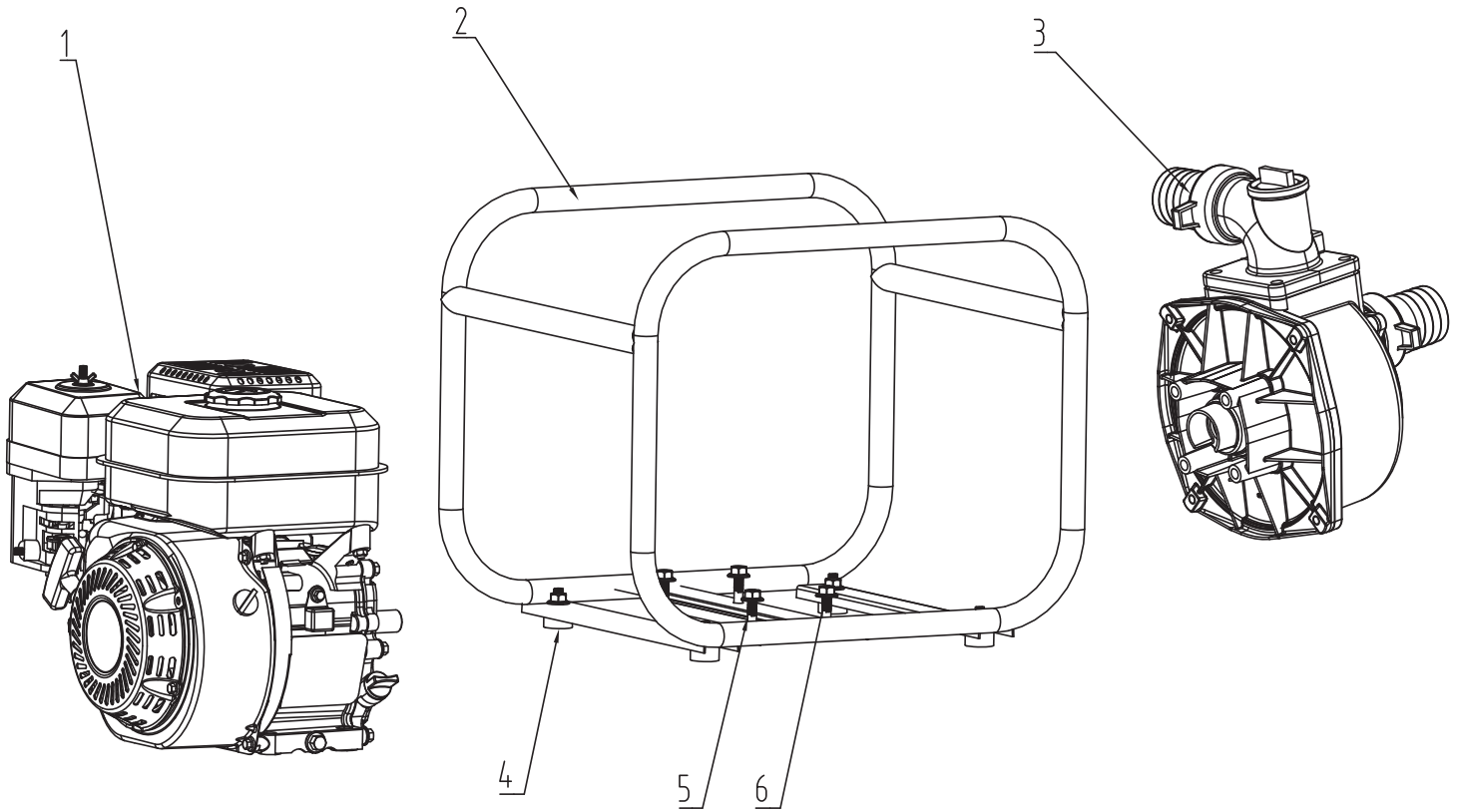
### 5.3 ENG-50 | VUE POMPE



Ref.	N°	Voir	Description
R09020101.1B	1	B	Ecrou de presse-étoupe pour joint de tuyauterie
R09020101.2B	2	B	Joint de tuyau
R09020101.3B	3	B	Joint d'étanchéité du joint de tuyauterie
R09020101.4B	4	B	Boulon M8X20
R09020101.5B	5	B	Bride d'entrée d'eau
R09020101.6B	6	B	Clapet anti-retour
R09020101.7B	7	B	Joint de la bride de sortie
R09020101.8B	8	B	Joint d'évacuation de l'eau
R09020101.9B	9	B	Vis de vidange
R09020101.10B	10	B	Joint d'étanchéité de type O-1
R09020101.11B	11	B	Corps de pompe
R09020101.12B	12	B	Boulon M8x25
R09020101.13B	13	B	Petit joint 10
R09020101.14B	14	B	Joint d'étanchéité de type O-2
R09020101.15B	15	B	Couvercle de guidage
R09020101.16B	16	B	Boulon M8x25
R09020101.17B	17	B	Roue de pompe
R09020101.18B	18	B	Clé plate 5x18
R09020101.19B	19	B	Boulon M8x45
R09020101.20B	20	B	Joint de boulon M8
R09020101.21B	21	B	Joint d'étanchéité de type O-3
R09010101.21BV2	22	B	Joint d'eau
R09020101.23B	23	B	Base de la pompe

## 5. DESPIECE SPARE PARTS PIÈCES DE RECHANGE

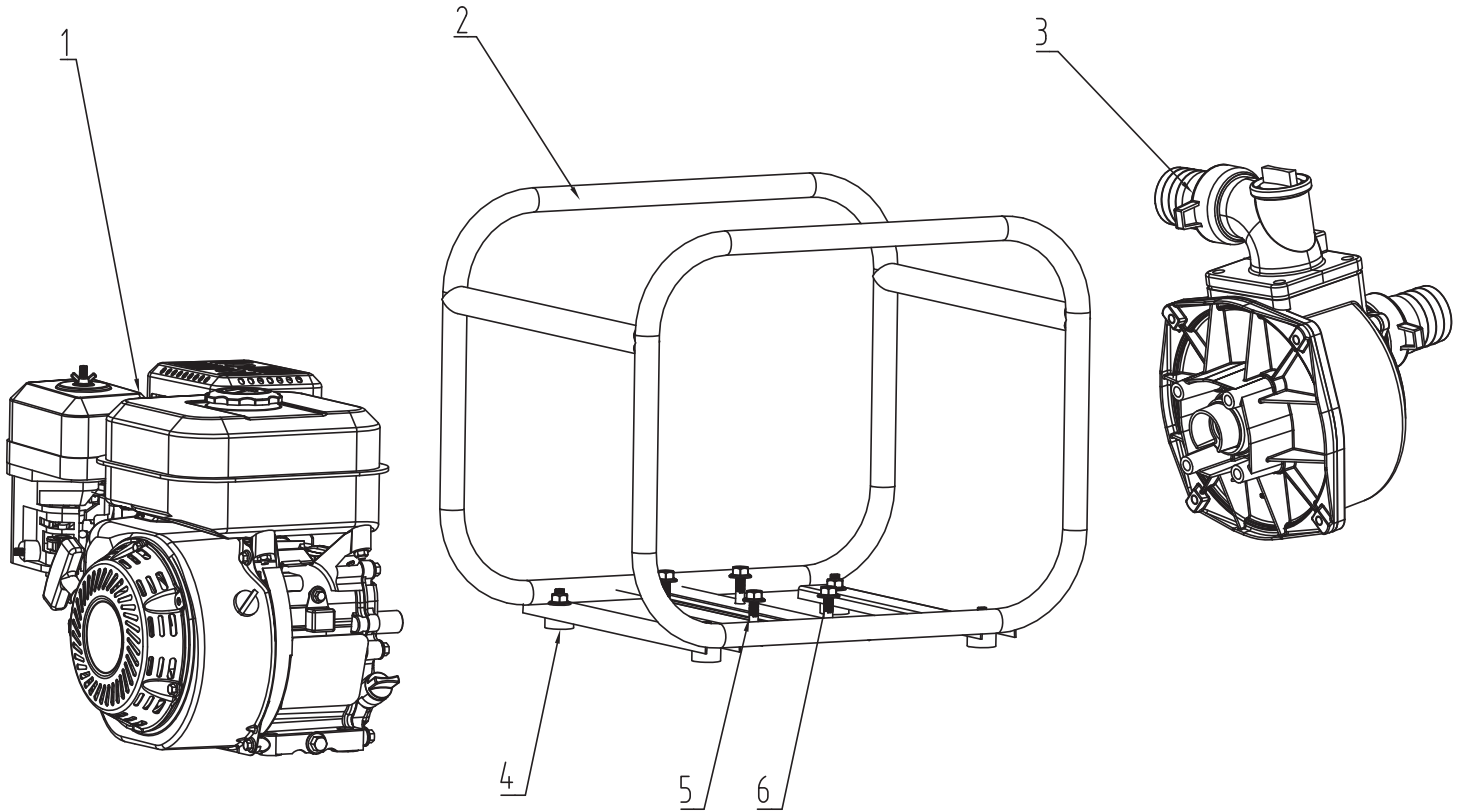
### 5.1 ENG-80 | VISTA GENERAL



Ref.	Nº	Vista	Descripción
R09020102.1G	1	G	Motor de gasolina
R09020102.2G	2	G	Bastidor de la bomba de agua
R09020102.3G	3	G	Bomba de agua
R09020102.4G	4	G	Pies de goma
R09020102.5G	5	G	Pies de máquina perno M8X35
R09020102.6G	6	G	Tuerca M8

## 5. DESPIECE SPARE PARTS PIÈCES DE RECHANGE

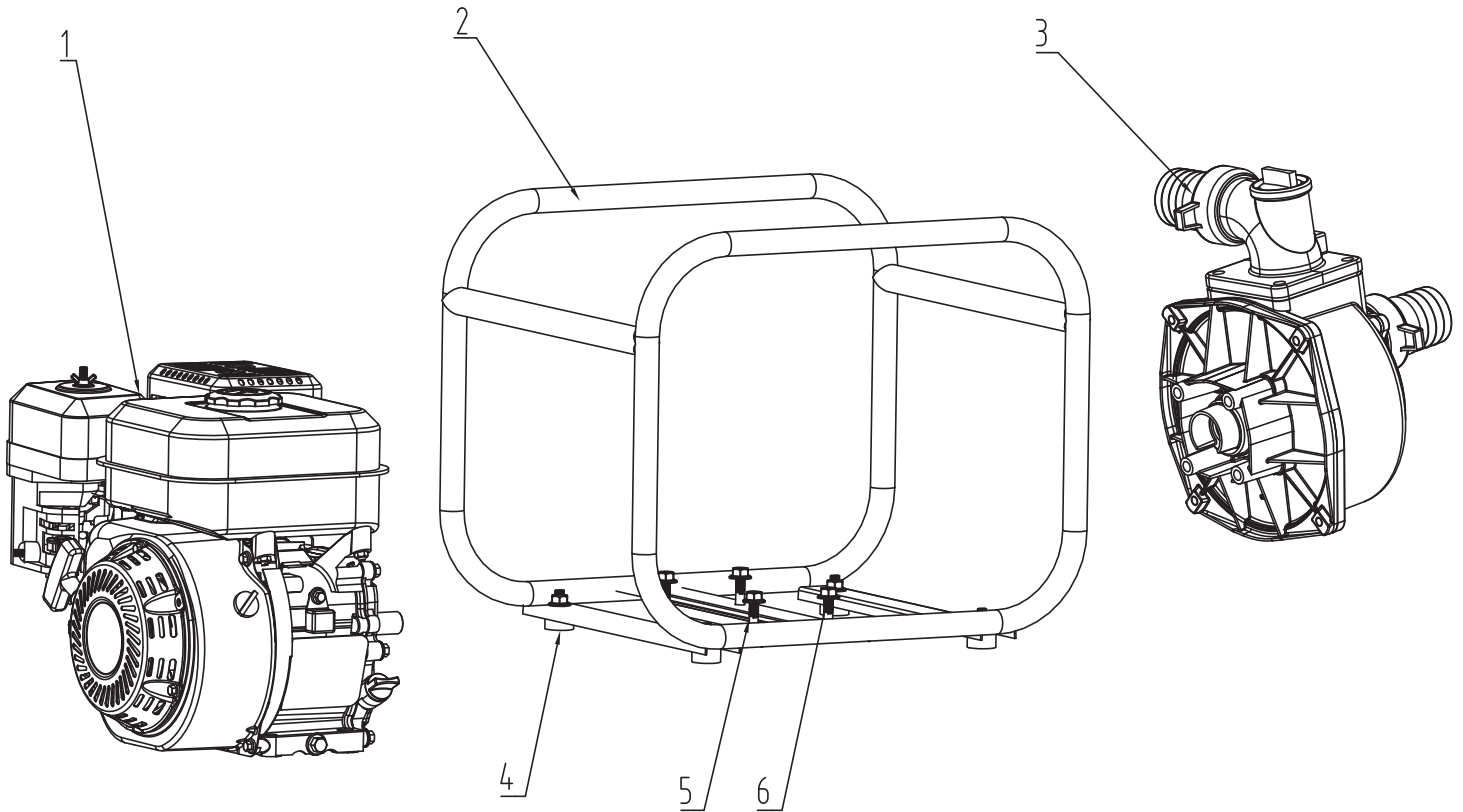
### 5.1 ENG-80 | GENERAL VIEW



Ref	Nº	View	Description
R09020102.1G	1	G	Gasoline engine
R09020102.2G	2	G	Water pump frame
R09020102.3G	3	G	Water pump
R09020102.4G	4	G	Rubber feet
R09020102.5G	5	G	Machine feet bolt M8X35
R09020102.6G	6	G	M8 nut

## 5. DESPIECE SPARE PARTS PIÈCES DE RECHANGE

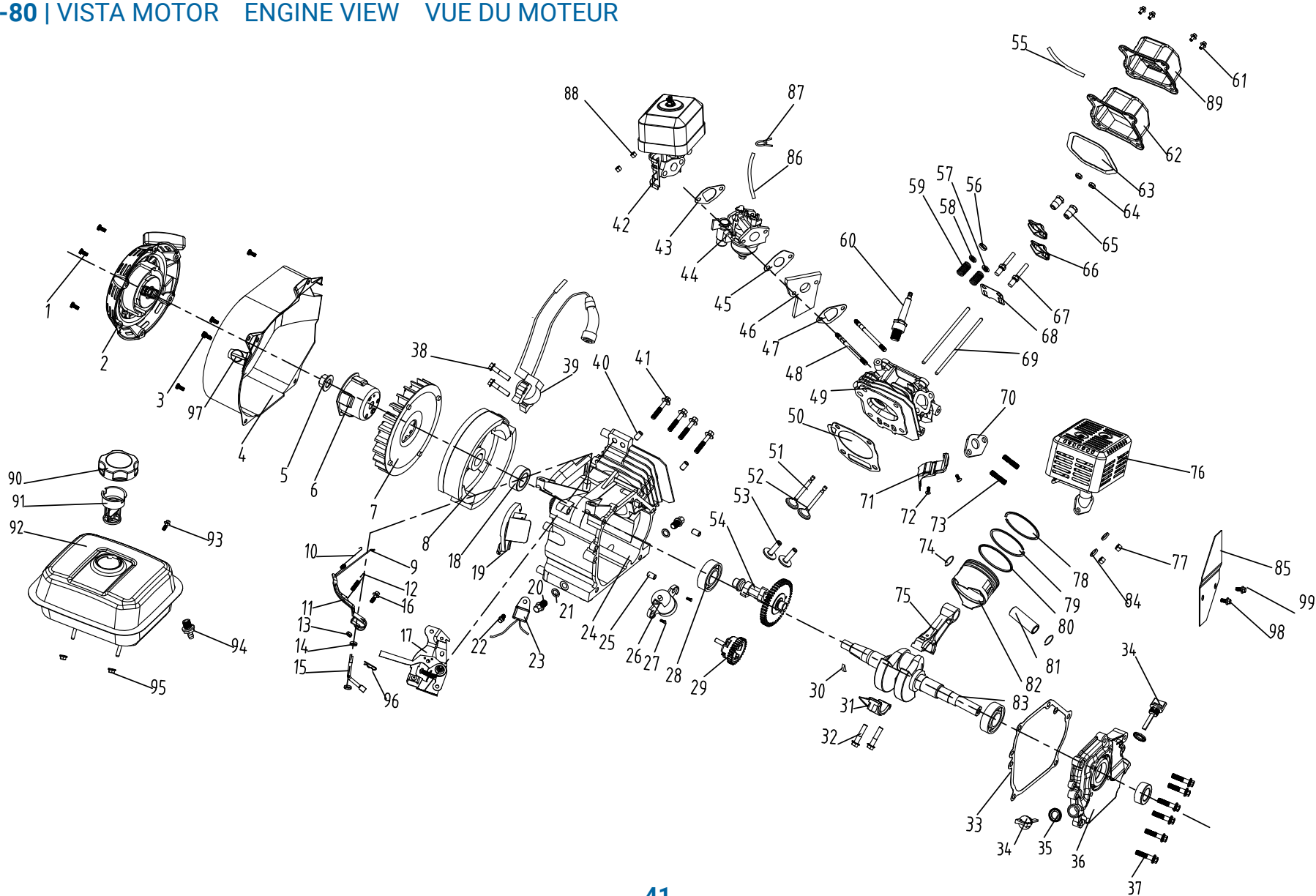
### 5.1 ENG-80 | VUE GÉNÉRALE



Ref	N°	Voir	Description
R09020102.1G	1	G	Moteur à essence
R09020102.2G	2	G	Cadre de la pompe à eau
R09020102.3G	3	G	Pompe à eau
R09020102.4G	4	G	Pieds en caoutchouc
R09020102.5G	5	G	Pieds de machine boulon M8X35
R09020102.6G	6	G	Ecrou M8

## 5. DESPIECE SPARE PARTS PIÈCES DE RECHANGE

### 5.2 ENG-80 | VISTA MOTOR ENGINE VIEW VUE DU MOTEUR



## 5. DESPIECE SPARE PARTS PIÈCES DE RECHANGE

### 5.2 ENG-80 | VISTA MOTOR



Ref.	Nº	Vista	Descripción
R09020101.1MV1	1	M	Tornillo de brida M6x8
R09020101.2MV1	2	M	Arrancador
R09020101.3MV1	3	M	Perno de brida M6x12
R09020101.4MV1	4	M	Cubierta del ventilador (con agujero)
R09020101.5MV1	5	M	Tuerca del volante M14x1,5
R09020101.6MV1	6	M	Taza de arranque
R09020101.7MV1	7	M	Ventilador
R09020101.8MV1	8	M	Volante
R09020101.9MV1	9	M	Varilla de tracción del regulador
R09020101.10MV1	10	M	Muelle pequeño del regulador
R09020101.11MV1	11	M	Brazo del regulador
R09020101.12MV1	12	M	Muelle del regulador de la bomba de agua
R09020101.13MV1	13	M	Tuerca de brida M6
R09020101.14MV1	14	M	Junta 6
R09020101.15MV1	15	M	Palanca del regulador
R09020101.16MV1	16	M	Perno cuadrado M6x21
R09020101.17MV1	17	M	Bomba de agua Base reguladora
R09020101.18MV1	18	M	Retén de aceite
R09020101.19MV1	19	M	Tapa lateral del volante (con placa)
R09020101.20MV1	20	M	Tapón de drenaje
R09020101.21MV1	21	M	Junta del tapón de drenaje
R09020101.22MV1	22	M	Perno brida M6x12
R09020101.23MV1	23	M	Órgano de interdicción
R09020101.24MV1	24	M	Cárter
R09020101.25MV1	25	M	Pasador Cárter 98x14
R09020101.26MV1	26	M	Sensor de aceite
R09020101.27MV1	27	M	Perno brida M6x12
R09020101.28MV1	28	M	Cojinete 6205
R09020101.29MV1	29	M	Engranaje del regulador
R09020101.30MV1	30	M	Llave del volante
R09020101.31MV1	31	M	Tapa de la biela
R09020101.32MV1	32	M	Tornillo biela
R09020101.33MV1	33	M	Junta del cárter
R09020101.34MV1	34	M	Regla de aceite
R09020101.35MV1	35	M	Regla aceite Junta
R09020101.36MV1	36	M	Tapa baja del cárter
R09020101.37MV1	37	M	Brida Tornillo M8x33
R09020101.38MV1	38	M	Tornillo brida M6x25
R09020101.39MV1	39	M	Bolsa de alta tensión (Por un gorrión de papel de aluminio)
R09020101.40MV1	40	M	Pasador Culata 98x16
R09020101.41MV1	41	M	Perno Brida M8x55
R09020101.42MV1	42	M	Bomba de Agua Filtro de Aire
R09020101.43MV1	43	M	Junta del filtro de aire
R09020101.44MV1	44	M	Bomba de Agua Carburador
R09020101.45MV1	45	M	Junta del carburador
R09020101.46MV1	46	M	Aislador del carburador
R09020101.47MV1	47	M	Junta aislante del carburador
R09020101.48MV1	48	M	Perno del carburador de la bomba de agua M6x113
R09020101.49MV1	49	M	Culata

Ref.	Nº	Vista	Descripción
R09020101.50MV1	50	M	Junta de culata
R09020101.51MV1	51	M	Válvula de admisión
R09020101.52MV1	52	M	Válvula de escape
R09020101.53MV1	53	M	Levantaválvulas
R09020101.54MV1	54	M	Árbol de levas
R09020101.55MV1	55	M	Tubo respiradero
R09020101.56MV1	56	M	Sombbrero de la válvula de escape
R09020101.57MV1	57	M	Retenedor del muelle de la válvula de escape
R09020101.58MV1	58	M	Retenedor del muelle de la válvula de admisión
R09020101.59MV1	59	M	Resorte de la válvula
R09020101.60MV1	60	M	Bujía
R09020101.61MV1	61	M	Tornillo M6x12
R09020101.62MV1	62	M	Tapa de culata
R09020101.63MV1	63	M	Junta de la tapa de culata
R09020101.64MV1	64	M	Tuerca del balancín
R09020101.65MV1	65	M	Tuerca ajuste balancín
R09020101.66MV1	66	M	Balancín
R09020101.67MV1	67	M	Perno balancín
R09020101.68MV1	68	M	Push-Rod Mantener Marco
R09020101.69MV1	69	M	Barra de empuje
R09020101.70MV1	70	M	Tubo de escape Junta
R09020101.71MV1	71	M	Cubreviento de plomo
R09020101.72MV1	72	M	Brida Perno M6x8
R09020101.73MV1	73	M	Perno prisionero M8x32
R09020101.74MV1	74	M	Pasador del pistón
R09020101.75MV1	75	M	Cuerpo de biela
R09020101.76MV1	76	M	Bomba de agua Silenciador
R09020101.77MV1	77	M	Tuerca M8
R09020101.78MV1	78	M	Anillo de compresión superior
R09020101.79MV1	79	M	Segundo anillo de compresión
R09020101.80MV1	80	M	Anillo de aceite
R09020101.81MV1	81	M	Pasador del pistón
R09020101.82MV1	82	M	Pistón
R09020101.83MV1	83	M	Cigüeñal
R09020101.84MV1	84	M	Arandela elástica 8
R09020101.85MV1	85	M	Protector del tubo de escape
R09020101.86MV1	86	M	Tubo de combustible
R09020101.87MV1	87	M	Circlip del tubo de combustible
R09020101.88MV1	88	M	Tuerca M6
R09020101.89MV1	89	M	Tapa de la culata Protector
R09020101.90MV1	90	M	Tapa Depósito Combustible
R09020101.91MV1	91	M	Filtro de combustible+La base
R09020101.92MV1	92	M	Depósito de combustible
R09020101.93MV1	93	M	Perno brida M6x25
R09020101.94MV1	94	M	Boquilla combustible+Junta
R09020101.95MV1	95	M	Tuerca M6
R09020101.96MV1	96	M	Circlip de la palanca del regulador
R09020101.97MV1	97	M	Interruptor de llama redondo
R09020101.98MV1	98	M	Perno de brida M8x16
R09020101.99MV1	99	M	Perno de brida M6x12

## 5. DESPIECE SPARE PARTS PIÈCES DE RECHANGE

### 5.2 ENG-80 | ENGINE VIEW



Ref	N°	View	Description
R09020101.1MV1	1	M	Flange Bolt M6x8
R09020101.2MV1	2	M	Recoil starter
R09020101.3MV1	3	M	Flange Bolt M6x12
R09020101.4MV1	4	M	Fan Cover (with hole)
R09020101.5MV1	5	M	Flywheel Nut M14x1.5
R09020101.6MV1	6	M	Starting Cup
R09020101.7MV1	7	M	Fan
R09020101.8MV1	8	M	Flywheel
R09020101.9MV1	9	M	Governor Pull Rod
R09020101.10MV1	10	M	Small Governor Spring
R09020101.11MV1	11	M	Governor Arm
R09020101.12MV1	12	M	Water Pump Governor Spring
R09020101.13MV1	13	M	Flange Nut M6
R09020101.14MV1	14	M	Gasket 6
R09020101.15MV1	15	M	Governor Lever
R09020101.16MV1	16	M	Square Bolt M6x21
R09020101.17MV1	17	M	Water Pump Governing base
R09020101.18MV1	18	M	Oil seal
R09020101.19MV1	19	M	Flywheel side cover(With Plate)
R09020101.20MV1	20	M	Drain Plug
R09020101.21MV1	21	M	Drain Plug Gasket
R09020101.22MV1	22	M	Flange Bolt M6x12
R09020101.23MV1	23	M	Interdiction Organ
R09020101.24MV1	24	M	Crankcase
R09020101.25MV1	25	M	Crankcase Pin 98x14
R09020101.26MV1	26	M	Oil sensor
R09020101.27MV1	27	M	Flange Bolt M6x12
R09020101.28MV1	28	M	Bearing 6205
R09020101.29MV1	29	M	Governor Gear
R09020101.30MV1	30	M	Flywheel Key
R09020101.31MV1	31	M	Connecting rod Cover
R09020101.32MV1	32	M	Connecting rod Bolt
R09020101.33MV1	33	M	Crankcase Gasket
R09020101.34MV1	34	M	Oil ruler
R09020101.35MV1	35	M	Oil ruler Gasket
R09020101.36MV1	36	M	Low Crankcase cover
R09020101.37MV1	37	M	Flange Bolt M8x33
R09020101.38MV1	38	M	Flange Bolt M6x25
R09020101.39MV1	39	M	High Voltage Bag (By a foil beanie)
R09020101.40MV1	40	M	Cylinder Head Pin 98x16
R09020101.41MV1	41	M	Flange Bolt M8x55
R09020101.42MV1	42	M	Water Pump Air Cleaner
R09020101.43MV1	43	M	Air cleaner gasket
R09020101.44MV1	44	M	Water Pump Carburetor
R09020101.45MV1	45	M	Carburetor gasket
R09020101.46MV1	46	M	Carburetor Insulator
R09020101.47MV1	47	M	Carburetor Insulator Gasket
R09020101.48MV1	48	M	Water Pump Carburetor Stud Bolt M6x113
R09020101.49MV1	49	M	Cylinder head

Ref	N°	View	Description
R09020101.50MV1	50	M	Cylinder head gasket
R09020101.51MV1	51	M	Intake Valve
R09020101.52MV1	52	M	Exhaust Valve
R09020101.53MV1	53	M	Valve Lifter
R09020101.54MV1	54	M	Iron Camshaft
R09020101.55MV1	55	M	Breather tube
R09020101.56MV1	56	M	Exhaust Valve Hat
R09020101.57MV1	57	M	Exhaust Valve Spring Retainer
R09020101.58MV1	58	M	Intake Valve Spring Retainer
R09020101.59MV1	59	M	Valve Spring
R09020101.60MV1	60	M	Sparkplug
R09020101.61MV1	61	M	Flange Bolt M6x12
R09020101.62MV1	62	M	Cylinder head cover
R09020101.63MV1	63	M	Cylinder head cover gasket
R09020101.64MV1	64	M	Rocker Nut
R09020101.65MV1	65	M	Rocker adjust Nut
R09020101.66MV1	66	M	Rocker arm
R09020101.67MV1	67	M	Rocker Bolt
R09020101.68MV1	68	M	Push-Rod Keep Frame
R09020101.69MV1	69	M	Push-Rod
R09020101.70MV1	70	M	Exhaust pipe Gasket
R09020101.71MV1	71	M	Lead Wind Cover
R09020101.72MV1	72	M	Flange Bolt M6x8
R09020101.73MV1	73	M	Stud bolt M8x32
R09020101.74MV1	74	M	Piston pin clip
R09020101.75MV1	75	M	Connecting rod body
R09020101.76MV1	76	M	Water Pump Muffler
R09020101.77MV1	77	M	Nut M8
R09020101.78MV1	78	M	Top compression ring
R09020101.79MV1	79	M	Second compression ring
R09020101.80MV1	80	M	Oil ring
R09020101.81MV1	81	M	Piston pin
R09020101.82MV1	82	M	Piston
R09020101.83MV1	83	M	Crankshaft
R09020101.84MV1	84	M	Spring washer 8
R09020101.85MV1	85	M	Exhaust Pipe Guard
R09020101.86MV1	86	M	Fuel Pipe
R09020101.87MV1	87	M	Fuel pipe circlip
R09020101.88MV1	88	M	Nut M6
R09020101.89MV1	89	M	Cylinder head cover Guard
R09020101.90MV1	90	M	Fuel Tank cover
R09020101.91MV1	91	M	Fuel filter+The base
R09020101.92MV1	92	M	Fuel Tank
R09020101.93MV1	93	M	Flange Bolt M6x25
R09020101.94MV1	94	M	Fuel nozzle+Gasket
R09020101.95MV1	95	M	Nut M6
R09020101.96MV1	96	M	Governor Lever circlip
R09020101.97MV1	97	M	Round Flameout switch
R09020101.98MV1	98	M	Flange Bolt M8x16
R09020101.99MV1	99	M	Flange Bolt M6x12

## 5. DESPIECE SPARE PARTS PIÈCES DE RECHANGE

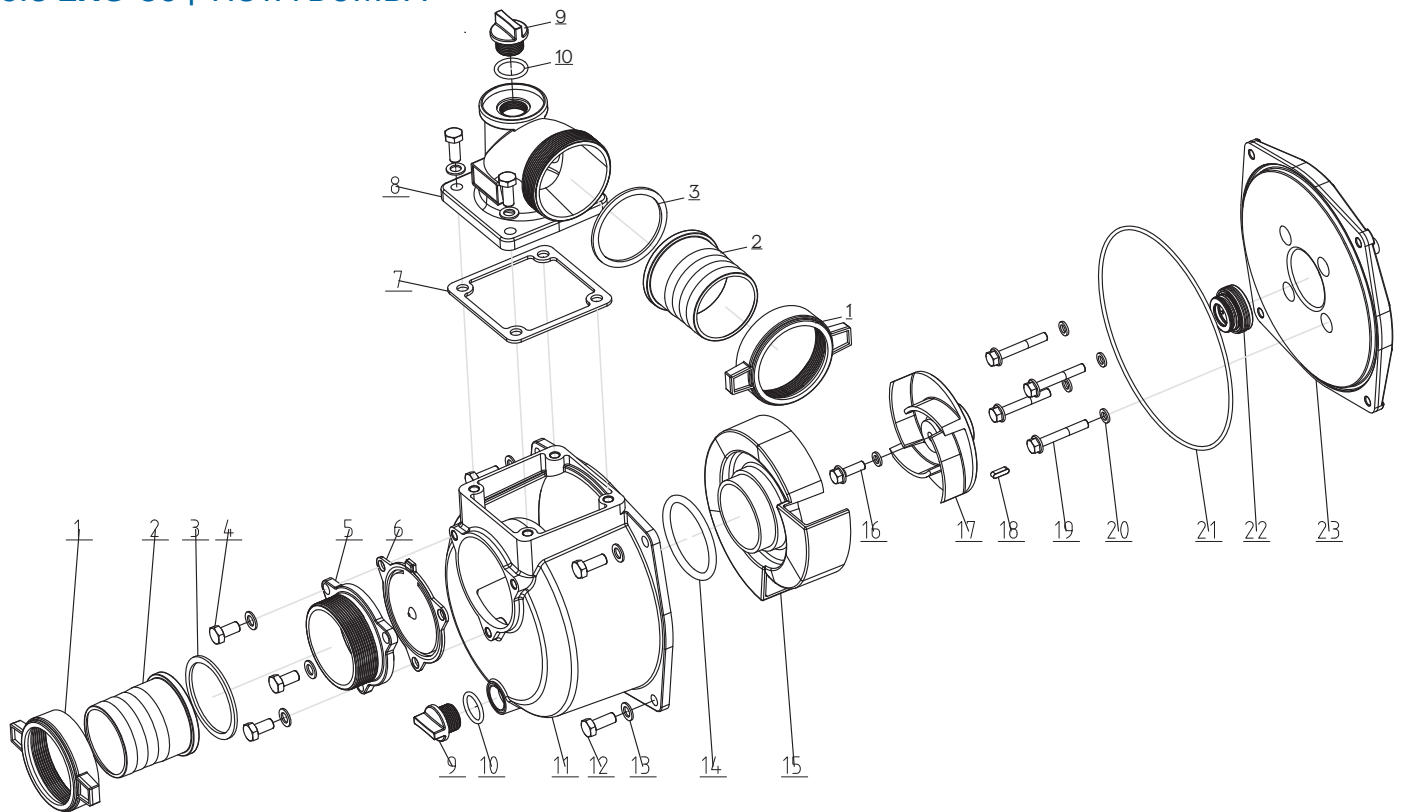
### 5.2 ENG-80 | VUE DU MOTEUR

Ref	N°	View	Description
R09020101.1MV1	1	M	Boulon à bride M6x8
R09020101.2MV1	2	M	Démarrreur à rappel
R09020101.3MV1	3	M	Boulon à bride M6x12
R09020101.4MV1	4	M	Couvercle de ventilateur (avec trou)
R09020101.5MV1	5	M	Ecrou de volant M14x1.5
R09020101.6MV1	6	M	Coupelle de démarrage
R09020101.7MV1	7	M	Ventilateur
R09020101.8MV1	8	M	Volant d'inertie
R09020101.9MV1	9	M	Tige de traction du gouverneur
R09020101.10MV1	10	M	Petit ressort de gouverneur
R09020101.11MV1	11	M	Bras du gouverneur
R09020101.12MV1	12	M	Pompe à eau Ressort du gouverneur
R09020101.13MV1	13	M	Ecrou à bride M6
R09020101.14MV1	14	M	Joint 6
R09020101.15MV1	15	M	Levier du gouverneur
R09020101.16MV1	16	M	Boulon carré M6x21
R09020101.17MV1	17	M	Pompe à eau Base du gouverneur
R09020101.18MV1	18	M	Joint d'huile
R09020101.19MV1	19	M	Couvercle latéral du volant moteur (avec plaque)
R09020101.20MV1	20	M	Bouchon de vidange
R09020101.21MV1	21	M	Joint de bouchon de vidange
R09020101.22MV1	22	M	Boulon à bride M6x12
R09020101.23MV1	23	M	Organe d'interception
R09020101.24MV1	24	M	Carter de vilebrequin
R09020101.25MV1	25	M	Goupille de carter 98x14
R09020101.26MV1	26	M	Capteur d'huile
R09020101.27MV1	27	M	Boulon à bride M6x12
R09020101.28MV1	28	M	Roulement 6205
R09020101.29MV1	29	M	Engrenage du gouverneur
R09020101.30MV1	30	M	Volant moteur Clé
R09020101.31MV1	31	M	Couvercle de bielle
R09020101.32MV1	32	M	Boulon de bielle
R09020101.33MV1	33	M	Joint de carter
R09020101.34MV1	34	M	Règle d'huile
R09020101.35MV1	35	M	Joint de règle à huile
R09020101.36MV1	36	M	Couvercle de carter bas
R09020101.37MV1	37	M	Boulon à bride M8x33
R09020101.38MV1	38	M	Boulon de bride M6x25
R09020101.39MV1	39	M	Sac haute tension (par un bonnet en aluminium)
R09020101.40MV1	40	M	Goupille de culasse 98x16
R09020101.41MV1	41	M	Boulon à bride M8x55
R09020101.42MV1	42	M	Pompe à eau Filtre à air
R09020101.43MV1	43	M	Joint de filtre à air
R09020101.44MV1	44	M	Pompe à eau Carburateur
R09020101.45MV1	45	M	Joint de carburateur
R09020101.46MV1	46	M	Isolateur de carburateur
R09020101.47MV1	47	M	Joint de l'isolateur du carburateur
R09020101.48MV1	48	M	Boulon de pompe à eau du carburateur M6x113
R09020101.49MV1	49	M	Tête de cylindre

Ref	N°	View	Description
R09020101.50MV1	50	M	Joint de culasse
R09020101.51MV1	51	M	Soupape d'admission
R09020101.52MV1	52	M	Soupape d'échappement
R09020101.53MV1	53	M	Soupape Lifter
R09020101.54MV1	54	M	Arbre à cames en Iron
R09020101.55MV1	55	M	Tube de reniflard
R09020101.56MV1	56	M	Chapeau de soupape d'échappement
R09020101.57MV1	57	M	Retenue de ressort de soupape d'échappement
R09020101.58MV1	58	M	Retenue de ressort de soupape d'admission
R09020101.59MV1	59	M	Ressort de soupape d'admission
R09020101.60MV1	60	M	Bougie d'allumage
R09020101.61MV1	61	M	Boulon de fixation M6x12
R09020101.62MV1	62	M	Couvercle de culasse
R09020101.63MV1	63	M	Joint de couvre-culasse
R09020101.64MV1	64	M	Ecrou de culbuteur
R09020101.65MV1	65	M	Ecrou de réglage du culbuteur
R09020101.66MV1	66	M	Bras de culbuteur
R09020101.67MV1	67	M	Boulon de culbuteur
R09020101.68MV1	68	M	Cadre de maintien de la tige de poussée
R09020101.69MV1	69	M	Boule de poussée
R09020101.70MV1	70	M	Joint de tuyau d'échappement
R09020101.71MV1	71	M	Couvercle du vent de plomb
R09020101.72MV1	72	M	Boulon à bride M6x8
R09020101.73MV1	73	M	Goujon M8x32
R09020101.74MV1	74	M	Clip d'axe de piston
R09020101.75MV1	75	M	Corps de bielle
R09020101.76MV1	76	M	Pompe à eau Silencieux
R09020101.77MV1	77	M	Écrou M8
R09020101.78MV1	78	M	Anneau de compression supérieur
R09020101.79MV1	79	M	Deuxième anneau de compression
R09020101.80MV1	80	M	Bague d'huile
R09020101.81MV1	81	M	Goupille de piston
R09020101.82MV1	82	M	Piston
R09020101.83MV1	83	M	Vilebrequin
R09020101.84MV1	84	M	Rondelle élastique 8
R09020101.85MV1	85	M	Protection du tuyau d'échappement
R09020101.86MV1	86	M	Tuyau de carburant
R09020101.87MV1	87	M	Circlip du tuyau de carburant
R09020101.88MV1	88	M	Ecrou M6
R09020101.89MV1	89	M	Couvercle de culasse Protection
R09020101.90MV1	90	M	Couvercle du réservoir de carburant
R09020101.91MV1	91	M	Filtre à carburant+La base
R09020101.92MV1	92	M	Réservoir de carburant
R09020101.93MV1	93	M	Boulon à bride M6x25
R09020101.94MV1	94	M	Pistolet à carburant+Joint
R09020101.95MV1	95	M	Ecrou M6
R09020101.96MV1	96	M	Circlip du levier du gouverneur
R09020101.97MV1	97	M	Interrupteur d'allumage rond
R09020101.98MV1	98	M	Boulon à bride M8x16
R09020101.99MV1	99	M	Boulon à bride M6x12

## 5. DESPIECE SPARE PARTS PIÈCES DE RECHANGE

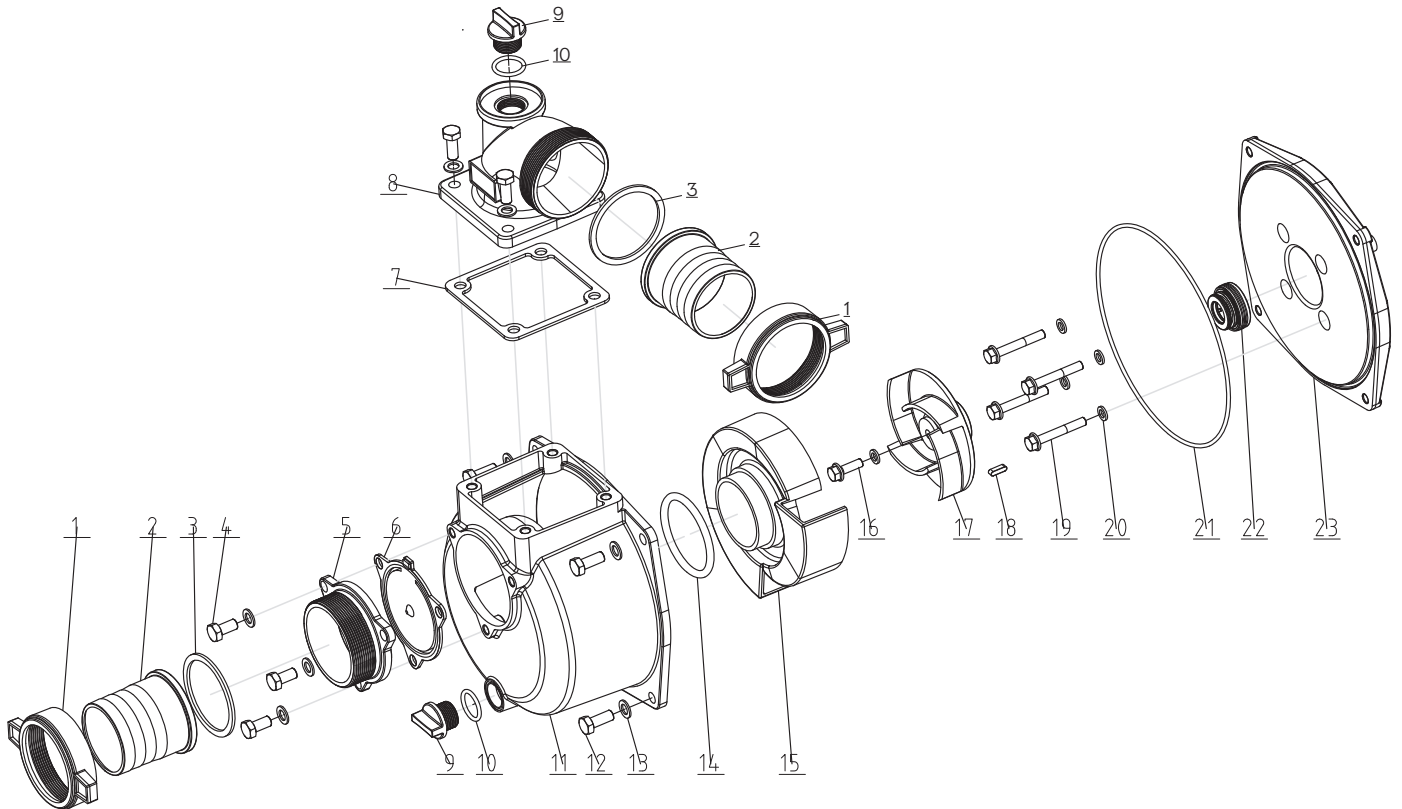
### 5.3 ENG-80 | VISTA BOMBA



Ref.	Nº	Vista	Descripción
R09020102.1B	1	B	Tuerca prensaestopas
R09020102.2B	2	B	Junta de tubo
R09020102.3B	3	B	Junta de unión
R09020102.4B	4	B	Tornillo M8X20
R09020102.5B	5	B	Brida de entrada de agua
R09020102.6B	6	B	Válvula de retención
R09020102.7B	7	B	Junta de la brida de salida
R09020102.8B	8	B	Junta de descarga de agua
R09020102.9B	9	B	Tornillo de drenaje
R09020102.10B	10	B	Junta tórica-1
R09020102.11B	11	B	Carcasa de la bomba
R09020102.12B	12	B	Tornillo M8x25
R09020102.13B	13	B	Junta pequeña 10
R09020102.14B	14	B	Junta tórica-2
R09020102.15B	15	B	Difusor
R09020102.16B	16	B	Perno M8x25
R09020102.17B	17	B	Impulsor
R09020102.18B	18	B	Llave plana 5x18
R09020102.19B	19	B	Perno M8x45
R09020102.20B	20	B	Junta perno M8
R09020102.21B	21	B	Junta tórica-3
R09010101.21BV3	22	B	Cierre mecánico
R09020102.23B	23	B	Base de bomba

## 5. DESPIECE SPARE PARTS PIÈCES DE RECHANGE

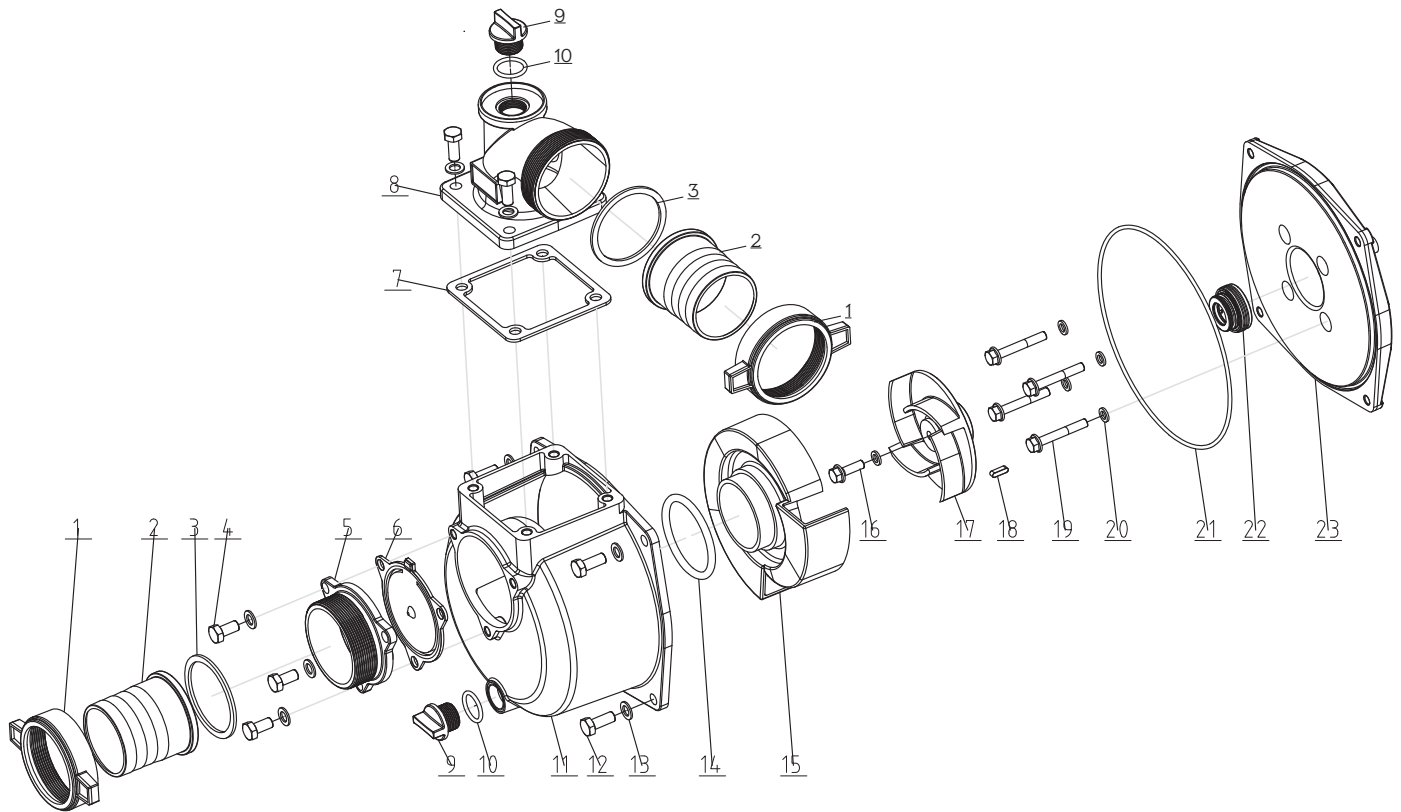
### 5.3 ENG-80 | PUMP VIEW



Ref.	N°	View	Description
R09020102.1B	1	B	Pipe joint gland nut
R09020102.2B	2	B	Pipe joint
R09020102.3B	3	B	Pipe joint gasket
R09020102.4B	4	B	Bolt M8X20
R09020102.5B	5	B	Water inlet flange
R09020102.6B	6	B	Check valve
R09020102.7B	7	B	Outlet flange gasket
R09020102.8B	8	B	Discharge water joint
R09020102.9B	9	B	Drain screw
R09020102.10B	10	B	O-type sealing ring-1
R09020102.11B	11	B	Pump casing
R09020102.12B	12	B	Bolt M8x25
R09020102.13B	13	B	Small gasket 10
R09020102.14B	14	B	O-type sealing ring-2
R09020102.15B	15	B	Guide flow cover
R09020102.16B	16	B	M8x25 bolt
R09020102.17B	17	B	Pump impeller
R09020102.18B	18	B	Flat key 5x18
R09020102.19B	19	B	M8x45 bolt
R09020102.20B	20	B	M8bolt gasket
R09020102.21B	21	B	O-type sealing ring-3
R09010101.21BV3	22	B	Water seal
R09020102.23B	23	B	Pump base

## 5. DESPIECE SPARE PARTS PIÈCES DE RECHANGE

### 5.3 ENG-80 | VUE POMPE



Ref.	N°	Voir	Description
R09020102.1B	1	B	Ecrou de presse-étoupe pour joint de tuyauterie
R09020102.2B	2	B	Joint de tuyau
R09020102.3B	3	B	Joint d'étanchéité du joint de tuyauterie
R09020102.4B	4	B	Boulon M8X20
R09020102.5B	5	B	Bride d'entrée d'eau
R09020102.6B	6	B	Clapet anti-retour
R09020102.7B	7	B	Joint de la bride de sortie
R09020102.8B	8	B	Joint d'évacuation de l'eau
R09020102.9B	9	B	Vis de vidange
R09020102.10B	10	B	Joint d'étanchéité de type O-1
R09020102.11B	11	B	Corps de pompe
R09020102.12B	12	B	Boulon M8x25
R09020102.13B	13	B	Petit joint 10
R09020102.14B	14	B	Joint d'étanchéité de type O-2
R09020102.15B	15	B	Couvercle de guidage
R09020102.16B	16	B	Boulon M8x25
R09020102.17B	17	B	Roue de pompe
R09020102.18B	18	B	Clé plate 5x18
R09020102.19B	19	B	Boulon M8x45
R09020102.20B	20	B	Joint de boulon M8
R09020102.21B	21	B	Joint d'étanchéité de type O-3
R09010101.21BV3	22	B	Joint d'eau
R09020102.23B	23	B	Base de la pompe

## 1. DESCRIPCIÓN DESCRIPTION DESCRIPTION

Motobombas de combustible de bajo consumo. Útil para abastecimientos de agua y drenaje para fábricas, minas, así como para riego de campos, etc.

Nuevo diseño único con función ergonómica.

Bastidor de bomba portátil y compacto.

Impulsor diseñado con sistema hidráulico de alta eficiencia.

Dispone de una salida frontal de 2" y dos salidas adicionales laterales de 1,5"

✳ Fuel-efficient motor pumps. Useful for water supply and drainage for factories, mines, as well as for irrigation of fields, etc.

New unique design with ergonomic function.

Portable and compact pump frame.

Impeller designed with high efficiency hydraulic system.

It has a 2' front outlet and two additional 1.5' side outlets.

🇫🇷 Pompes à moteur à faible consommation de carburant. Utile pour l'alimentation en eau et le drainage des usines, des mines, ainsi que pour l'irrigation des champs, etc.

Nouvelle conception unique avec fonction ergonomique.

Châssis de pompe portable et compact.

Roue conçue avec un système hydraulique à haut rendement.

Il dispose d'une sortie frontale de 2« et de deux sorties latérales supplémentaires de 1,5 ».



ENG-50H-2

### MATERIALES

Llave de la bomba: Aluminio

Tube: Aluminio

### ✳ MATERIALS

Pump key: Aluminium

Tube: Aluminium

### 🇫🇷 MATÉRIELS

Clé de pompe: Aluminium

Tube: Aluminium

### ÁREA DE TRABAJO

Temperatura máx. del líquido: 40°C

Nivel de ruido: 106dB (A)

Combustible: Gasolina

Aceite: SAE 15W-50

Depósito: 3,6L

### ✳ WORKING RANGE

Max. liquid temperature: 40°C

Noise level: 106dB (A)

Fuel: Petrol

Oil: SAE 15W-40

Fuel tank: 3,6L

### 🇫🇷 PLAGUE DE TRAVAIL

Température max. du fluide : 40°C

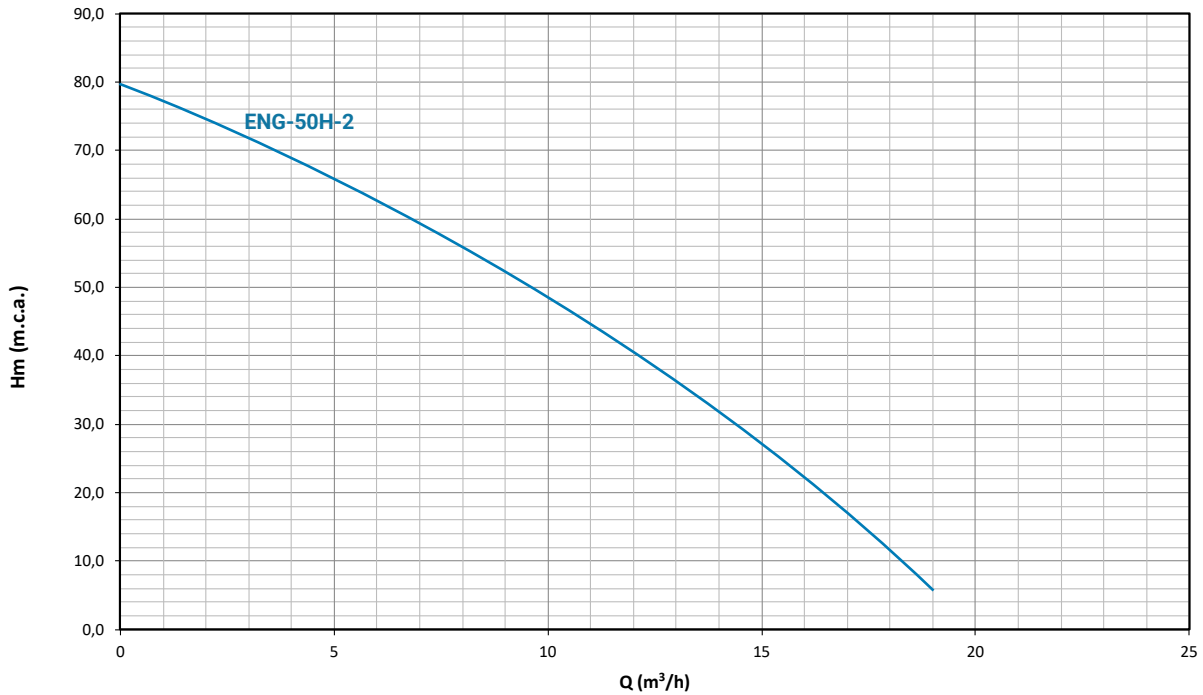
Niveau sonore: 106dB (A)

Carburant: Essence

Huile: SAE 15W-50

Réservoir: 3,6L

## 2. CURVAS CURVES COURBES

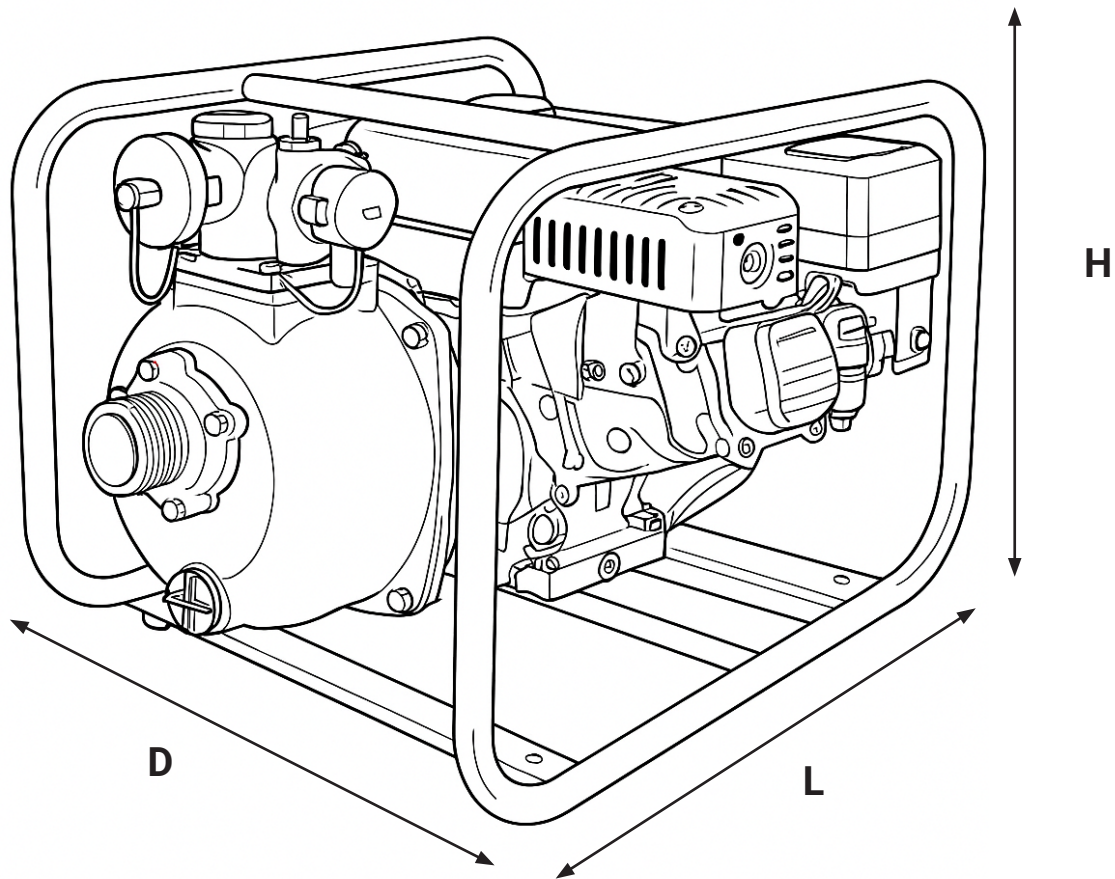


MODELO MODEL MODÈLE	P <sub>2</sub>		CAUDAL FLOW DÉBIT							
	kW	Hp	m³/h							
ENG-50H-2	5,2	7,0	0	5	7,5	10	12,5	15	17,5	20
			l/min	0	83,3	125	166,7	208,3	250	291,7
			ALTURA DE CARGA EN METROS			LOADING HEIGHT IN METRES		HAUTEUR DE CHARGEMENT EN MÈTRES		
ENG-50H-2	5,2	7,0	80	66	57	48	39	27	15	6

## 3. CARACTERISTICAS CHARACTERISTICS CARACTÉRISTIQUES

MODELO MODEL MODÈLE	DN	P <sub>2</sub>		ALTURA MÁX. MAX HEIGHT HAUTEUR MAX	CAUDAL MÁX. MAX FLOW DÉBIT MAX	ASPIRACIÓN ASPIRATION ASPIRATION	MOTOR MOTOR MOTEUR		PESO WEIGHT POIDS	DIMENSIONES DIMENSIONS DIMENSIONS
	ø"	kW	Hp	m	m³/h	m	Cilindrada	Tiempos	Kg	mm
ENG-50H-2	1 x 2" 2 x 1,5"	5,2	7,0	80	19	7	212 cc	4	26	500*400*395

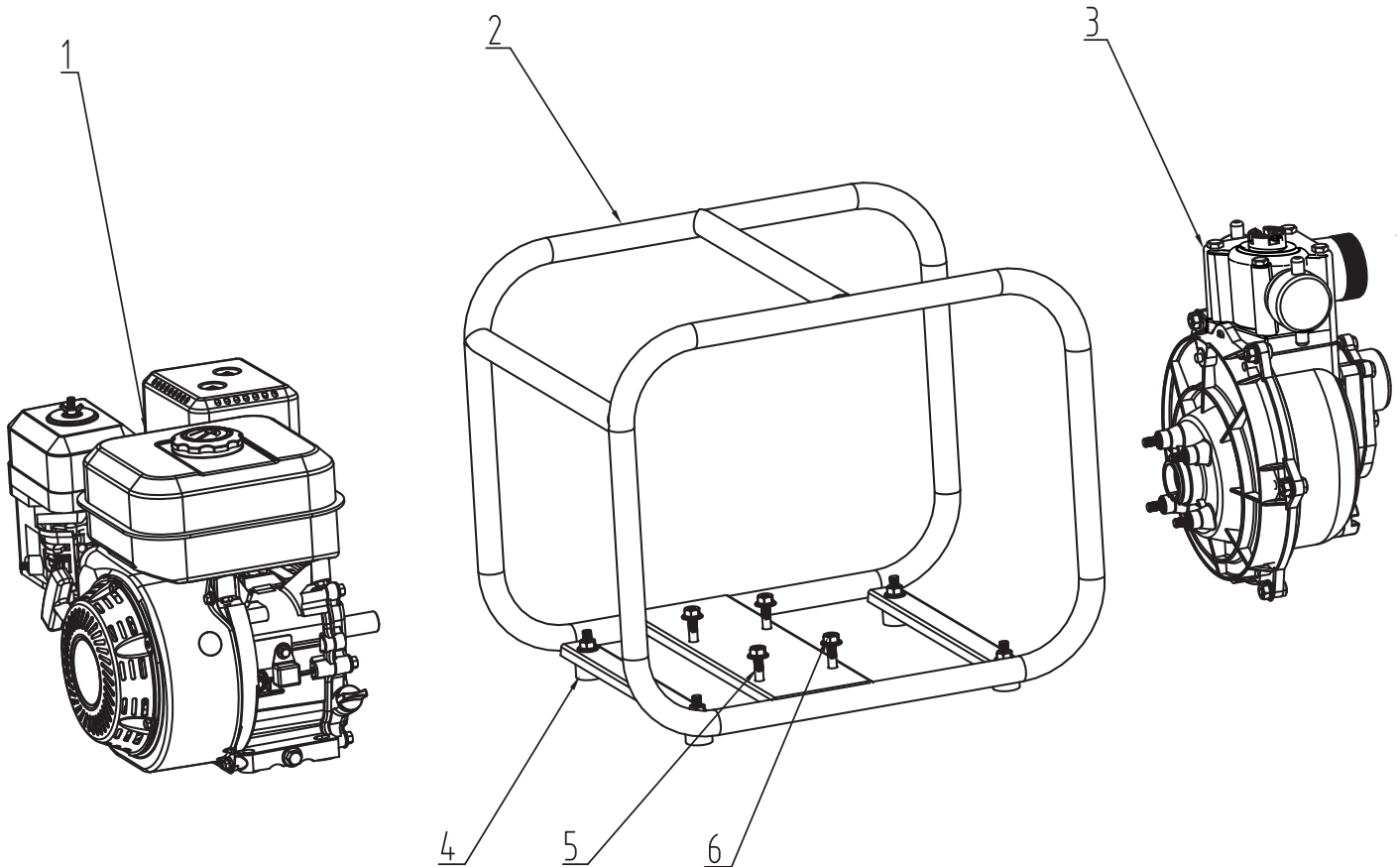
## 4. DIMENSIONES DIMENSIONS DIMENSIONS



MODELO MODEL MODÈLE	DN	L	D	H
	Ø"	mm	mm	mm
ENG-50H-2	1 x 2" 2 x 1,5"	49	39	38

## 5. DESPIECE SPARE PARTS PIÈCES DE RECHANGE

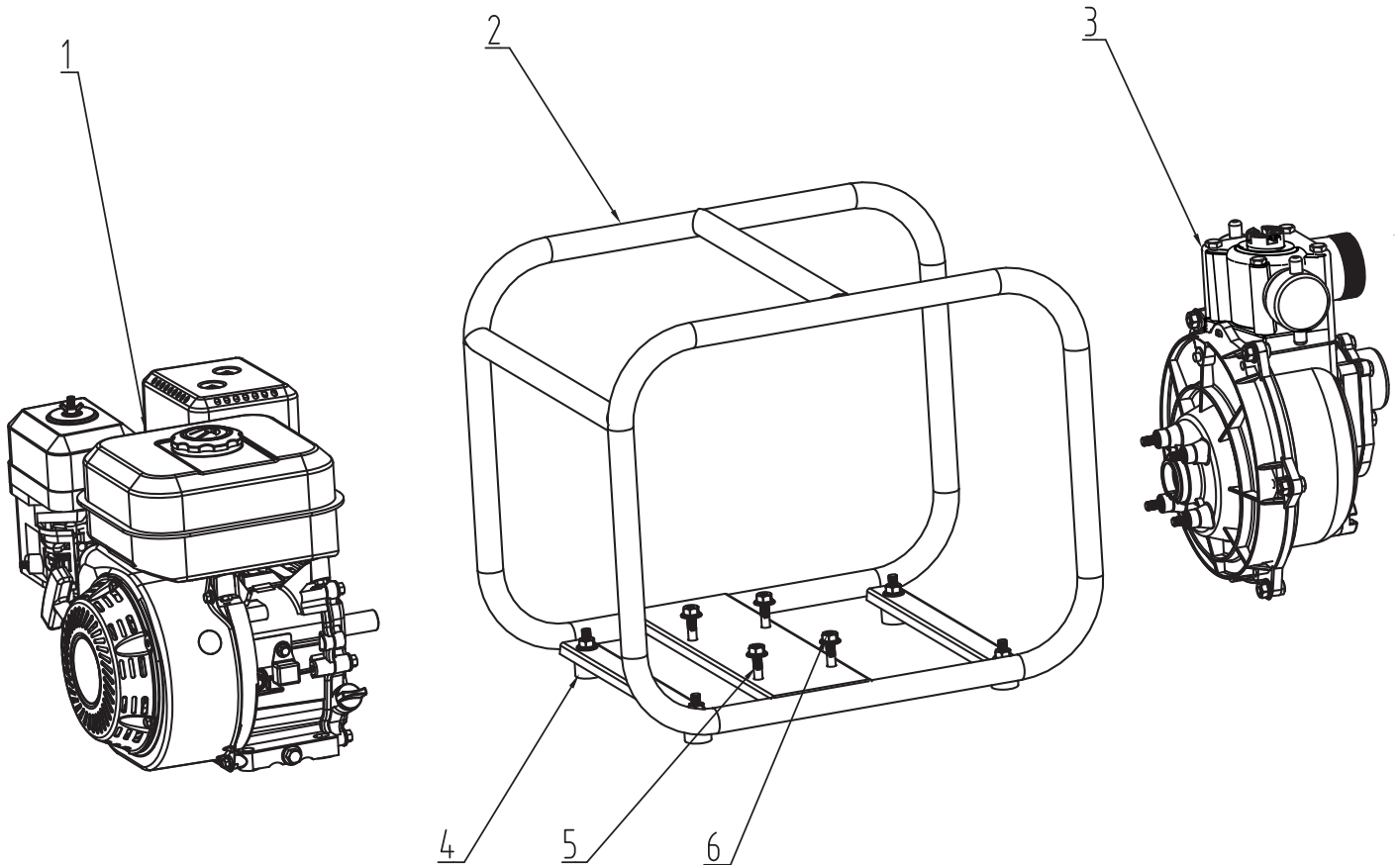
### 5.1 ENG-50H-2 | VISTA GENERAL



Ref.	Nº	Vista	Descripción
R09030101.1GV2	1	G	Motor de gasolina
R09030101.2G	2	G	Bastidor de la bomba de alta presión
R09030101.3G	3	G	Bomba de alta presión
R09030101.4G	4	G	Pies de goma
R09030101.5G	5	G	Pies de máquina Perno M8x35
R09030101.6G	6	G	Tuerca M8

## 5. DESPIECE SPARE PARTS PIÈCES DE RECHANGE

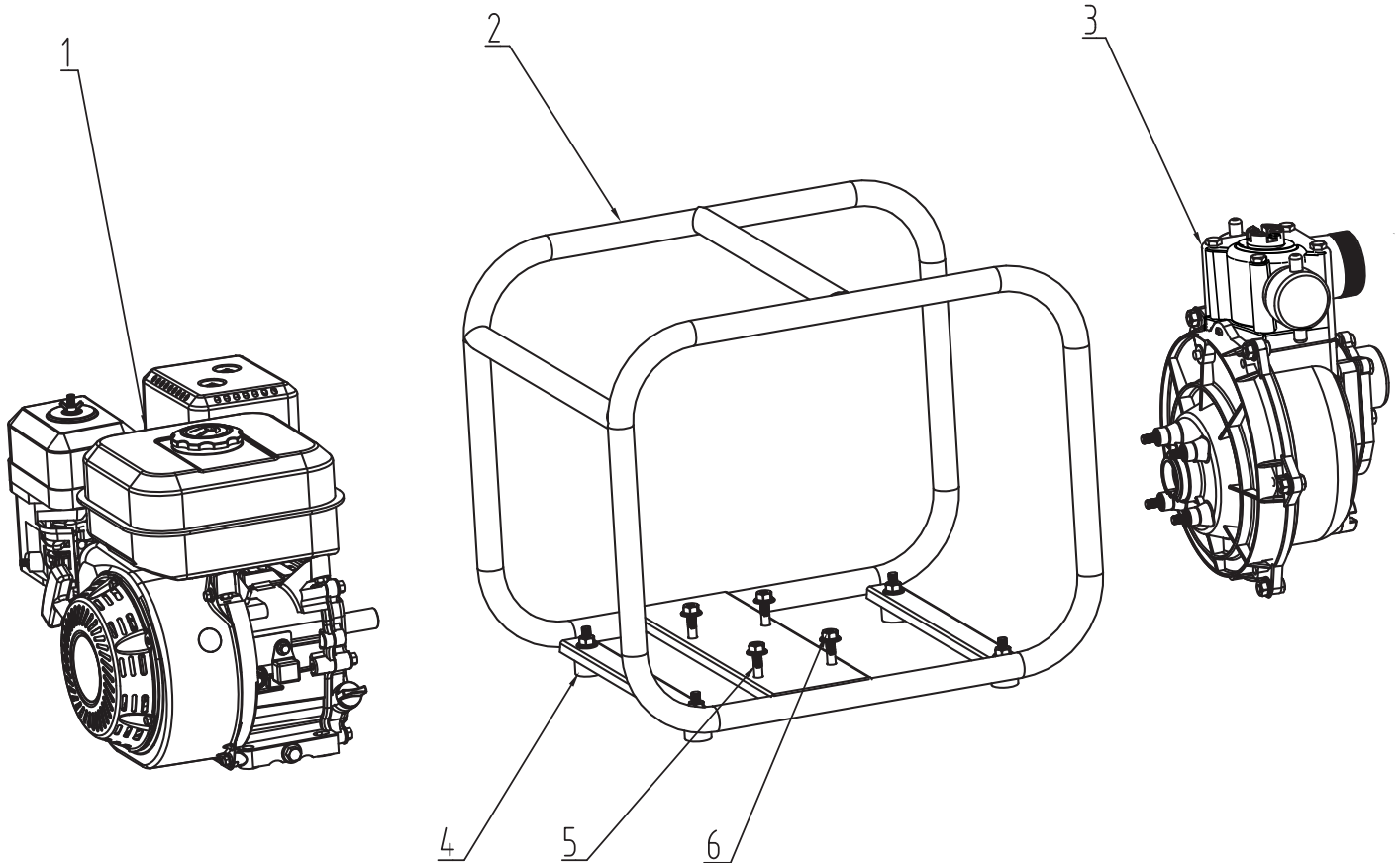
### 5.1 ENG-50H-2 | GENERAL VIEW



Ref.	N°	View	Description
R09030101.1GV2	1	G	Gasoline engine
R09030101.2G	2	G	High pressure pump frame
R09030101.3G	3	G	High pressure pump
R09030101.4G	4	G	Rubber feet
R09030101.5G	5	G	Machine feet bolt M8x35
R09030101.6G	6	G	M8 nut

## 5. DESPIECE SPARE PARTS PIÈCES DE RECHANGE

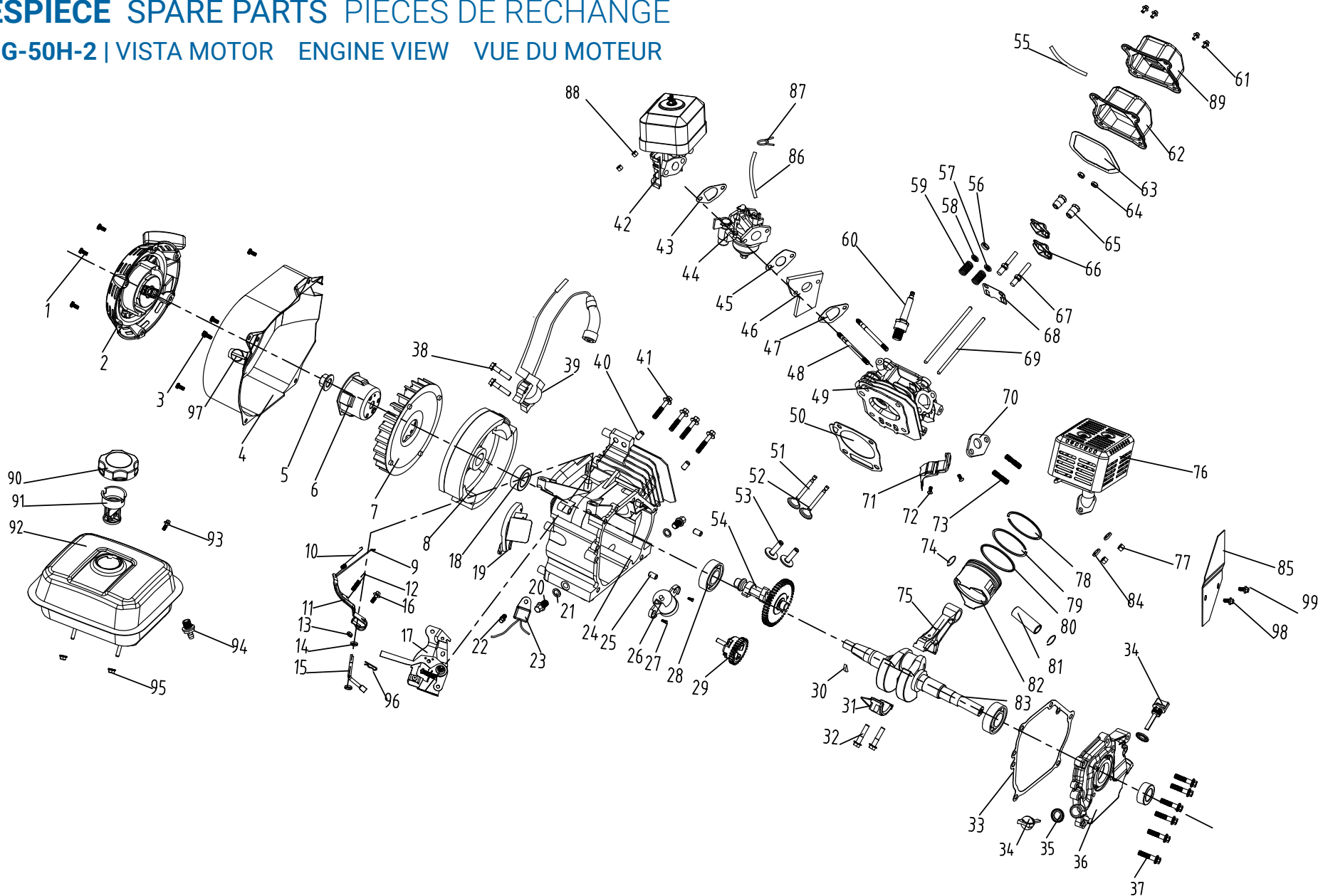
### 5.1 ENG-50H-2 | VUE GÉNÉRALE



Ref.	N°	Voir	Description
R09030101.1GV2	1	G	Moteur à essence
R09030101.2G	2	G	Châssis de la pompe haute pression
R09030101.3G	3	G	Pompe haute pression
R09030101.4G	4	G	Pieds en caoutchouc
R09030101.5G	5	G	Pieds de machine boulon M8x35
R09030101.6G	6	G	Ecrou M8

## 5. DESPIECE SPARE PARTS PIÈCES DE RECHANGE

### 5.2 ENG-50H-2 | VISTA MOTOR ENGINE VIEW VUE DU MOTEUR



## 5. DESPIECE SPARE PARTS PIÈCES DE RECHANGE

### 5.2 ENG-50H-2 | VISTA MOTOR



Ref.	Nº	Vista	Descripción
R09030101.1MV2	1	M	Tornillo de brida M6x8
R09020101.2MV2	2	M	Arrancador
R09020101.3MV2	3	M	Perno de brida M6x12
R09020101.4MV2	4	M	Cubierta del ventilador (con agujero)
R09020101.5MV2	5	M	Tuerca del volante M14x1,5
R09020101.6MV2	6	M	Taza de arranque
R09020101.7MV2	7	M	Ventilador
R09020101.8MV2	8	M	Volante
R09020101.9MV2	9	M	Varilla de tracción del regulador
R09020101.10MV2	10	M	Muelle pequeño del regulador
R09020101.11MV2	11	M	Brazo del regulador
R09020101.12MV2	12	M	Muelle del regulador de la bomba de agua
R09020101.13MV2	13	M	Tuerca de brida M6
R09020101.14MV2	14	M	Junta 6
R09020101.15MV2	15	M	Palanca del regulador
R09020101.16MV2	16	M	Perno cuadrado M6x21
R09020101.17MV2	17	M	Bomba de agua Base reguladora
R09020101.18MV2	18	M	Retén de aceite
R09020101.19MV2	19	M	Tapa lateral del volante (con placa)
R09020101.20MV2	20	M	Tapón de drenaje
R09020101.21MV2	21	M	Junta del tapón de drenaje
R09020101.22MV2	22	M	Perno brida M6x12
R09020101.23MV2	23	M	Órgano de interdicción
R09020101.24MV2	24	M	Cárter
R09020101.25MV2	25	M	Pasador Cárter 8x14
R09020101.26MV2	26	M	Sensor de aceite
R09020101.27MV2	27	M	Perno brida M6x12
R09020101.28MV2	28	M	Cojinete 6205
R09020101.29MV2	29	M	Engranaje del regulador
R09020101.30MV2	30	M	Llave del volante
R09020101.31MV2	31	M	Tapa de la biela
R09020101.32MV2	32	M	Tornillo biela
R09020101.33MV2	33	M	Junta del cárter
R09020101.34MV2	34	M	Regla de aceite
R09020101.35MV2	35	M	Regla aceite Junta
R09020101.36MV2	36	M	Tapa baja del cárter
R09020101.37MV2	37	M	Brida Tornillo M8x33
R09020101.38MV2	38	M	Tornillo brida M6x25
R09020101.39MV2	39	M	Bolsa de alta tensión (Por un gorrito de papel de aluminio)
R09020101.40MV2	40	M	Pasador Culata 98x16
R09020101.41MV2	41	M	Perno Brida M8x55
R09020101.42MV2	42	M	Bomba de Agua Filtro de Aire
R09020101.43MV2	43	M	Junta del filtro de aire
R09020101.44MV2	44	M	Bomba de Agua Carburador
R09020101.45MV2	45	M	Junta del carburador
R09020101.46MV2	46	M	Aislador del carburador
R09020101.47MV2	47	M	Junta aislante del carburador
R09020101.48MV2	48	M	Perno del carburador de la bomba de agua M6x113
R09020101.49MV2	49	M	Culata

Ref.	Nº	Vista	Descripción
R09020101.50MV2	50	M	Junta de culata
R09020101.51MV2	51	M	Válvula de admisión
R09020101.52MV2	52	M	Válvula de escape
R09020101.53MV2	53	M	Levantaválvulas
R09020101.54MV2	54	M	Árbol de levas
R09020101.55MV2	55	M	Tubo respiradero
R09020101.56MV2	56	M	Sombbrero de la válvula de escape
R09020101.57MV2	57	M	Retenedor del muelle de la válvula de escape
R09020101.58MV2	58	M	Retenedor del muelle de la válvula de admisión
R09020101.59MV2	59	M	Resorte de la válvula
R09020101.60MV2	60	M	Bujía
R09020101.61MV2	61	M	Tornillo M6x12
R09020101.62MV2	62	M	Tapa de culata
R09020101.63MV2	63	M	Junta de la tapa de culata
R09020101.64MV2	64	M	Tuerca del balancín
R09020101.65MV2	65	M	Tuerca ajuste balancín
R09020101.66MV2	66	M	Balancín
R09020101.67MV2	67	M	Perno balancín
R09020101.68MV2	68	M	Push-Rod Mantener Marco
R09020101.69MV2	69	M	Barra de empuje
R09020101.70MV2	70	M	Tubo de escape Junta
R09020101.71MV2	71	M	Cubreviento de plomo
R09020101.72MV2	72	M	Brida Perno M6x8
R09020101.73MV2	73	M	Perno prisionero M8x32
R09020101.74MV2	74	M	Pasador del pistón
R09020101.75MV2	75	M	Cuerpo de biela
R09020101.76MV2	76	M	Bomba de agua Silenciador
R09020101.77MV2	77	M	Tuerca M8
R09020101.78MV2	78	M	Anillo de compresión superior
R09020101.79MV2	79	M	Segundo anillo de compresión
R09020101.80MV2	80	M	Anillo de aceite
R09020101.81MV2	81	M	Pasador del pistón
R09020101.82MV2	82	M	Pistón
R09020101.83MV2	83	M	Cigüeñal
R09020101.84MV2	84	M	Arandela elástica 8
R09020101.85MV2	85	M	Protector del tubo de escape
R09020101.86MV2	86	M	Tubo de combustible
R09020101.87MV2	87	M	Circlip del tubo de combustible
R09020101.88MV2	88	M	Tuerca M6
R09020101.89MV2	89	M	Tapa de la culata Protector
R09020101.90MV2	90	M	Tapa Depósito Combustible
R09020101.91MV2	91	M	Filtro de combustible+La base
R09020101.92MV2	92	M	Depósito de combustible
R09020101.93MV2	93	M	Perno brida M6x25
R09020101.94MV2	94	M	Boquilla combustible+Junta
R09020101.95MV2	95	M	Tuerca M6
R09020101.96MV2	96	M	Circlip de la palanca del regulador
R09020101.97MV2	97	M	Interruptor de llama redondo
R09020101.98MV2	98	M	Perno de brida M8x16
R09020101.99MV2	99	M	Perno de brida M6x12

## 5. DESPIECE SPARE PARTS PIÈCES DE RECHANGE

### 5.2 ENG-50H-2 | ENGINE VIEW



Ref	N°	View	Description
R09030101.1MV2	1	M	Flange Bolt M6x8
R09020101.2MV2	2	M	Recoil starter
R09020101.3MV2	3	M	Flange Bolt M6x12
R09020101.4MV2	4	M	Fan Cover (with hole)
R09020101.5MV2	5	M	Flywheel Nut M14x1.5
R09020101.6MV2	6	M	Starting Cup
R09020101.7MV2	7	M	Fan
R09020101.8MV2	8	M	Flywheel
R09020101.9MV2	9	M	Governor Pull Rod
R09020101.10MV2	10	M	Small Governor Spring
R09020101.11MV2	11	M	Governor Arm
R09020101.12MV2	12	M	Water Pump Governor Spring
R09020101.13MV2	13	M	Flange Nut M6
R09020101.14MV2	14	M	Gasket 6
R09020101.15MV2	15	M	Governor Lever
R09020101.16MV2	16	M	Square Bolt M6x21
R09020101.17MV2	17	M	Water Pump Governing base
R09020101.18MV2	18	M	Oil seal
R09020101.19MV2	19	M	Flywheel side cover(With Plate)
R09020101.20MV2	20	M	Drain Plug
R09020101.21MV2	21	M	Drain Plug Gasket
R09020101.22MV2	22	M	Flange Bolt M6x12
R09020101.23MV2	23	M	Interdiction Organ
R09020101.24MV2	24	M	Crankcase
R09020101.25MV2	25	M	Crankcase Pin 98x14
R09020101.26MV2	26	M	Oil sensor
R09020101.27MV2	27	M	Flange Bolt M6x12
R09020101.28MV2	28	M	Bearing 6205
R09020101.29MV2	29	M	Governor Gear
R09020101.30MV2	30	M	Flywheel Key
R09020101.31MV2	31	M	Connecting rod Cover
R09020101.32MV2	32	M	Connecting rod Bolt
R09020101.33MV2	33	M	Crankcase Gasket
R09020101.34MV2	34	M	Oil ruler
R09020101.35MV2	35	M	Oil ruler Gasket
R09020101.36MV2	36	M	Low Crankcase cover
R09020101.37MV2	37	M	Flange Bolt M8x33
R09020101.38MV2	38	M	Flange Bolt M6x25
R09020101.39MV2	39	M	High Voltage Bag (By a foil beanie)
R09020101.40MV2	40	M	Cylinder Head Pin 98x16
R09020101.41MV2	41	M	Flange Bolt M8x55
R09020101.42MV2	42	M	Water Pump Air Cleaner
R09020101.43MV2	43	M	Air cleaner gasket
R09020101.44MV2	44	M	Water Pump Carburetor
R09020101.45MV2	45	M	Carburetor gasket
R09020101.46MV2	46	M	Carburetor Insulator
R09020101.47MV2	47	M	Carburetor Insulator Gasket
R09020101.48MV2	48	M	Water Pump Carburetor Stud Bolt M6x113
R09020101.49MV2	49	M	Cylinder head

Ref	N°	View	Description
R09020101.50MV2	50	M	Cylinder head gasket
R09020101.51MV2	51	M	Intake Valve
R09020101.52MV2	52	M	Exhaust Valve
R09020101.53MV2	53	M	Valve Lifter
R09020101.54MV2	54	M	Iron Camshaft
R09020101.55MV2	55	M	Breather tube
R09020101.56MV2	56	M	Exhaust Valve Hat
R09020101.57MV2	57	M	Exhaust Valve Spring Retainer
R09020101.58MV2	58	M	Intake Valve Spring Retainer
R09020101.59MV2	59	M	Va ve Spring
R09020101.60MV2	60	M	Sparkplug
R09020101.61MV2	61	M	F ange Bolt M6x12
R09020101.62MV2	62	M	Cylinder head cover
R09020101.63MV2	63	M	Cylinder head cover gasket
R09020101.64MV2	64	M	Rocker Nut
R09020101.65MV2	65	M	Rocker adjust Nut
R09020101.66MV2	66	M	Rocker arm
R09020101.67MV2	67	M	Rocker Bolt
R09020101.68MV2	68	M	Push-Rod Keep Frame
R09020101.69MV2	69	M	Push-Rod
R09020101.70MV2	70	M	Exhaust pipe Gasket
R09020101.71MV2	71	M	Lead Wind Cover
R09020101.72MV2	72	M	Flange Bolt M6x8
R09020101.73MV2	73	M	Stud bolt M8x32
R09020101.74MV2	74	M	Piston pin clip
R09020101.75MV2	75	M	Connecting rod body
R09020101.76MV2	76	M	Water Pump Muffler
R09020101.77MV2	77	M	Nut M8
R09020101.78MV2	78	M	Top compression ring
R09020101.79MV2	79	M	Second compression ring
R09020101.80MV2	80	M	Oil ring
R09020101.81MV2	81	M	Piston pin
R09020101.82MV2	82	M	Piston
R09020101.83MV2	83	M	Crankshaft
R09020101.84MV2	84	M	Spring washer 8
R09020101.85MV2	85	M	Exhaust Pipe Guard
R09020101.86MV2	86	M	Fuel Pipe
R09020101.87MV2	87	M	Fuel pipe circlip
R09020101.88MV2	88	M	Nut M6
R09020101.89MV2	89	M	Cylinder head cover Guard
R09020101.90MV2	90	M	Fuel Tank cover
R09020101.91MV2	91	M	Fuel filter+The base
R09020101.92MV2	92	M	Fuel Tank
R09020101.93MV2	93	M	Flange Bolt M6x25
R09020101.94MV2	94	M	Fuel nozzle+Gasket
R09020101.95MV2	95	M	Nut M6
R09020101.96MV2	96	M	Governor Lever circlip
R09020101.97MV2	97	M	Round Flameout switch
R09020101.98MV2	98	M	Flange Bolt M8x16
R09020101.99MV2	99	M	Flange Bolt M6x12

## 5. DESPIECE SPARE PARTS PIÈCES DE RECHANGE

### 5.2 ENG-50H-2 | VUE DU MOTEUR

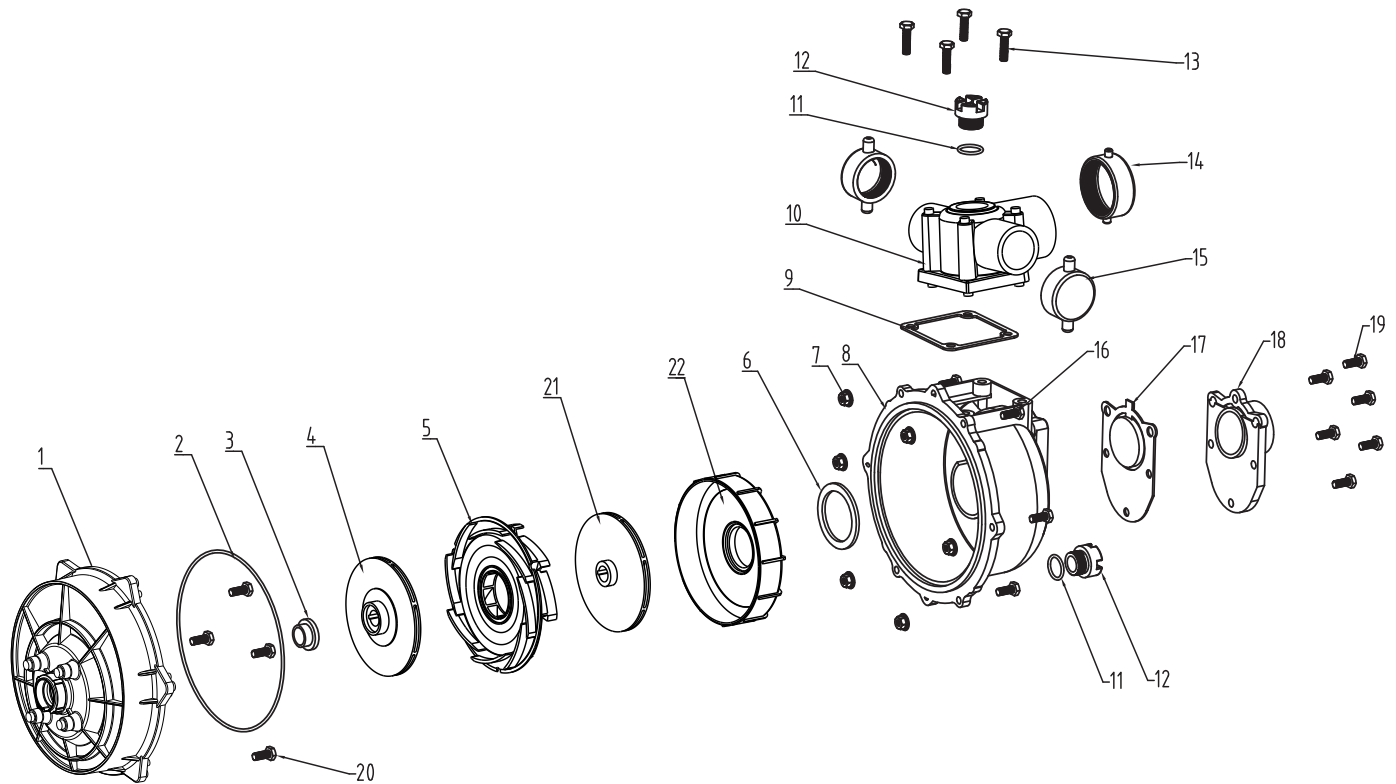


Ref	N°	View	Description
R09030101.1MV2	1	M	Boulon à bride M6x8
R09020101.2MV2	2	M	Démarrreur à rappel
R09020101.3MV2	3	M	Boulon à bride M6x12
R09020101.4MV2	4	M	Couvercle de ventilateur (avec trou)
R09020101.5MV2	5	M	Ecrou de volant M14x1.5
R09020101.6MV2	6	M	Coupelle de démarrage
R09020101.7MV2	7	M	Ventilateur
R09020101.8MV2	8	M	Volant d'inertie
R09020101.9MV2	9	M	Tige de traction du gouverneur
R09020101.10MV2	10	M	Petit ressort de gouverneur
R09020101.11MV2	11	M	Bras du gouverneur
R09020101.12MV2	12	M	Pompe à eau Ressort du gouverneur
R09020101.13MV2	13	M	Ecrou à bride M6
R09020101.14MV2	14	M	Joint 6
R09020101.15MV2	15	M	Levier du gouverneur
R09020101.16MV2	16	M	Boulon carré M6x21
R09020101.17MV2	17	M	Pompe à eau Base du gouverneur
R09020101.18MV2	18	M	Joint d'huile
R09020101.19MV2	19	M	Couvercle latéral du volant moteur (avec plaque)
R09020101.20MV2	20	M	Bouchon de vidange
R09020101.21MV2	21	M	Joint de bouchon de vidange
R09020101.22MV2	22	M	Boulon à bride M6x12
R09020101.23MV2	23	M	Organe d'interception
R09020101.24MV2	24	M	Carter de vilebrequin
R09020101.25MV2	25	M	Goupille de carter 98x14
R09020101.26MV2	26	M	Capteur d'huile
R09020101.27MV2	27	M	Boulon à bride M6x12
R09020101.28MV2	28	M	Roulement 6205
R09020101.29MV2	29	M	Engrenage du gouverneur
R09020101.30MV2	30	M	Volant moteur Clé
R09020101.31MV2	31	M	Couvercle de bielle
R09020101.32MV2	32	M	Boulon de bielle
R09020101.33MV2	33	M	Joint de carter
R09020101.34MV2	34	M	Règle d'huile
R09020101.35MV2	35	M	Joint de règle à huile
R09020101.36MV2	36	M	Couvercle de carter bas
R09020101.37MV2	37	M	Boulon à bride M8x33
R09020101.38MV2	38	M	Boulon de bride M6x25
R09020101.39MV2	39	M	Sac haute tension (par un bonnet en aluminium)
R09020101.40MV2	40	M	Goupille de culasse 98x16
R09020101.41MV2	41	M	Boulon à bride M8x55
R09020101.42MV2	42	M	Pompe à eau Filtre à air
R09020101.43MV2	43	M	Joint de filtre à air
R09020101.44MV2	44	M	Pompe à eau Carburateur
R09020101.45MV2	45	M	Joint de carburateur
R09020101.46MV2	46	M	Isolateur de carburateur
R09020101.47MV2	47	M	Joint de l'isolateur du carburateur
R09020101.48MV2	48	M	Boulon de pompe à eau du carburateur M6x113
R09020101.49MV2	49	M	Tête de cylindre

Ref	N°	View	Description
R09020101.50MV2	50	M	Joint de culasse
R09020101.51MV2	51	M	Soupape d'admission
R09020101.52MV2	52	M	Soupape d'échappement
R09020101.53MV2	53	M	Soupape Lifter
R09020101.54MV2	54	M	Arbre à cames en Iron
R09020101.55MV2	55	M	Tube de reniflard
R09020101.56MV2	56	M	Chapeau de soupape d'échappement
R09020101.57MV2	57	M	Retenue de ressort de soupape d'échappement
R09020101.58MV2	58	M	Retenue de ressort de soupape d'admission
R09020101.59MV2	59	M	Ressort de soupape d'admission
R09020101.60MV2	60	M	Bougie d'allumage
R09020101.61MV2	61	M	Boulon de fixation M6x12
R09020101.62MV2	62	M	Couvercle de culasse
R09020101.63MV2	63	M	Joint de couvre-culasse
R09020101.64MV2	64	M	Ecrou de culbuteur
R09020101.65MV2	65	M	Ecrou de réglage du culbuteur
R09020101.66MV2	66	M	Bras de culbuteur
R09020101.67MV2	67	M	Boulon de culbuteur
R09020101.68MV2	68	M	Cadre de maintien de la tige de poussée
R09020101.69MV2	69	M	Boule de poussée
R09020101.70MV2	70	M	Joint de tuyau d'échappement
R09020101.71MV2	71	M	Couvercle du vent de plomb
R09020101.72MV2	72	M	Boulon à bride M6x8
R09020101.73MV2	73	M	Goujon M8x32
R09020101.74MV2	74	M	Clip d'axe de piston
R09020101.75MV2	75	M	Corps de bielle
R09020101.76MV2	76	M	Pompe à eau Silencieux
R09020101.77MV2	77	M	Écrou M8
R09020101.78MV2	78	M	Anneau de compression supérieur
R09020101.79MV2	79	M	Deuxième anneau de compression
R09020101.80MV2	80	M	Bague d'huile
R09020101.81MV2	81	M	Goupille de piston
R09020101.82MV2	82	M	Piston
R09020101.83MV2	83	M	Vilebrequin
R09020101.84MV2	84	M	Rondelle élastique 8
R09020101.85MV2	85	M	Protection du tuyau d'échappement
R09020101.86MV2	86	M	Tuyau de carburant
R09020101.87MV2	87	M	Circlip du tuyau de carburant
R09020101.88MV2	88	M	Ecrou M6
R09020101.89MV2	89	M	Couvercle de culasse Protection
R09020101.90MV2	90	M	Couvercle du réservoir de carburant
R09020101.91MV2	91	M	Filtre à carburant+La base
R09020101.92MV2	92	M	Réservoir de carburant
R09020101.93MV2	93	M	Boulon à bride M6x25
R09020101.94MV2	94	M	Pistolet à carburant+Joint
R09020101.95MV2	95	M	Ecrou M6
R09020101.96MV2	96	M	Circlip du levier du gouverneur
R09020101.97MV2	97	M	Interrupteur d'allumage rond
R09020101.98MV2	98	M	Boulon à bride M8x16
R09020101.99MV2	99	M	Boulon à bride M6x12

## 5. DESPIECE SPARE PARTS PIÈCES DE RECHANGE

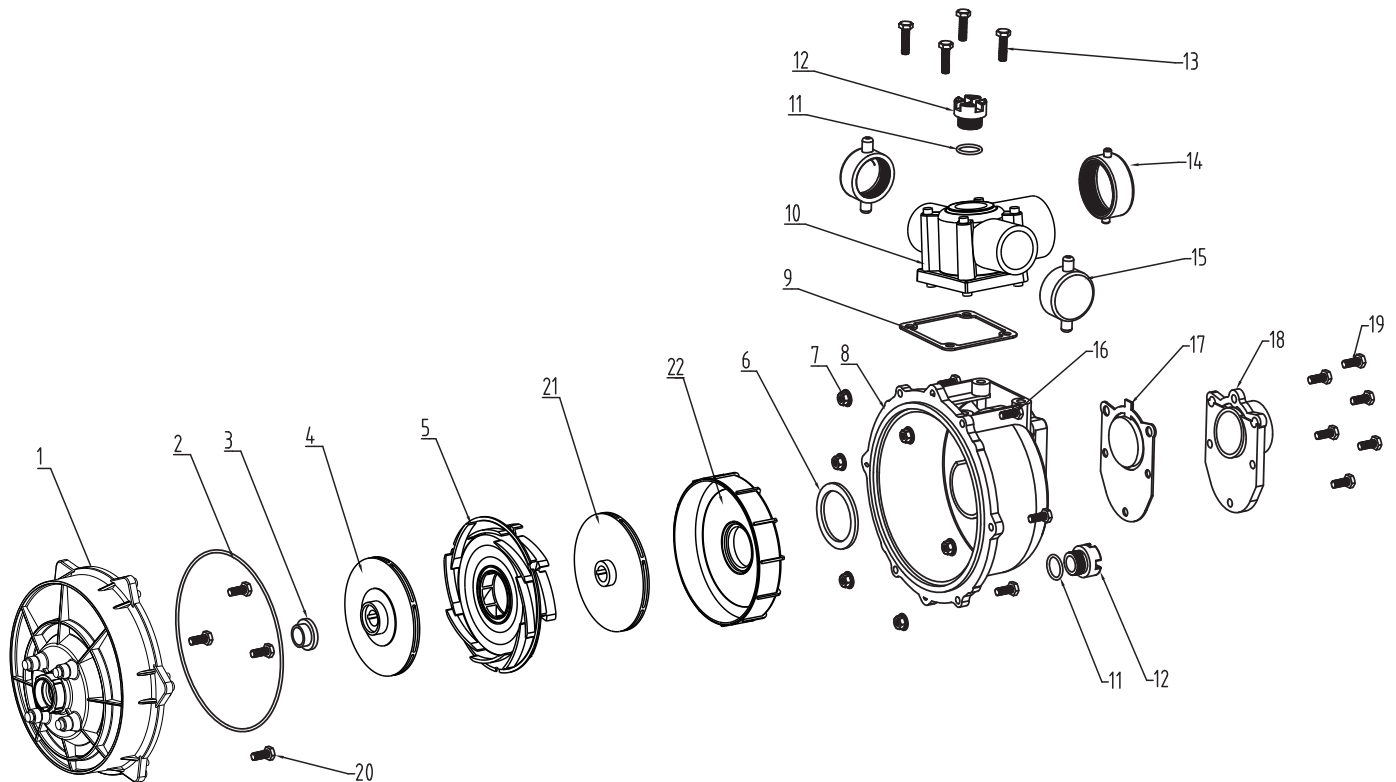
### 5.3 ENG-50H-2 | VISTA BOMBA



Ref.	Nº	Vista	Descripción
R09030101.1B	1	B	Base de bomba
R09030101.2B	2	B	Junta tórica-1
R09010101.21BV4	3	B	Cierre mecánico
R09030101.4B	4	B	Impulsor
R09030101.5B	5	B	Difusor
R09030101.6B	6	B	Arandela de estanqueidad
R09030101.7B	7	B	Tuerca M8
R09030101.8B	8	B	Carcasa de la bomba
R09030101.9B	9	B	Junta de la junta de descarga de agua
R09030101.10B	10	B	Junta de descarga de agua
R09030101.11B	11	B	Junta tórica-2
R09030101.12B	12	B	Tapón de drenaje de la bomba de agua
R09030101.13B	13	B	Tornillo M8x70
R09030101.14B	14	B	Tapa de la junta de descarga1
R09030101.15B	15	B	Tapa de la junta de descarga de agua2
R09030101.16B	16	B	Tornillo M8x30
R09030101.17B	17	B	Junta de la junta de agua de aspiración
R09030101.18B	18	B	Junta de agua de aspiración
R09030101.19B	19	B	Tornillo M8x25
R09030101.20B	20	B	Tornillo M8x45
R09030101.21B	21	B	Impulsor
R09030101.22B	22	B	Tapa del impulsor

## 5. DESPIECE SPARE PARTS PIÈCES DE RECHANGE

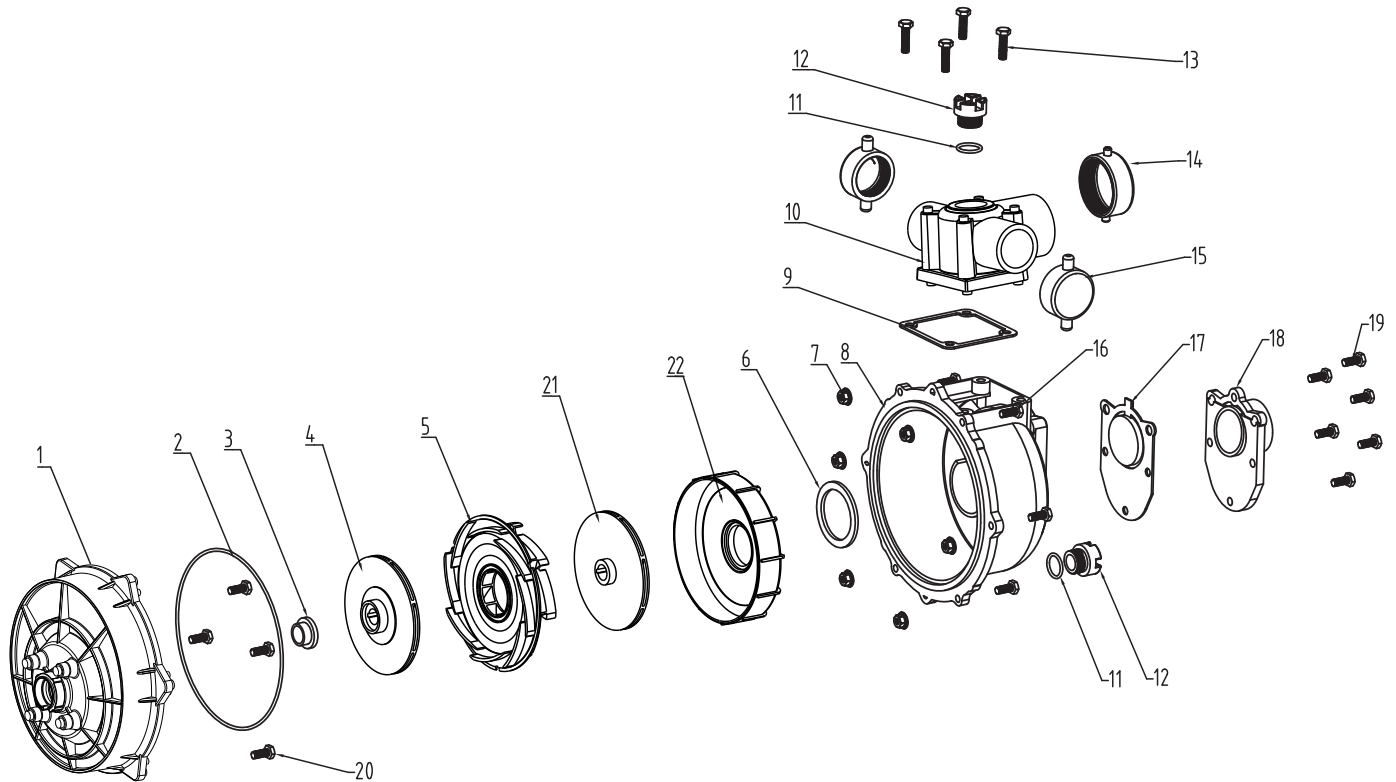
### 5.3 ENG-50H-2 | PUMP VIEW



Ref.	N°	View	Description
R09030101.1B	1	B	Pump base
R09030101.2B	2	B	O-type sealing ring-1
R09010101.21BV4	3	B	Water seal
R09030101.4B	4	B	Pump impeller
R09030101.5B	5	B	Guide flow cover
R09030101.6B	6	B	Sealing washer
R09030101.7B	7	B	Nut M8
R09030101.8B	8	B	Pump casing
R09030101.9B	9	B	Discharge water joint gasket
R09030101.10B	10	B	Discharge water joint
R09030101.11B	11	B	O-type sealing ring-2
R09030101.12B	12	B	Water pump drain plug
R09030101.13B	13	B	M8x70 bolt
R09030101.14B	14	B	Discharge water joint cover1
R09030101.15B	15	B	Discharge water joint cover2
R09030101.16B	16	B	M8x30 bolt
R09030101.17B	17	B	Suction water joint gasket
R09030101.18B	18	B	Suction water joint
R09030101.19B	19	B	M8x25 bolt
R09030101.20B	20	B	M8x45 bolt
R09030101.21B	21	B	Pump impeller 2
R09030101.22B	22	B	Impeller cover

## 5. DESPIECE SPARE PARTS PIÈCES DE RECHANGE

### 5.3 ENG-50H-2 | VUE POMPE



Ref.	N°	Voir	Description
R09030101.1B	1	B	Base de la pompe
R09030101.2B	2	B	Joint d'étanchéité de type O-1
R09010101.21BV4	3	B	Joint d'étanchéité
R09030101.4B	4	B	Roue de la pompe
R09030101.5B	5	B	Couvercle de guidage
R09030101.6B	6	B	Rondelle d'étanchéité
R09030101.7B	7	B	Ecrou M8
R09030101.8B	8	B	Corps de pompe
R09030101.9B	9	B	Joint de refoulement
R09030101.10B	10	B	Joint de refoulement
R09030101.11B	11	B	Joint d'étanchéité de type O-2
R09030101.12B	12	B	Bouchon de vidange de la pompe à eau
R09030101.13B	13	B	Boulon M8x70
R09030101.14B	14	B	Couvercle du joint d'eau de refoulement1
R09030101.15B	15	B	Couvercle du joint d'eau de refoulement2
R09030101.16B	16	B	Boulon M8x30
R09030101.17B	17	B	Joint du joint d'eau d'aspiration
R09030101.18B	18	B	Joint de l'eau d'aspiration
R09030101.19B	19	B	Boulon M8x25
R09030101.20B	20	B	Boulon M8x45
R09030101.21B	21	B	Roue de la pompe 2
R09030101.22B	22	B	Couvercle de roue

# Proindecsa

C/ Paraguay, parc. 13-5/6  
Polígono industrial Oeste  
30820 Alcantarilla, Murcia (Spain)

Tel. : +34 968 880 852  
proindecsa@proindecsa.com

[www.proindecsa.com](http://www.proindecsa.com)



🇪🇺 Proindecsa S.L. no se hace responsable de los posibles errores u omisiones que pueda contener este catálogo, ni de los daños o perjuicios que puedan derivarse de su uso. Proindecsa S.L. se reserva el derecho de modificar o actualizar el contenido de este catálogo en cualquier momento y sin previo aviso.

✳️ Proindecsa S.L. shall not be liable for any errors or omissions that this catalogue may contain, nor for any damages that may arise from its use. Proindecsa S.L. reserves the right to modify or update the contents of this catalogue at any time and without prior notice.

