

# PYD

## ELECTROBOMBAS

### SERIE

# IX

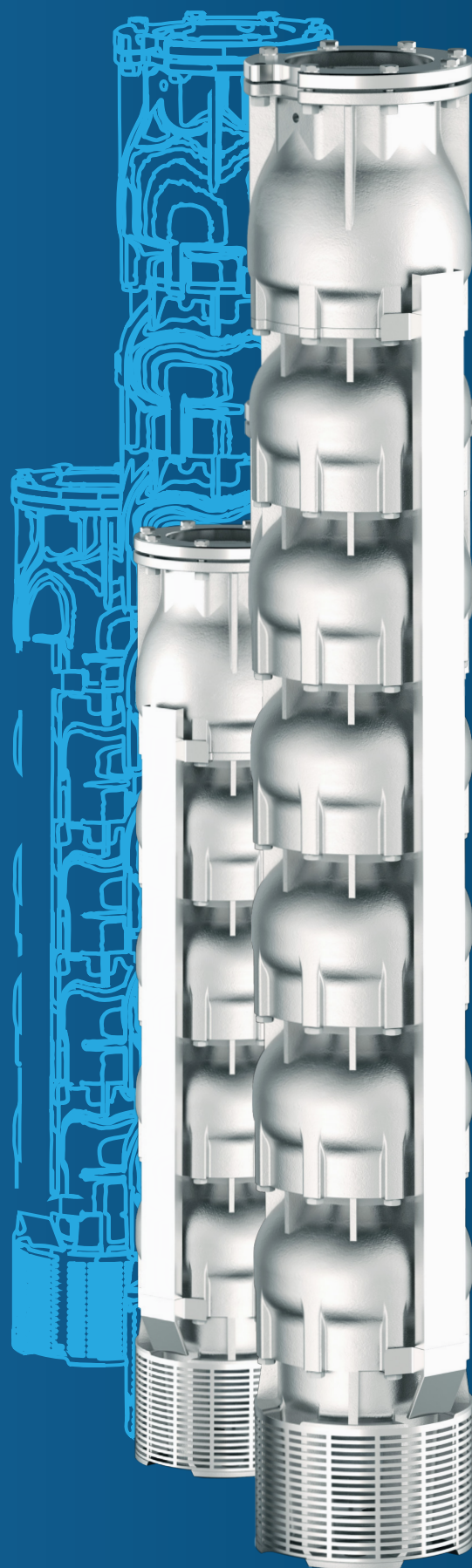
**BOMBA SEMIAXIAL EN ACERO INOX**  
STAINLESS STEEL SEMI-AXIAL PUMP  
POMPE SEMI-AXIALE EN ACIER INOXYDABLE

50 Hz  
6" 8" 10" 12"

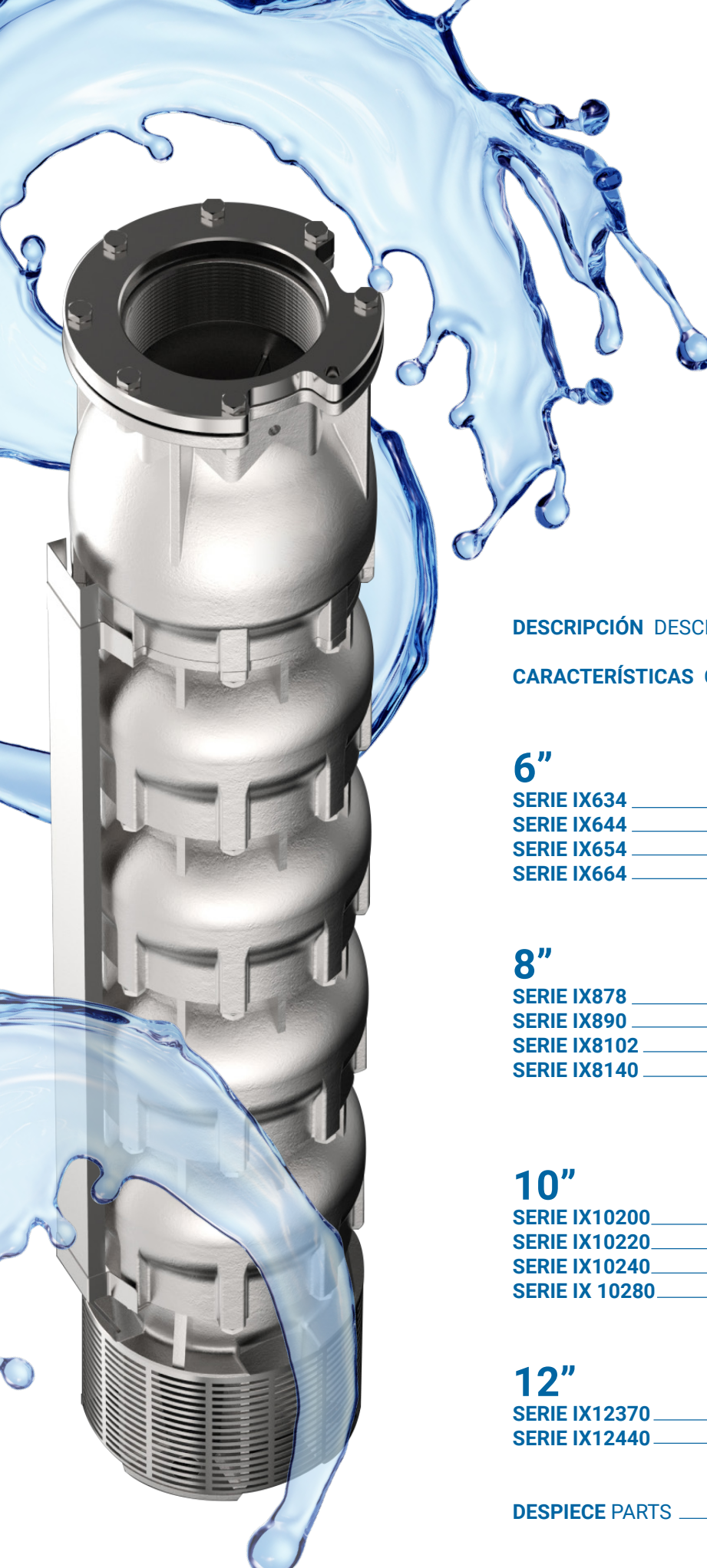


## CATÁLOGO TÉCNICO

TECHNICAL CATALOGUE  
CATALOGUE TECHNIQUE



# ÍNDICE



DESCRIPCIÓN DESCRIPTION \_\_\_\_\_ 03

CARACTERÍSTICAS CHARACTERISTICS \_\_\_\_\_ 04

## 6"

SERIE IX634 \_\_\_\_\_ 05

SERIE IX644 \_\_\_\_\_ 09

SERIE IX654 \_\_\_\_\_ 13

SERIE IX664 \_\_\_\_\_ 17

## 8"

SERIE IX878 \_\_\_\_\_ 19

SERIE IX890 \_\_\_\_\_ 21

SERIE IX8102 \_\_\_\_\_ 23

SERIE IX8140 \_\_\_\_\_ 25

## 10"

SERIE IX10200 \_\_\_\_\_ 29

SERIE IX10220 \_\_\_\_\_ 33

SERIE IX10240 \_\_\_\_\_ 35

SERIE IX 10280 \_\_\_\_\_ 37

## 12"

SERIE IX12370 \_\_\_\_\_ 39

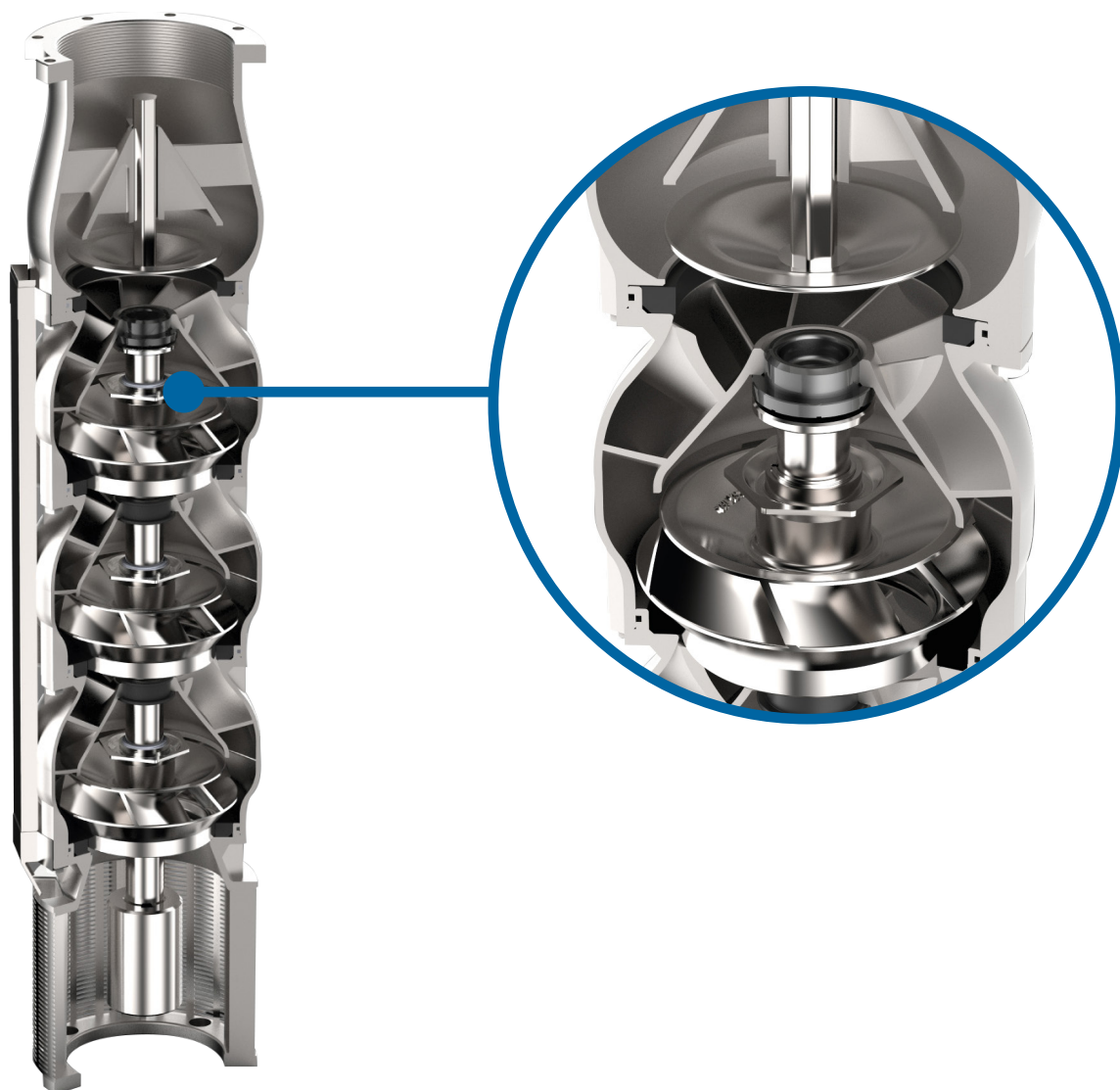
SERIE IX12440 \_\_\_\_\_ 43

DESPIECE PARTS \_\_\_\_\_ 47

**Las bombas sumergibles de la Serie IX están diseñadas para adaptarse a caudales de tipo medio-alto y alturas medias. Aptas para aguas limpias no agresivas tienen aplicaciones tanto domésticas y públicas, como industriales o de riego.**

The IX Series submersible pumps are designed to adapt to medium-high flow rates and medium heads. Suitable for clean, non-aggressive water, they are suitable for domestic and public, industrial and irrigation applications.

Les pompes submersibles de la série IX sont conçues pour des débits moyens à élevés et des hauteurs de chute moyennes. Adaptées aux eaux propres et non agressives, elles conviennent aux applications domestiques, publiques, industrielles et d'irrigation.



# 1. CARACTERÍSTICAS CHARACTERISTICS CARACTÉRISTIQUES

## MATERIALES

- **Cuerpo de aspiración e impulsión:** Acero AISI 304 microfundido
- **Válvula de retención:** Acero AISI 304
- **Anillos de desgaste:** EPDM
- **Contrasuspensión:** PTFE + 25% graf.

## MATERIALS

- **Suction and discharge body:** AISI 304 steel micro-cast.
- **Check valve:** AISI 304 steel
- **Wear rings:** EPDM
- **Backsuspension:** PTFE + 25% graf.

## MATÉRIAUX

- **Corps d'aspiration et de refoulement:** acier AISI 304 microfusion
- **Clapet anti-retour:** acier AISI 304
- **Anneaux d'usure:** EPDM
- **Contre-suspension:** PTFE + 25% graf.

## ÁREA DE TRABAJO

- **Caudal máx.:** 543 m<sup>3</sup>/h
- **Altura máx.:** 470 m
- **Contenido en sólido:** <50g/m<sup>3</sup>
- **Temperatura máx.:** Supeditada a t° del motor
- **Profundidad máx. de inmersión:** 350 m

## WORK AREA

- **Max. flow rate:** 543 m<sup>3</sup>/h
- **Max. head:** 470 m
- **Solid content:** <50g/m<sup>3</sup>
- **Max. temperature:** Dependent on engine temp.
- **Max. immersion depth:** 350 m

## ZONE DE TRAVAIL

- **Débit maximal:** 543 m<sup>3</sup>/h
- **Hauteur de chute maximale:** 470 m
- **Contenu solide:** < 50g/m<sup>3</sup>
- **Température maximale:** Dépend de la température du moteur
- **Profondeur d'immersion maximale:** 350 m



### MATERIAL

1) PTFE + 25 CARBON

CONTROSOSPENSIONE  
COUNTERTHRUST  
CONTRESUSPENSION

2) MATERIAL  
AISI 304

VITE  
SCREW  
VIS

3) MATERIAL  
AISI 304

DISCO  
RING



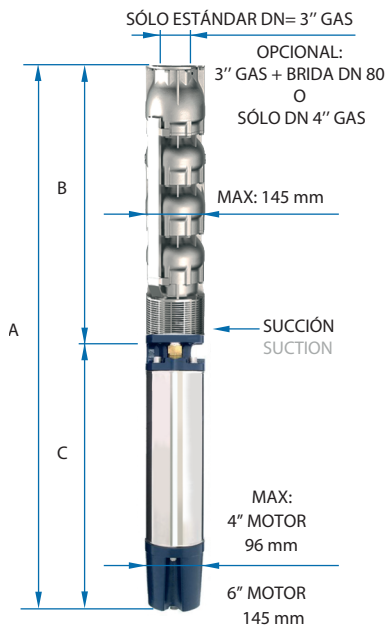


## SERIE IX634 | 03-14

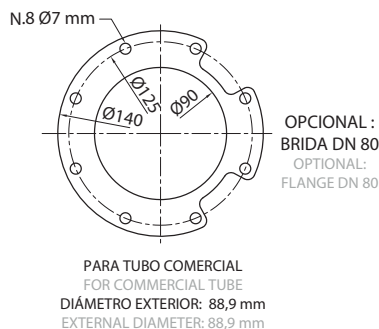
### 2. CURVAS CURVES COURBES

| Tipo<br>Type | Power |      | l/min<br>l/sec<br>m³/h | 0   | 300 | 400  | 500  | 600 | 700   | 800   |
|--------------|-------|------|------------------------|-----|-----|------|------|-----|-------|-------|
|              | kW    | HP   |                        | 0   | 5   | 6,67 | 8,33 | 10  | 11,67 | 13,33 |
|              |       |      |                        | 0   | 18  | 24   | 30   | 36  | 42    | 48    |
| IX634/03     | 4     | 5,5  | H(m)                   | 43  | 38  | 36   | 34   | 31  | 26    | 20    |
| IX634/04     | 5,5   | 7,5  |                        | 57  | 51  | 48   | 45   | 41  | 35    | 27    |
| IX634/05     | 7,5   | 10   |                        | 72  | 64  | 60   | 57   | 51  | 44    | 34    |
| IX634/06     | 9,2   | 12,5 |                        | 86  | 76  | 72   | 68   | 61  | 52    | 41    |
| IX634/07     | 9,2   | 12,5 |                        | 100 | 89  | 84   | 79   | 71  | 61    | 48    |
| IX634/08     | 11    | 15   |                        | 114 | 102 | 96   | 90   | 82  | 70    | 54    |
| IX634/09     | 13    | 17,5 |                        | 129 | 114 | 108  | 102  | 92  | 78    | 61    |
| IX634/10     | 15    | 20   |                        | 143 | 127 | 120  | 113  | 102 | 87    | 68    |
| IX634/11     | 15    | 20   |                        | 157 | 140 | 132  | 124  | 112 | 96    | 75    |
| IX634/12     | 18,5  | 25   |                        | 172 | 152 | 144  | 136  | 122 | 104   | 82    |
| IX634/13     | 18,5  | 25   |                        | 186 | 165 | 156  | 147  | 133 | 113   | 88    |
| IX634/14     | 22    | 30   |                        | 200 | 178 | 168  | 158  | 143 | 122   | 95    |

### 3. MEDIDAS MEASURES MESURES



| Tipo / Type | A mm<br>Tri V 400 | B mm | C mm Tri | M Kg Tri | P Kg |
|-------------|-------------------|------|----------|----------|------|
| IX634/03    | 1193              | 596  | 597      | 22       | 16   |
| IX634/04    | 1395              | 697  | 698      | 27       | 20   |
| IX634/05    | 1616              | 798  | 818      | 32       | 23   |
| IX634/06    | 1650              | 899  | 751      | 60       | 27   |
| IX634/07    | 1751              | 1000 | 751      | 60       | 30   |
| IX634/08    | 1912              | 1101 | 811      | 65       | 33   |
| IX634/09    | 2043              | 1202 | 841      | 70       | 37   |
| IX634/10    | 2234              | 1303 | 931      | 75       | 40   |
| IX634/11    | 2335              | 1404 | 931      | 75       | 44   |
| IX634/12    | 2496              | 1505 | 991      | 83       | 47   |
| IX634/13    | 2597              | 1606 | 991      | 83       | 51   |
| IX634/14    | 2778              | 1707 | 1071     | 92       | 54   |

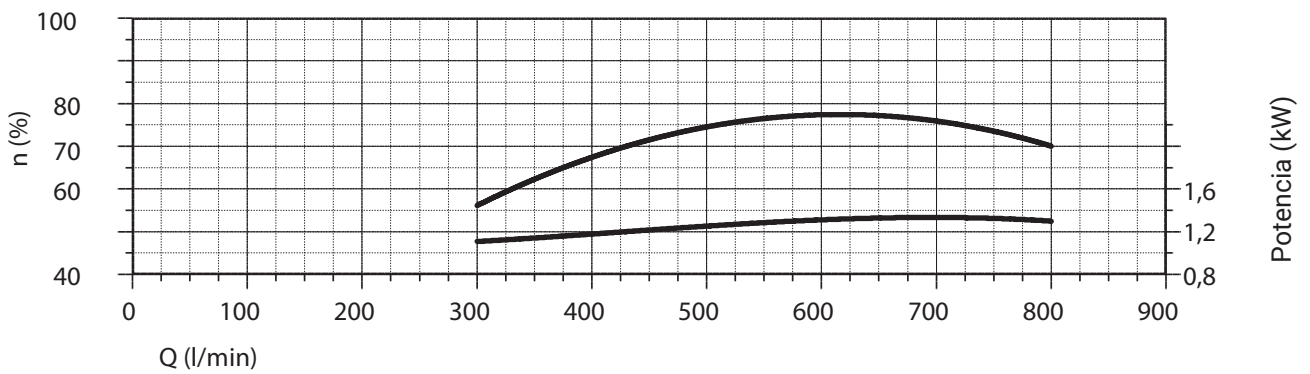
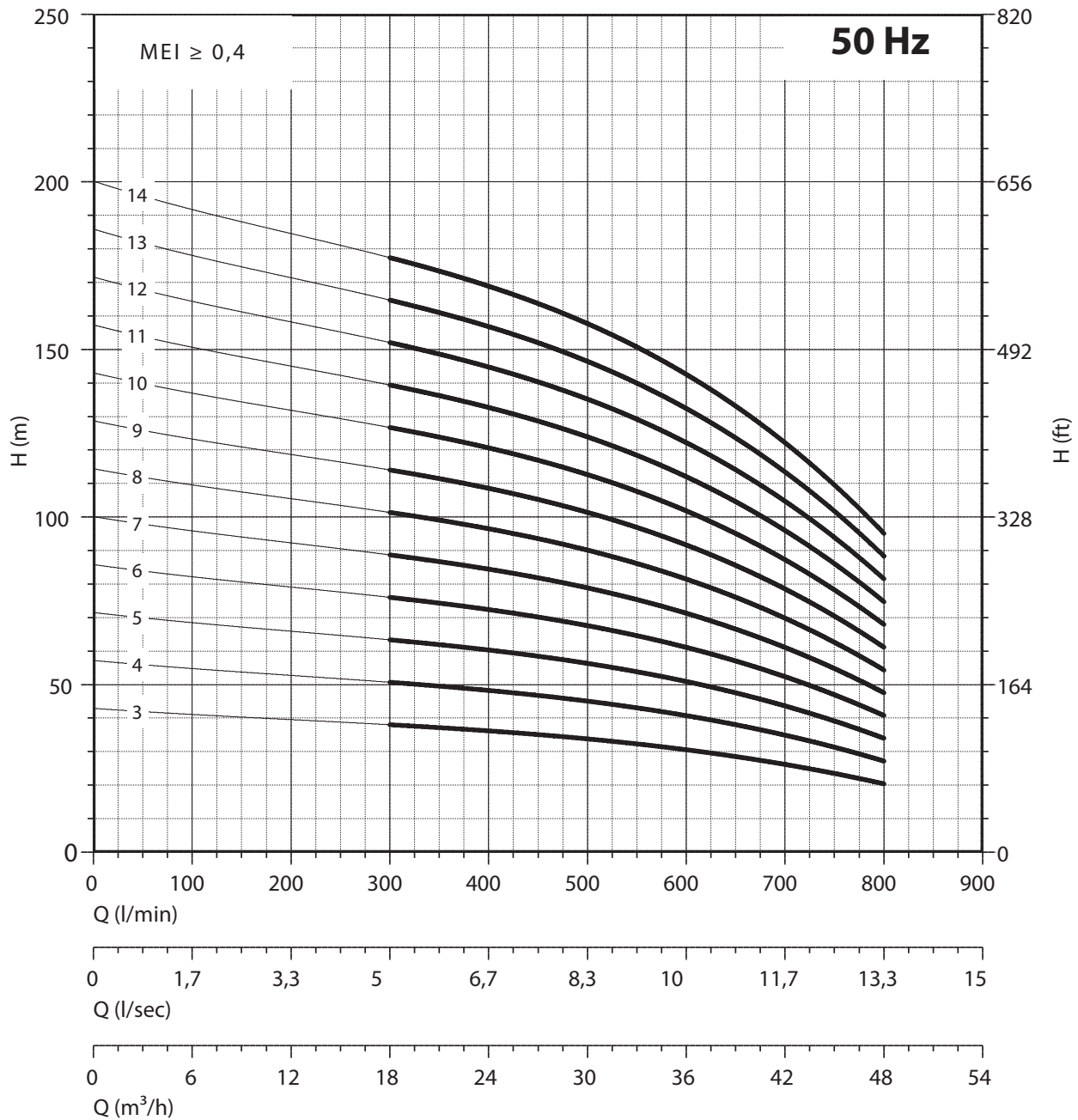


n% = Rendimiento de la bomba  
n% = Pump efficiency

Max  
76%

kW/st = Potencia absorbida por etapa  
kW/st = Stage absorption

Max  
1,33



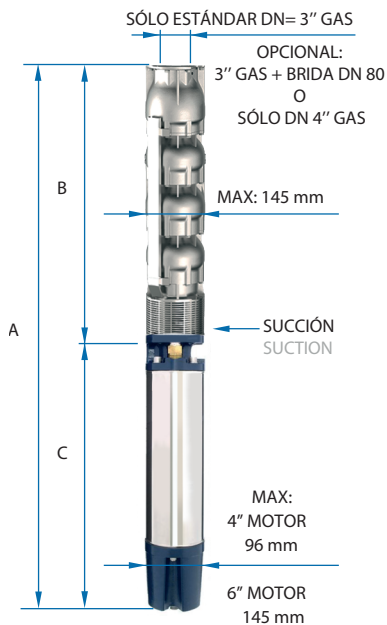
| NPSH (m) | 25% | 50% | 75% | 100% |
|----------|-----|-----|-----|------|
| IX634    | 3,4 | 3,4 | 3,8 | 8    |

## SERIE IX634 | 15-27

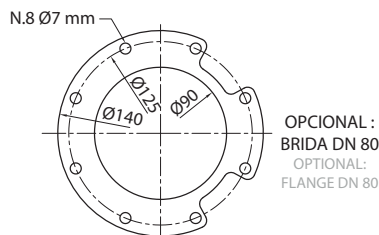
### 2. CURVAS CURVES COURBES

| Tipo<br>Type | Power |    | l/min<br>l/sec<br>m³/h | 0   | 300 | 400  | 500  | 600 | 700   | 800   |
|--------------|-------|----|------------------------|-----|-----|------|------|-----|-------|-------|
|              | kW    | HP |                        | 0   | 5   | 6,67 | 8,33 | 10  | 11,67 | 13,33 |
| IX634/15     | 22    | 30 | H(m)                   | 215 | 191 | 180  | 170  | 153 | 131   | 102   |
| IX634/16     | 22    | 30 |                        | 229 | 203 | 192  | 181  | 163 | 139   | 109   |
| IX634/17     | 26    | 35 |                        | 243 | 216 | 204  | 192  | 173 | 148   | 116   |
| IX634/18     | 26    | 35 |                        | 257 | 229 | 216  | 203  | 184 | 157   | 122   |
| IX634/19     | 26    | 35 |                        | 272 | 241 | 228  | 215  | 194 | 165   | 129   |
| IX634/20     | 30    | 40 |                        | 286 | 254 | 240  | 226  | 204 | 174   | 136   |
| IX634/21     | 30    | 40 |                        | 300 | 267 | 252  | 237  | 214 | 183   | 143   |
| IX634/22     | 30    | 40 |                        | 315 | 279 | 264  | 249  | 224 | 191   | 150   |
| IX634/23     | 37    | 50 |                        | 329 | 292 | 276  | 260  | 235 | 200   | 156   |
| IX634/24     | 37    | 50 |                        | 343 | 305 | 288  | 271  | 245 | 209   | 163   |
| IX634/25     | 37    | 50 |                        | 358 | 318 | 300  | 283  | 255 | 217   | 170   |
| IX634/26     | 37    | 50 |                        | 372 | 330 | 312  | 294  | 265 | 226   | 177   |
| IX634/27     | 37    | 50 |                        | 386 | 343 | 324  | 305  | 275 | 235   | 184   |

### 3. MEDIDAS MEASURES MESURES



| Tipo / Type | A mm<br>Tri V 400 | B mm | C mm Tri | M Kg Tri | P Kg |
|-------------|-------------------|------|----------|----------|------|
| IX634/15    | 2879              | 1808 | 1071     | 92       | 58   |
| IX634/16    | 2980              | 1909 | 1071     | 92       | 61   |
| IX634/17    | 3191              | 2010 | 1181     | 100      | 64   |
| IX634/18    | 3292              | 2111 | 1181     | 100      | 68   |
| IX634/19    | 3393              | 2212 | 1181     | 100      | 71   |
| IX634/20    | 3564              | 2313 | 1251     | 108      | 75   |
| IX634/21    | 3665              | 2414 | 1251     | 108      | 78   |
| IX634/22    | 3766              | 2515 | 1251     | 108      | 82   |
| IX634/23    | 3957              | 2616 | 1341     | 118      | 85   |
| IX634/24    | 4058              | 2717 | 1341     | 118      | 89   |
| IX634/25    | 4159              | 2818 | 1341     | 118      | 92   |
| IX634/26    | 4260              | 2919 | 1341     | 118      | 96   |
| IX634/27    | 4361              | 3020 | 1341     | 118      | 99   |



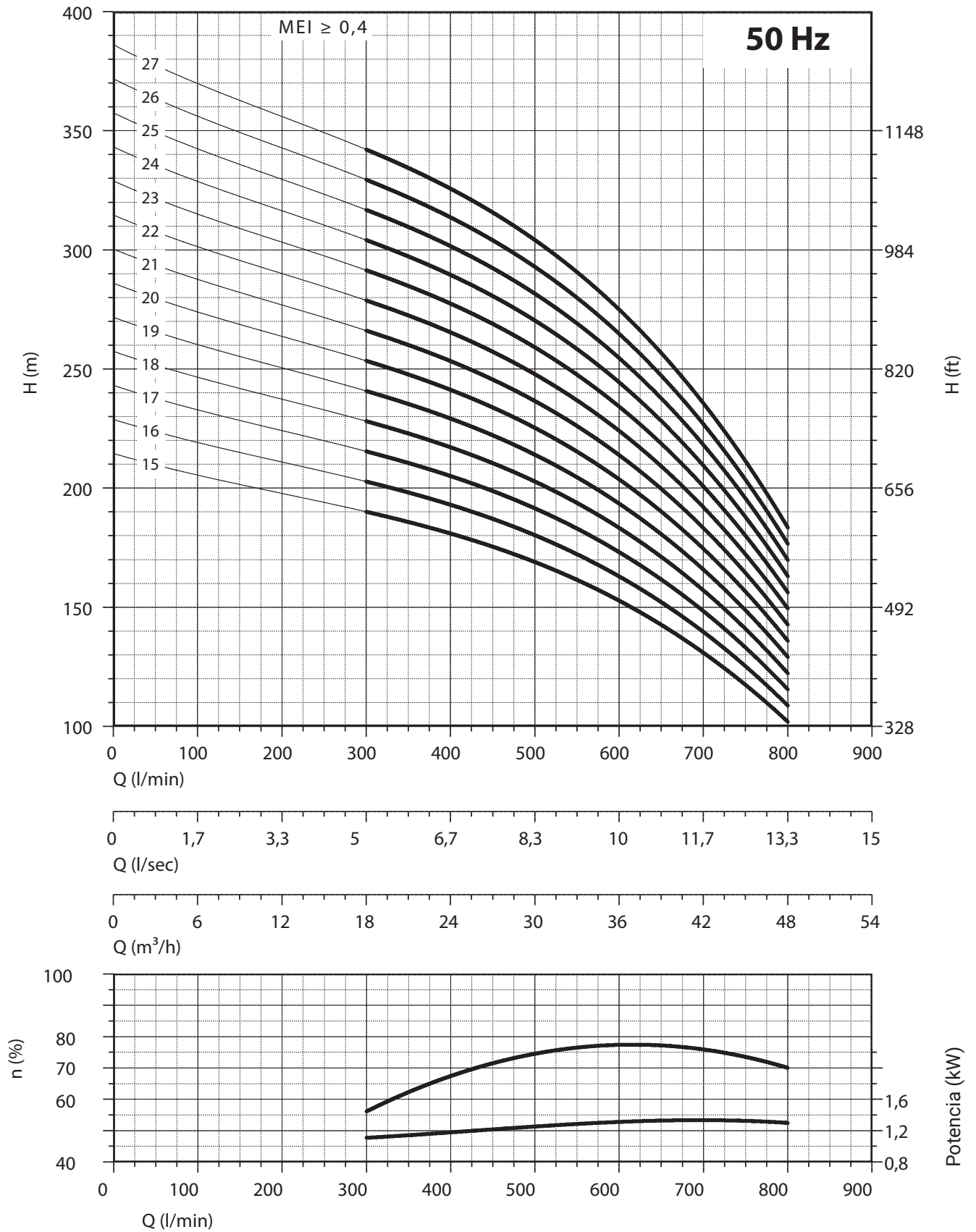
PARA TUBO COMERCIAL  
FOR COMMERCIAL TUBE  
DIÁMETRO EXTERIOR: 88,9 mm  
EXTERNAL DIAMETER: 88,9 mm

n% = Rendimiento de la bomba  
n% = Pump efficiency

Max  
76%

kW/st = Potencia absorbida por etapa  
kW/st = Stage absorption

Max  
1,33



| NPSH (m) | 25% | 50% | 75% | 100% |
|----------|-----|-----|-----|------|
| IX634    | 3,4 | 3,4 | 3,8 | 8    |

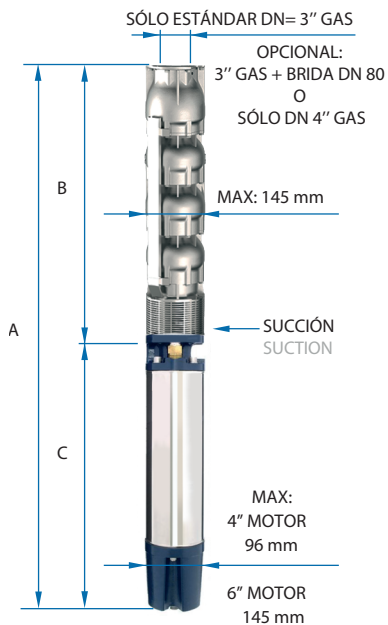


## SERIE IX644 | 04-14

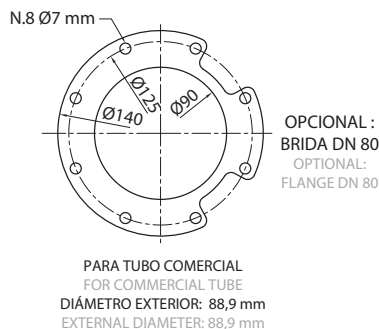
### 2. CURVAS CURVES COURBES

| Tipo<br>Type | Power |      | l/min<br>l/sec<br>m³/h | 0   | 400  | 500  | 600 | 700   | 800   | 900 | 1000  |
|--------------|-------|------|------------------------|-----|------|------|-----|-------|-------|-----|-------|
|              | kW    | HP   |                        | 0   | 6,67 | 8,33 | 10  | 11,67 | 13,33 | 15  | 16,67 |
| IX644/04     | 5,50  | 7,5  |                        | 56  | 46   | 44   | 42  | 39    | 35    | 30  | 26    |
| IX644/05     | 7,50  | 10   |                        | 70  | 57   | 56   | 53  | 49    | 44    | 37  | 32    |
| IX644/06     | 9,20  | 12,5 |                        | 84  | 68   | 67   | 64  | 59    | 53    | 44  | 38    |
| IX644/07     | 11    | 15   |                        | 98  | 80   | 78   | 74  | 69    | 62    | 52  | 45    |
| IX644/08     | 13    | 17,5 |                        | 112 | 91   | 89   | 85  | 78    | 70    | 59  | 51    |
| IX644/09     | 13    | 17,5 | H(m)                   | 126 | 103  | 100  | 95  | 88    | 79    | 67  | 58    |
| IX644/10     | 15    | 20   |                        | 140 | 114  | 111  | 106 | 98    | 88    | 74  | 64    |
| IX644/11     | 18,50 | 25   |                        | 154 | 125  | 122  | 117 | 108   | 97    | 81  | 70    |
| IX644/12     | 18,50 | 25   |                        | 168 | 137  | 133  | 127 | 118   | 106   | 89  | 77    |
| IX644/13     | 22    | 30   |                        | 182 | 148  | 144  | 138 | 127   | 114   | 96  | 83    |
| IX644/14     | 22    | 30   |                        | 196 | 160  | 155  | 283 | 137   | 123   | 104 | 90    |

### 3. MEDIDAS MEASURES MESURES



| Tipo / Type | A mm<br>Tri V 400 | B mm | C mm Tri | M Kg Tri | P Kg |
|-------------|-------------------|------|----------|----------|------|
| IX644/04    | 1395              | 697  | 698      | 27       | 20   |
| IX644/05    | 1616              | 798  | 818      | 32       | 23   |
| IX644/06    | 1650              | 899  | 751      | 60       | 27   |
| IX644/07    | 1811              | 1000 | 811      | 65       | 30   |
| IX644/08    | 1942              | 1101 | 841      | 70       | 33   |
| IX644/09    | 2043              | 1202 | 841      | 70       | 37   |
| IX644/10    | 2234              | 1303 | 931      | 75       | 40   |
| IX644/11    | 2395              | 1404 | 991      | 83       | 44   |
| IX644/12    | 2496              | 1505 | 991      | 83       | 47   |
| IX644/13    | 2677              | 1606 | 1071     | 92       | 51   |
| IX644/14    | 2778              | 1707 | 1071     | 92       | 54   |

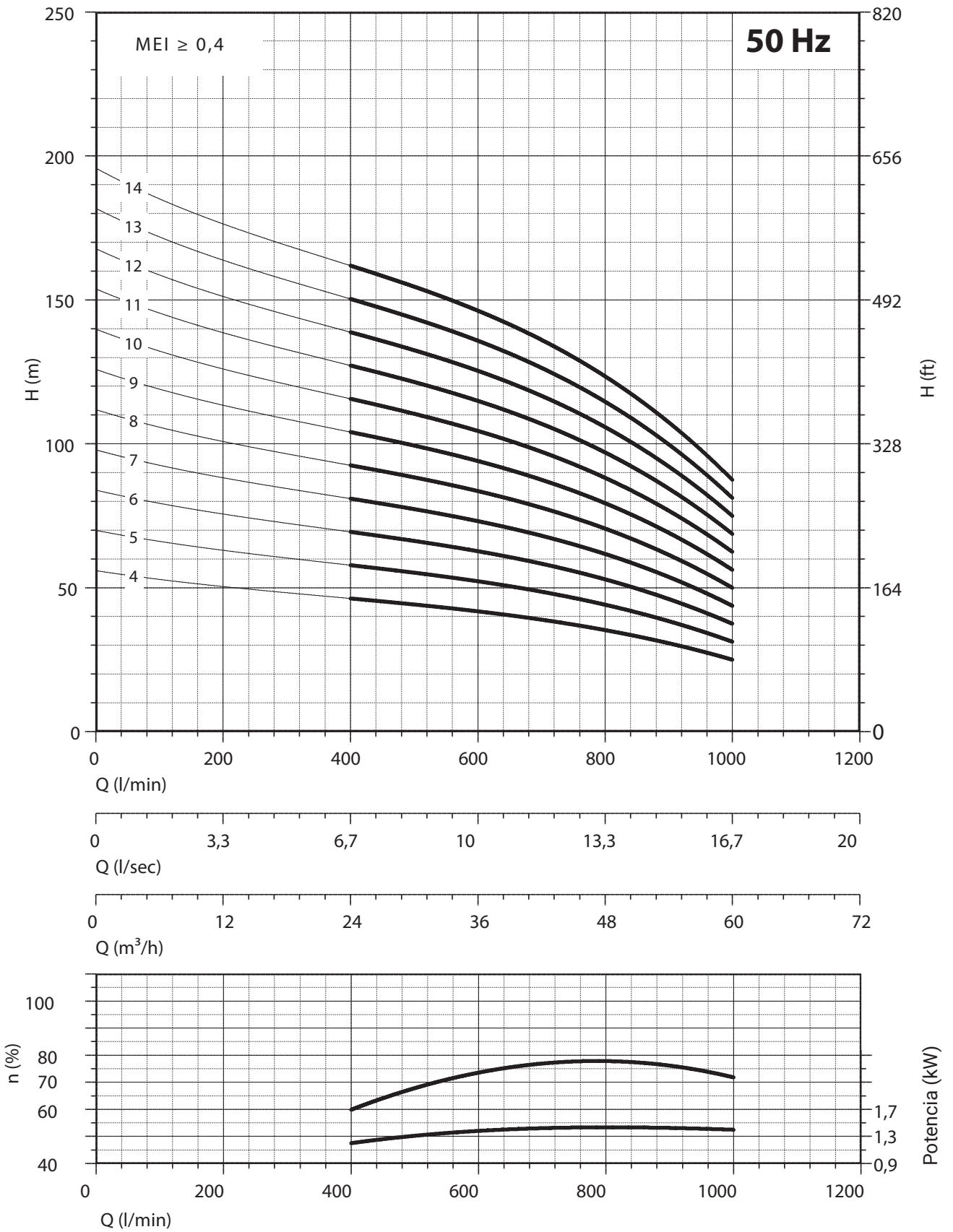


n% = Rendimiento de la bomba  
n% = Pump efficiency

Max  
78,5%

kW/st = Potencia absorbida por etapa  
kW/st = Stage absorption

Max  
1,44



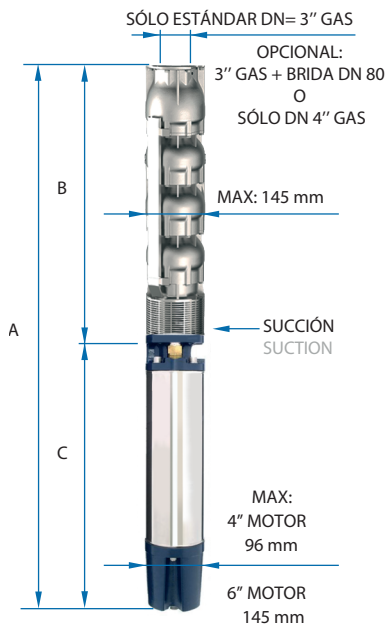
| NPSH (m) | 25%  | 50% | 75% | 100% |
|----------|------|-----|-----|------|
| IX644    | 3,45 | 3,5 | 3,8 | 5    |

## SERIE IX644 | 15-25

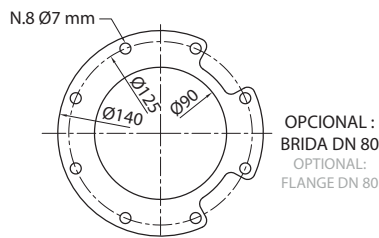
### 2. CURVAS CURVES COURBES

| Tipo<br>Type | Power |    | l/min<br>l/sec<br>m³/h | 0   | 400  | 500  | 600 | 700   | 800   | 900 | 1000  |
|--------------|-------|----|------------------------|-----|------|------|-----|-------|-------|-----|-------|
|              | kW    | HP |                        | 0   | 6,67 | 8,33 | 10  | 11,67 | 13,33 | 15  | 16,67 |
| IX644/15     | 22    | 30 |                        | 210 | 171  | 167  | 159 | 147   | 132   | 111 | 96    |
| IX644/16     | 26    | 35 |                        | 224 | 182  | 178  | 170 | 157   | 141   | 118 | 102   |
| IX644/17     | 26    | 35 |                        | 238 | 194  | 189  | 180 | 167   | 150   | 126 | 109   |
| IX644/18     | 26    | 35 |                        | 252 | 205  | 200  | 191 | 176   | 158   | 133 | 115   |
| IX644/19     | 30    | 40 |                        | 266 | 217  | 211  | 201 | 186   | 167   | 141 | 122   |
| IX644/20     | 30    | 40 | H(m)                   | 280 | 228  | 222  | 212 | 196   | 176   | 148 | 128   |
| IX644/21     | 37    | 50 |                        | 294 | 239  | 233  | 223 | 206   | 185   | 155 | 134   |
| IX644/22     | 37    | 50 |                        | 308 | 251  | 244  | 233 | 216   | 194   | 163 | 141   |
| IX644/23     | 37    | 50 |                        | 322 | 262  | 255  | 244 | 225   | 202   | 170 | 147   |
| IX644/24     | 37    | 50 |                        | 336 | 274  | 266  | 254 | 235   | 211   | 178 | 154   |
| IX644/25     | 37    | 50 |                        | 350 | 285  | 278  | 265 | 245   | 220   | 185 | 160   |

### 3. MEDIDAS MEASURES MESURES



| Tipo / Type | A mm<br>Tri V 400 | B mm | C mm Tri | M Kg Tri | P Kg |
|-------------|-------------------|------|----------|----------|------|
| IX644/15    | 2879              | 1808 | 1071     | 92       | 58   |
| IX644/16    | 3090              | 1909 | 1181     | 100      | 61   |
| IX644/17    | 3191              | 2010 | 1181     | 100      | 64   |
| IX644/18    | 3362              | 2111 | 1251     | 108      | 68   |
| IX644/19    | 3463              | 2212 | 1251     | 108      | 71   |
| IX644/20    | 3654              | 2313 | 1341     | 118      | 75   |
| IX644/21    | 3755              | 2414 | 1341     | 118      | 78   |
| IX644/22    | 3856              | 2515 | 1341     | 118      | 82   |
| IX644/23    | 3957              | 2616 | 1341     | 118      | 85   |
| IX644/24    | 4058              | 2717 | 1341     | 118      | 89   |
| IX644/25    | 4159              | 2818 | 1341     | 118      | 92   |



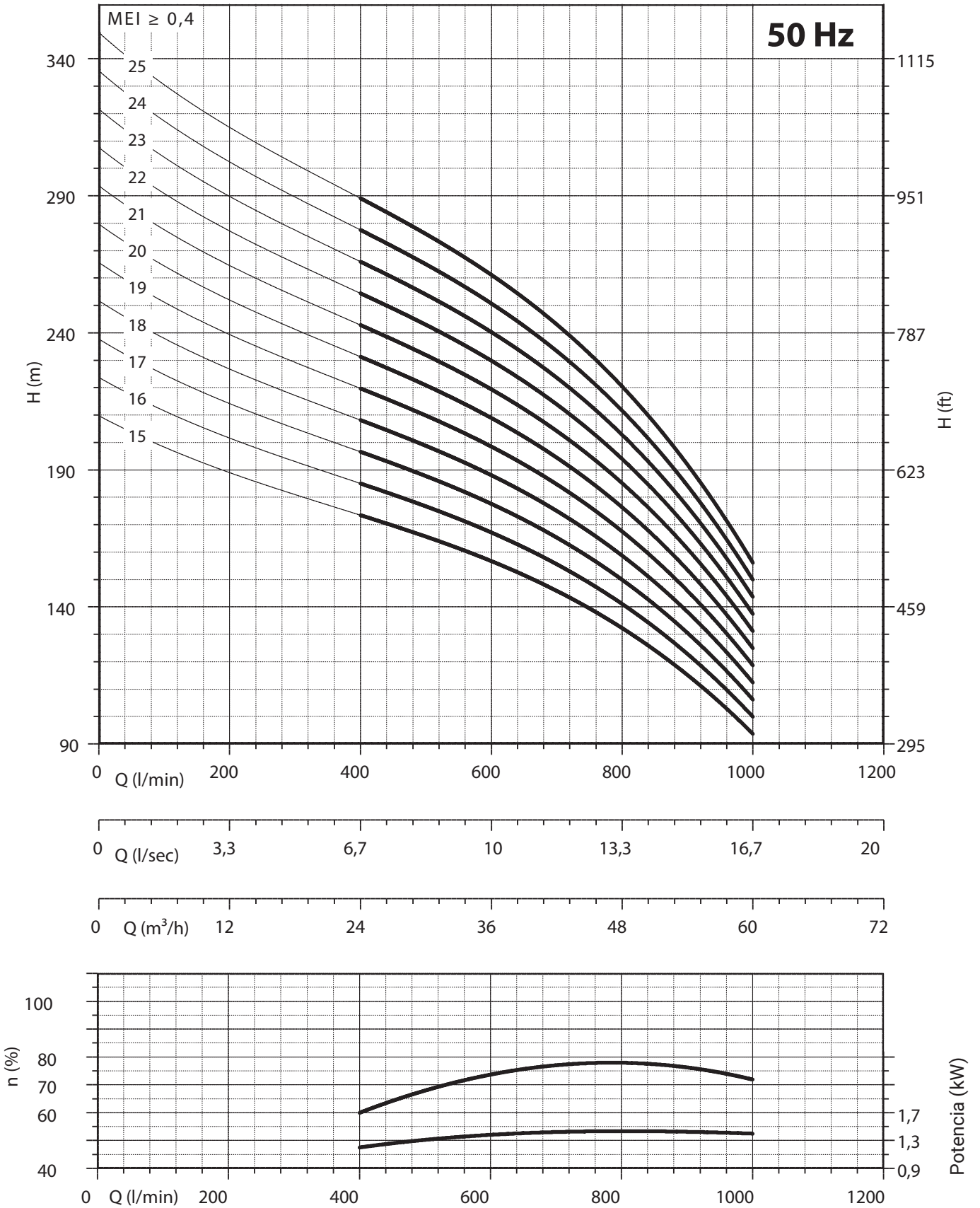
PARA TUBO COMERCIAL  
FOR COMMERCIAL TUBE  
DIÁMETRO EXTERIOR: 88,9 mm  
EXTERNAL DIAMETER: 88,9 mm

n% = Rendimiento de la bomba  
n% = Pump efficiency

Max  
78,5%

kW/st = Potencia absorbida por etapa  
kW/st = Stage absorption

Max  
1,44



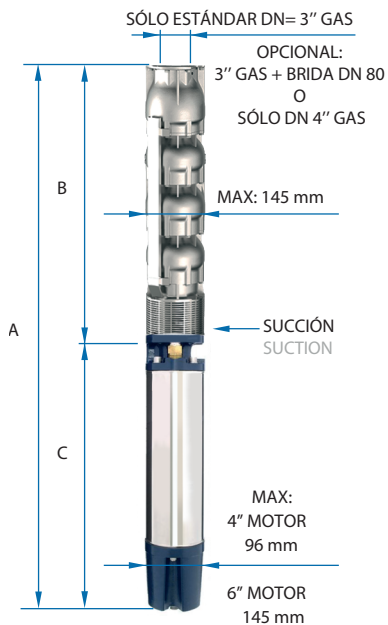


## SERIE IX654 | 03-12

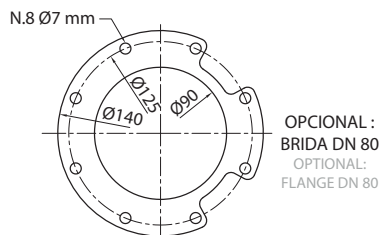
### 2. CURVAS CURVES COURBES

| Tipo<br>Type | Power |      | l/min<br>l/sec<br>m³/h | 0    | 600 | 700 | 800   | 900   | 1000 | 1100  | 1200  |
|--------------|-------|------|------------------------|------|-----|-----|-------|-------|------|-------|-------|
|              | kW    | HP   |                        | H(m) | 0   | 10  | 11,67 | 13,33 | 15   | 16,67 | 18,33 |
| IX654/03     | 5,50  | 7,5  |                        | 0    | 36  | 42  | 48    | 54    | 60   | 66    | 72    |
| IX654/04     | 7,50  | 10   |                        | 41   | 31  | 29  | 27    | 26    | 23   | 21    | 18    |
| IX654/05     | 9,20  | 12,5 |                        | 55   | 41  | 38  | 36    | 34    | 31   | 28    | 24    |
| IX654/06     | 11    | 15   |                        | 69   | 52  | 48  | 46    | 43    | 39   | 35    | 30    |
| IX654/07     | 13    | 17,5 |                        | 82   | 62  | 58  | 55    | 51    | 47   | 41    | 36    |
| IX654/08     | 13    | 17,5 |                        | 96   | 72  | 67  | 64    | 60    | 55   | 48    | 42    |
| IX654/09     | 15    | 20   |                        | 110  | 82  | 77  | 73    | 68    | 62   | 55    | 48    |
| IX654/10     | 18,50 | 25   |                        | 123  | 93  | 86  | 82    | 77    | 70   | 62    | 54    |
| IX654/11     | 18,50 | 25   |                        | 137  | 103 | 96  | 91    | 85    | 78   | 69    | 60    |
| IX654/12     | 22    | 30   |                        | 151  | 113 | 106 | 100   | 94    | 86   | 76    | 66    |
|              |       |      |                        | 164  | 124 | 115 | 109   | 102   | 94   | 83    | 72    |

### 3. MEDIDAS MEASURES MESURES



| Tipo / Type | A mm<br>Tri V 400 | B mm | C mm Tri | M Kg Tri | P Kg |
|-------------|-------------------|------|----------|----------|------|
| IX654/03    | 1312              | 614  | 698      | 27       | 19   |
| IX654/04    | 1539              | 721  | 818      | 32       | 22   |
| IX654/05    | 1579              | 828  | 751      | 60       | 26   |
| IX654/06    | 1746              | 935  | 811      | 65       | 29   |
| IX654/07    | 1883              | 1042 | 841      | 70       | 32   |
| IX654/08    | 1990              | 1149 | 841      | 70       | 35   |
| IX654/09    | 2187              | 1256 | 931      | 75       | 38   |
| IX654/10    | 2354              | 1363 | 991      | 83       | 41   |
| IX654/11    | 2461              | 1470 | 991      | 83       | 45   |
| IX654/12    | 2648              | 1577 | 1071     | 92       | 49   |



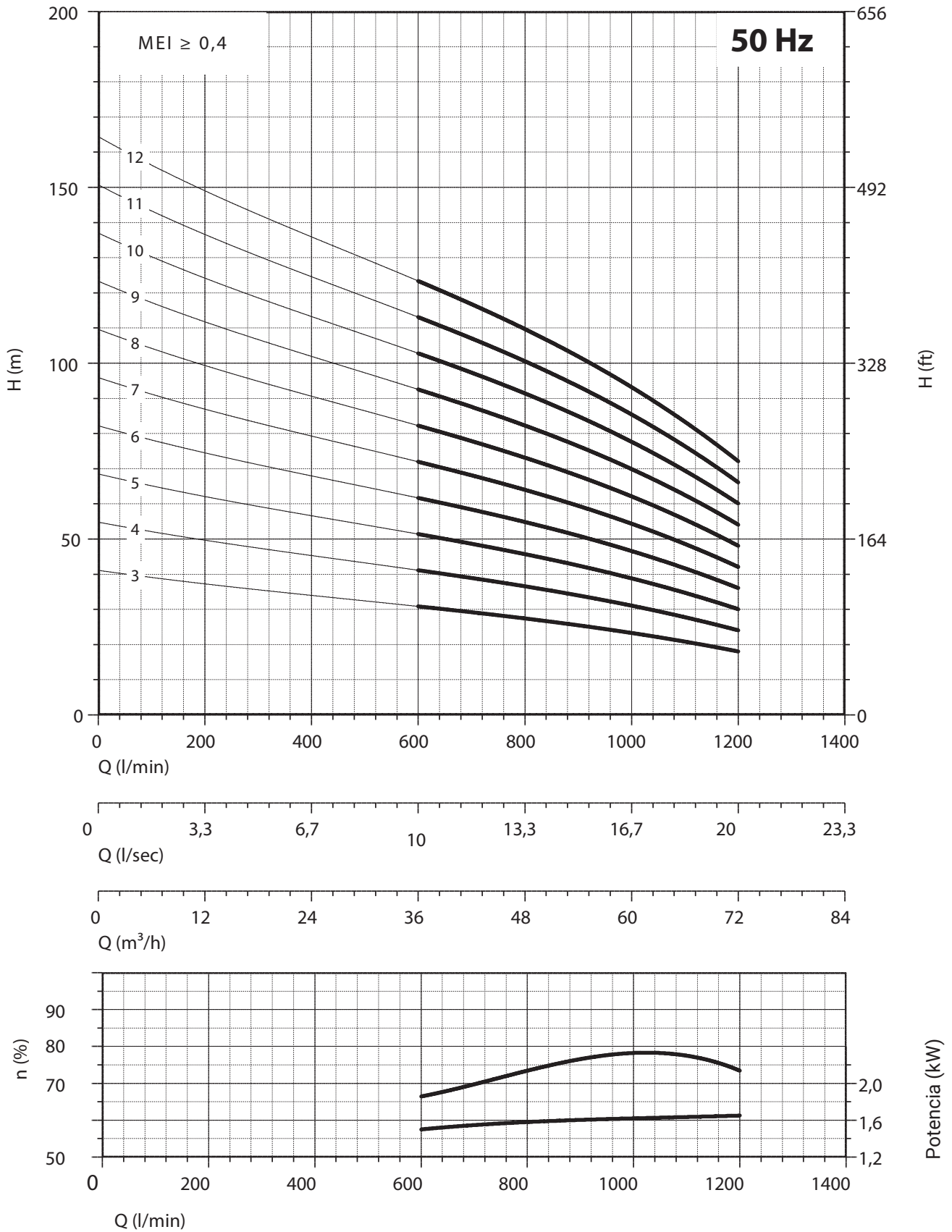
PARA TUBO COMERCIAL  
FOR COMMERCIAL TUBE  
DIÁMETRO EXTERIOR: 88,9 mm  
EXTERNAL DIAMETER: 88,9 mm

n% = Rendimiento de la bomba  
n% = Pump efficiency

Max  
77%

kW/st = Potencia absorbida por etapa  
kW/st = Stage absorption

Max  
1,65



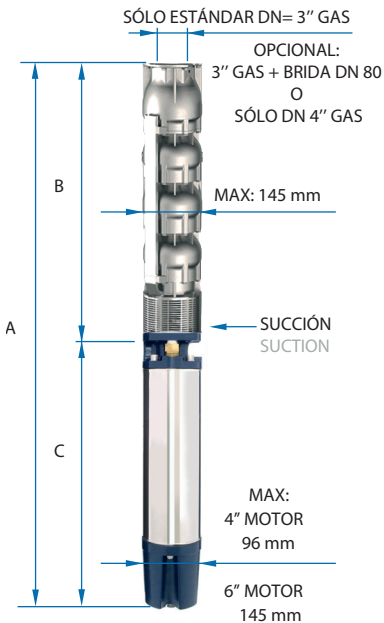
| NPSH (m) | 25% | 50% | 75% | 100% |
|----------|-----|-----|-----|------|
| IX654    | 3,8 | 3,8 | 5,1 | 7,1  |

## SERIE IX654 | 13-22

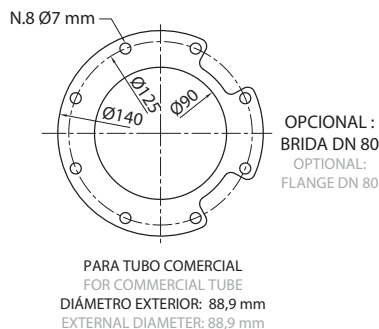
### 2. CURVAS CURVES COURBES

| Tipo<br>Type | Power |    | l/min<br>l/sec<br>m³/h | 0   | 600 | 700   | 800   | 900 | 1000  | 1100  | 1200 |
|--------------|-------|----|------------------------|-----|-----|-------|-------|-----|-------|-------|------|
|              | kW    | HP |                        | 0   | 10  | 11,67 | 13,33 | 15  | 16,67 | 18,33 | 20   |
|              |       |    |                        | 0   | 36  | 42    | 48    | 54  | 60    | 66    | 72   |
| IX654/13     | 22    | 30 | H(m)                   | 178 | 134 | 125   | 118   | 111 | 101   | 90    | 78   |
| IX654/14     | 26    | 35 |                        | 192 | 144 | 134   | 127   | 119 | 109   | 97    | 84   |
| IX654/15     | 26    | 35 |                        | 206 | 155 | 144   | 137   | 128 | 117   | 104   | 90   |
| IX654/16     | 26    | 35 |                        | 219 | 165 | 154   | 146   | 136 | 125   | 110   | 96   |
| IX654/17     | 30    | 40 |                        | 233 | 175 | 163   | 155   | 145 | 133   | 117   | 102  |
| IX654/18     | 30    | 40 |                        | 247 | 185 | 173   | 164   | 153 | 140   | 124   | 108  |
| IX654/19     | 37    | 50 |                        | 260 | 196 | 182   | 173   | 162 | 148   | 131   | 114  |
| IX654/20     | 37    | 50 |                        | 274 | 206 | 192   | 182   | 170 | 156   | 138   | 120  |
| IX654/21     | 37    | 50 |                        | 288 | 216 | 202   | 191   | 179 | 164   | 145   | 126  |
| IX654/22     | 37    | 50 |                        | 301 | 227 | 211   | 200   | 187 | 172   | 152   | 132  |

### 3. MEDIDAS MEASURES MESURES



| Tipo / Type | A mm<br>Tri V 400 | B mm | C mm Tri | M Kg Tri | P Kg |
|-------------|-------------------|------|----------|----------|------|
| IX654/13    | 2755              | 1684 | 1071     | 92       | 53   |
| IX654/14    | 2972              | 1791 | 1181     | 100      | 56   |
| IX654/15    | 3079              | 1898 | 1181     | 100      | 59   |
| IX654/16    | 3186              | 2005 | 1181     | 100      | 61   |
| IX654/17    | 3363              | 2112 | 1251     | 108      | 64   |
| IX654/18    | 3470              | 2219 | 1251     | 108      | 67   |
| IX654/19    | 3667              | 2326 | 1341     | 118      | 70   |
| IX654/20    | 3774              | 2433 | 1341     | 118      | 74   |
| IX654/21    | 3881              | 2540 | 1341     | 118      | 77   |
| IX654/22    | 3988              | 2647 | 1341     | 118      | 82   |

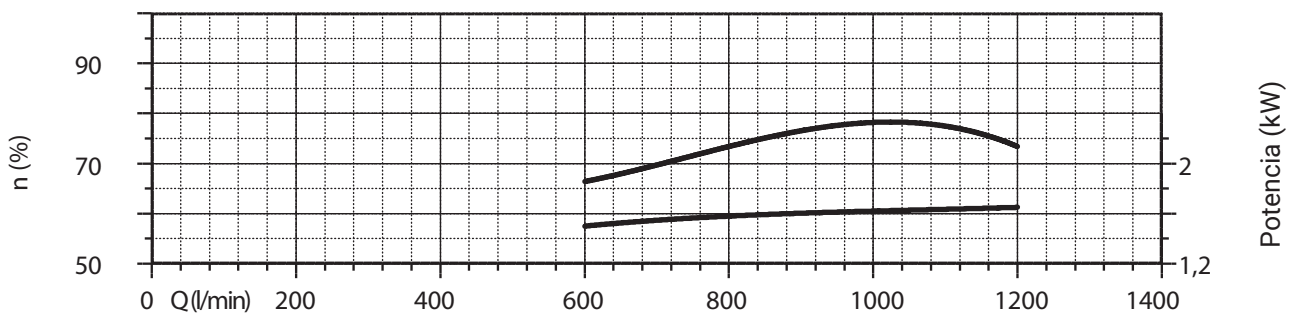
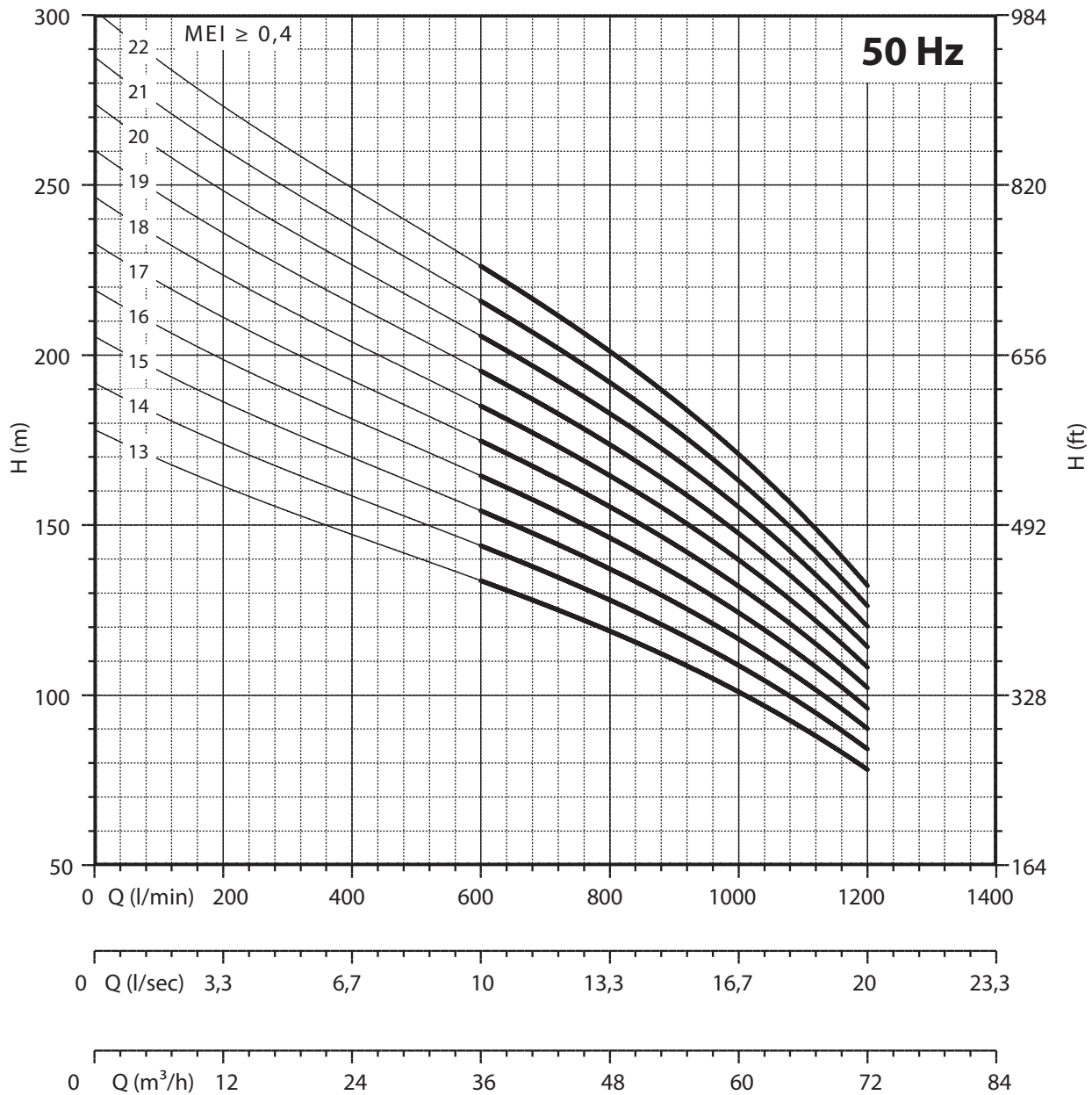


n% = Rendimiento de la bomba  
n% = Pump efficiency

Max  
77%

kW/st = Potencia absorbida por etapa  
kW/st = Stage absorption

Max  
1,65



| NPSH (m) | 25% | 50% | 75% | 100% |
|----------|-----|-----|-----|------|
| IX654    | 3,8 | 3,8 | 5,1 | 7,1  |

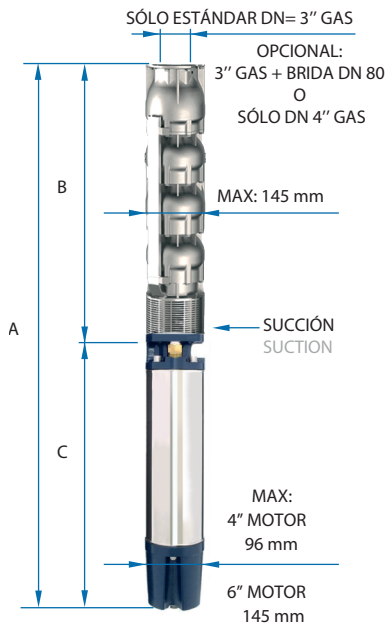


## SERIE IX664 | 01-18

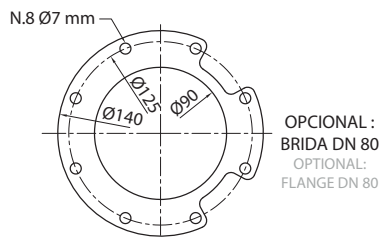
### 2. CURVAS CURVES COURBES

| Tipo<br>Type | Power |      | l/min<br>l/sec<br>m³/h | H(m) |       |       |      |       |       |      |       |       |      |  |  |
|--------------|-------|------|------------------------|------|-------|-------|------|-------|-------|------|-------|-------|------|--|--|
|              | kW    | HP   |                        | 0    | 700   | 800   | 900  | 1000  | 1100  | 1200 | 1300  | 1400  | 1500 |  |  |
|              |       |      | 0                      | 0    | 11,67 | 13,33 | 15   | 16,67 | 18,33 | 20   | 21,67 | 23,33 | 25   |  |  |
|              |       |      | 0                      | 42   | 48    | 54    | 60   | 66    | 72    | 78   | 84    | 90    |      |  |  |
| IX664/01     | 2,2   | 3    |                        | 13   | 10    | 9,9   | 9,6  | 9,3   | 9     | 8,6  | 8     | 7     | 6    |  |  |
| IX664/02     | 4     | 5,5  |                        | 26   | 21    | 20    | 19,5 | 19    | 18    | 17   | 15    | 13    | 11   |  |  |
| IX664/03     | 7,5   | 10   |                        | 39   | 31    | 30    | 29   | 28    | 27    | 26   | 23    | 20    | 17   |  |  |
| IX664/04     | 9,2   | 12,5 |                        | 52   | 41    | 40    | 38   | 37    | 36    | 34   | 31    | 27    | 23   |  |  |
| IX664/05     | 11    | 15   |                        | 66   | 52    | 50    | 48   | 47    | 45    | 43   | 38    | 33    | 28   |  |  |
| IX664/06     | 13    | 17,5 |                        | 79   | 62    | 59    | 57   | 56    | 55    | 51   | 46    | 40    | 34   |  |  |
| IX664/07     | 15    | 20   |                        | 92   | 73    | 69    | 67   | 66    | 64    | 60   | 53    | 46    | 39   |  |  |
| IX664/08     | 18,5  | 25   |                        | 105  | 83    | 79    | 76   | 75    | 73    | 68   | 61    | 53    | 45   |  |  |
| IX664/09     | 22    | 30   |                        | 118  | 93    | 89    | 86   | 84    | 82    | 77   | 69    | 60    | 51   |  |  |
| IX664/10     | 22    | 30   |                        | 131  | 104   | 99    | 95   | 94    | 91    | 85   | 76    | 66    | 56   |  |  |
| IX664/11     | 26    | 35   |                        | 144  | 114   | 109   | 105  | 103   | 100   | 94   | 84    | 73    | 62   |  |  |
| IX664/12     | 26    | 35   |                        | 157  | 124   | 119   | 114  | 112   | 109   | 102  | 92    | 80    | 68   |  |  |
| IX664/13     | 30    | 40   |                        | 170  | 135   | 129   | 124  | 122   | 118   | 111  | 99    | 86    | 73   |  |  |
| IX664/14     | 30    | 40   |                        | 183  | 145   | 139   | 134  | 131   | 127   | 120  | 107   | 93    | 79   |  |  |
| IX664/15     | 37    | 50   |                        | 197  | 155   | 149   | 143  | 140   | 136   | 128  | 114   | 99    | 84   |  |  |
| IX664/16     | 37    | 50   |                        | 210  | 166   | 158   | 153  | 150   | 145   | 137  | 122   | 106   | 90   |  |  |
| IX664/17     | 37    | 50   |                        | 223  | 176   | 168   | 162  | 159   | 155   | 145  | 130   | 113   | 96   |  |  |
| IX664/18     | 37    | 50   |                        | 236  | 186   | 178   | 172  | 168   | 164   | 154  | 137   | 119   | 101  |  |  |

### 3. MEDIDAS MEASURES MESURES



| Tipo / Type | A mm<br>Tri V 400 | B mm | C mm Tri | M Kg Tri | P Kg |
|-------------|-------------------|------|----------|----------|------|
| IX664/01    | 853               | 400  | 452      | 15       | 12   |
| IX664/02    | 1104              | 507  | 597      | 22       | 15   |
| IX664/03    | 1432              | 614  | 818      | 32       | 19   |
| IX664/04    | 1472              | 721  | 751      | 60       | 23   |
| IX664/05    | 1639              | 828  | 811      | 65       | 27   |
| IX664/06    | 1776              | 935  | 841      | 70       | 32   |
| IX664/07    | 1973              | 1042 | 931      | 75       | 36   |
| IX664/08    | 2140              | 1149 | 991      | 83       | 40   |
| IX664/09    | 2327              | 1256 | 1071     | 92       | 44   |
| IX664/10    | 2434              | 1363 | 1071     | 92       | 48   |
| IX664/11    | 2651              | 1470 | 1181     | 100      | 53   |
| IX664/12    | 2758              | 1577 | 1181     | 100      | 57   |
| IX664/13    | 2935              | 1684 | 1251     | 108      | 61   |
| IX664/14    | 3042              | 1791 | 1251     | 108      | 65   |
| IX664/15    | 3239              | 1898 | 1341     | 118      | 70   |
| IX664/16    | 3346              | 2005 | 1341     | 118      | 75   |
| IX664/17    | 3453              | 2112 | 1341     | 118      | 80   |
| IX664/18    | 3560              | 2219 | 1341     | 118      | 85   |



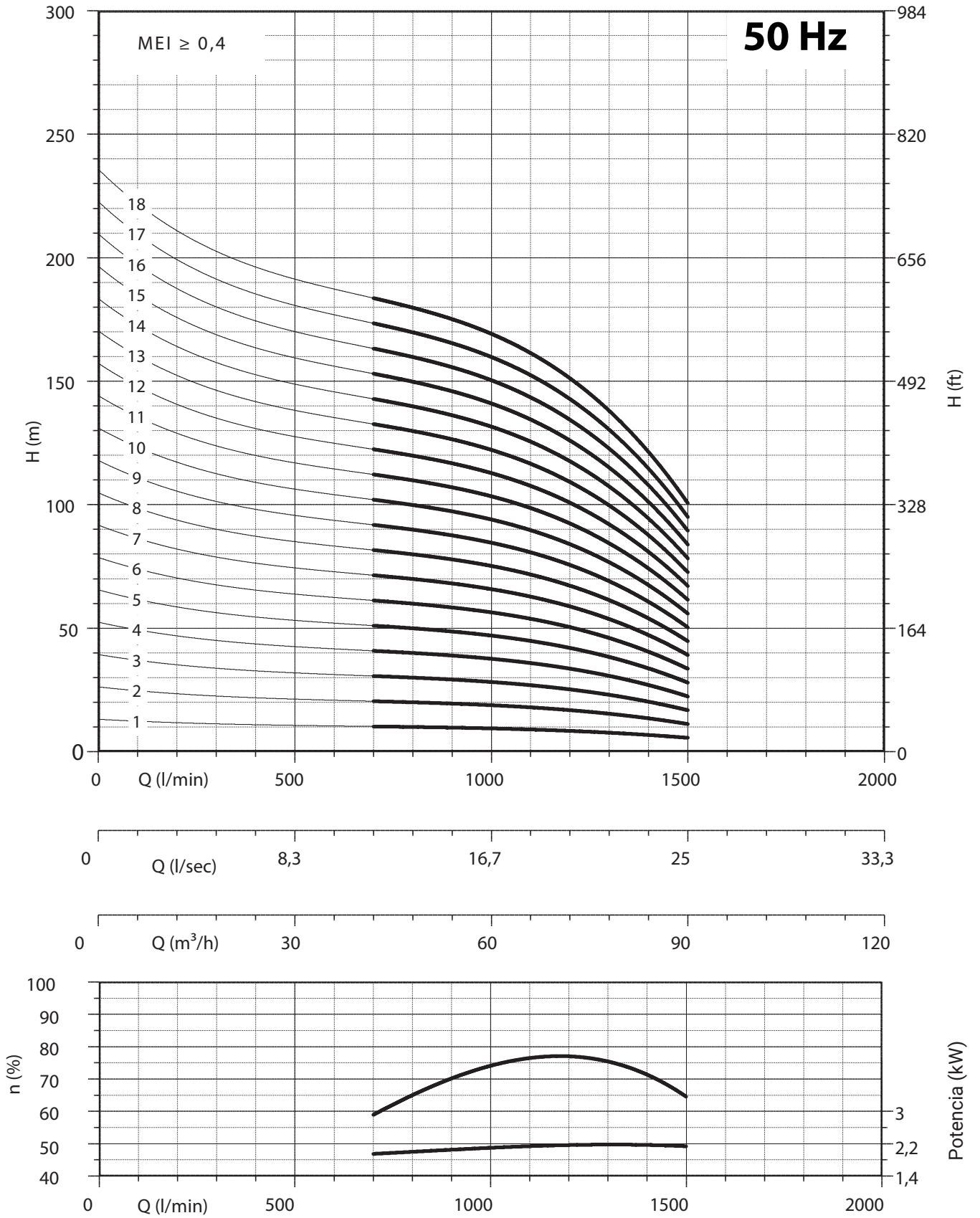
PARA TUBO COMERCIAL  
FOR COMMERCIAL TUBE  
DIÁMETRO EXTERIOR: 88,9 mm  
EXTERNAL DIAMETER: 88,9 mm

n% = Rendimiento de la bomba  
n% = Pump efficiency

Max  
76%

kW/st = Potencia absorbida por etapa  
kW/st = Stage absorption

Max  
2,18



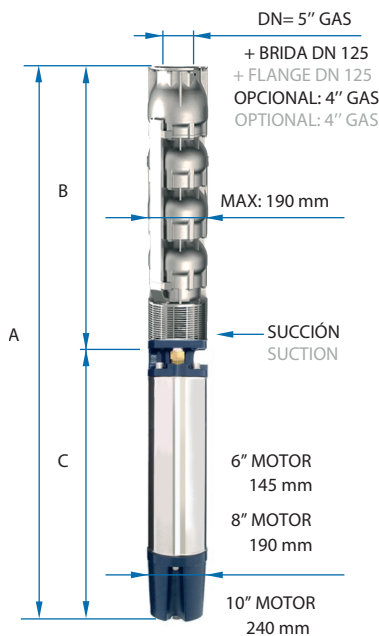
| NPSH (m) | 25% | 50% | 75% | 100% |
|----------|-----|-----|-----|------|
| IX664    | 3,8 | 3,8 | 5,1 | 7,1  |

## SERIE IX878 | 01-19

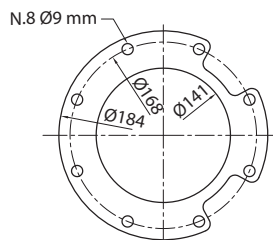
### 2. CURVAS CURVES COURBES

| Tipo<br>Type | Power |     | l/min<br>l/sec<br>m³/h | H(m) |     |     |      |      |      |
|--------------|-------|-----|------------------------|------|-----|-----|------|------|------|
|              | kW    | HP  |                        | 0    | 600 | 800 | 1000 | 1200 | 1400 |
| IX878 /01    | 7,50  | 10  | 27                     | 24   | 23  | 22  | 20   | 18   | 15   |
| IX878 /02    | 11    | 15  | 54                     | 49   | 47  | 44  | 40   | 35   | 30   |
| IX878 /03    | 18,50 | 25  | 81                     | 73   | 70  | 65  | 60   | 53   | 44   |
| IX878 /04    | 26    | 35  | 108                    | 97   | 93  | 87  | 80   | 70   | 59   |
| IX878 /05    | 30    | 40  | 135                    | 121  | 116 | 109 | 100  | 88   | 74   |
| IX878 /06    | 37    | 50  | 162                    | 146  | 140 | 131 | 120  | 105  | 89   |
| IX878 /07    | 44    | 60  | 189                    | 170  | 163 | 152 | 140  | 123  | 103  |
| IX878 /08    | 55    | 75  | 216                    | 194  | 186 | 174 | 160  | 140  | 118  |
| IX878 /09    | 55    | 75  | 243                    | 218  | 209 | 196 | 180  | 158  | 133  |
| IX878 /10    | 66    | 90  | 270                    | 243  | 233 | 218 | 200  | 175  | 148  |
| IX878 /11    | 66    | 90  | 297                    | 267  | 256 | 239 | 220  | 193  | 162  |
| IX878 /12    | 75    | 100 | 324                    | 291  | 279 | 261 | 240  | 210  | 177  |
| IX878 /13    | 75    | 100 | 351                    | 315  | 302 | 283 | 260  | 228  | 192  |
| IX878 /14    | 92    | 125 | 378                    | 340  | 326 | 305 | 280  | 245  | 207  |
| IX878 /15    | 92    | 125 | 405                    | 364  | 349 | 326 | 300  | 263  | 221  |
| IX878 /16    | 92    | 125 | 432                    | 388  | 372 | 348 | 320  | 280  | 236  |
| IX878 /17    | 110   | 150 | 459                    | 412  | 395 | 370 | 340  | 298  | 251  |
| IX878 /18    | 110   | 150 | 486                    | 437  | 419 | 392 | 360  | 315  | 266  |
| IX878 /19    | 110   | 150 | 513                    | 461  | 442 | 413 | 380  | 333  | 280  |

### 3. MEDIDAS MEASURES MESURES



| Tipo / Type | A mm<br>Tri V 400 | B mm | C mm Tri | M Kg Tri | P Kg |
|-------------|-------------------|------|----------|----------|------|
| IX878 /01   | 1226              | 525  | 701      | 55       | 19   |
| IX878 /02   | 1461              | 650  | 811      | 65       | 26   |
| IX878 /03   | 1766              | 775  | 991      | 83       | 32   |
| IX878 /04   | 2081              | 900  | 1181     | 100      | 39   |
| IX878 /05   | 2276              | 1025 | 1251     | 108      | 45   |
| IX878 /06   | 2491              | 1150 | 1341     | 118      | 52   |
| IX878 /07   | 2398              | 1275 | 1123     | 178      | 58   |
| IX878 /08   | 2633              | 1400 | 1233     | 200      | 65   |
| IX878 /09   | 2758              | 1525 | 1233     | 200      | 71   |
| IX878 /10   | 2953              | 1650 | 1303     | 214      | 78   |
| IX878 /11   | 3078              | 1775 | 1303     | 214      | 84   |
| IX878 /12   | 3283              | 1900 | 1383     | 230      | 91   |
| IX878 /13   | 3408              | 2025 | 1383     | 230      | 97   |
| IX878 /14   | 3733              | 2150 | 1583     | 270      | 104  |
| IX878 /15   | 3858              | 2275 | 1583     | 270      | 110  |
| IX878 /16   | 3983              | 2400 | 1583     | 270      | 117  |
| IX878 /17   | 4258              | 2525 | 1733     | 300      | 123  |
| IX878 /18   | 4383              | 2650 | 1733     | 300      | 130  |
| IX878 /19   | 4508              | 2775 | 1733     | 300      | 136  |



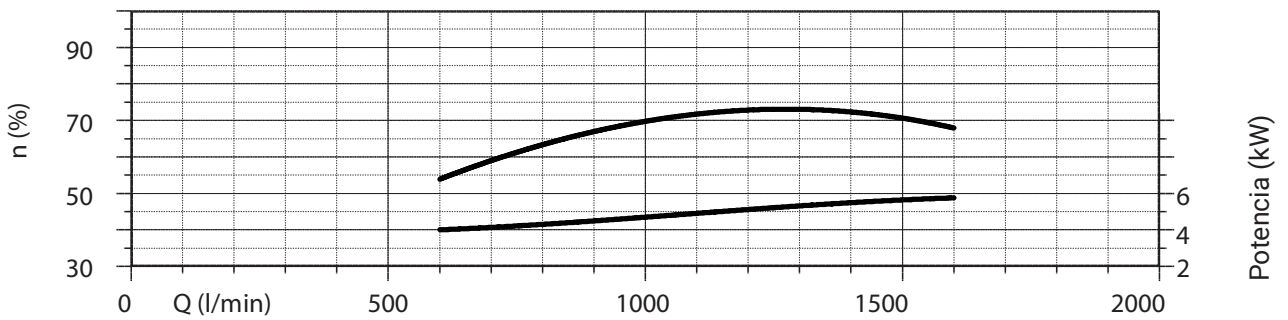
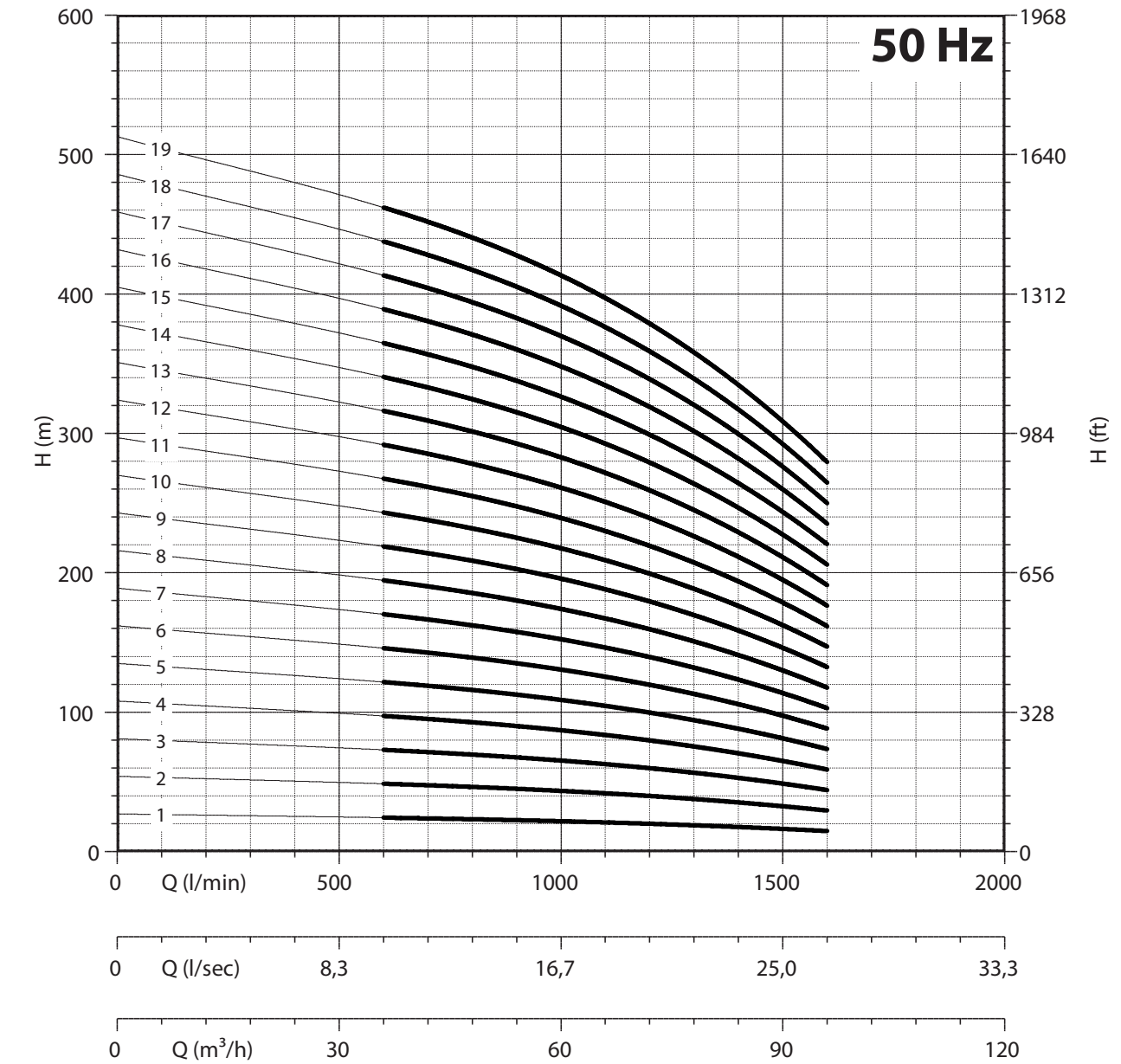
PARA TUBO COMERCIAL  
FOR COMMERCIAL TUBE  
DIÁMETRO EXTERIOR: 139,7 mm  
EXTERNAL DIAMETER: 139,7 mm

n% = Rendimiento de la bomba  
n% = Pump efficiency

Max  
74%

kW/st = Potencia absorbida por etapa  
kW/st = Stage absorption

Max  
5,75



| NPSH (m) | 25% | 50% | 75% | 100% |
|----------|-----|-----|-----|------|
| IX878    | 3   | 3   | 3,5 | 4,5  |

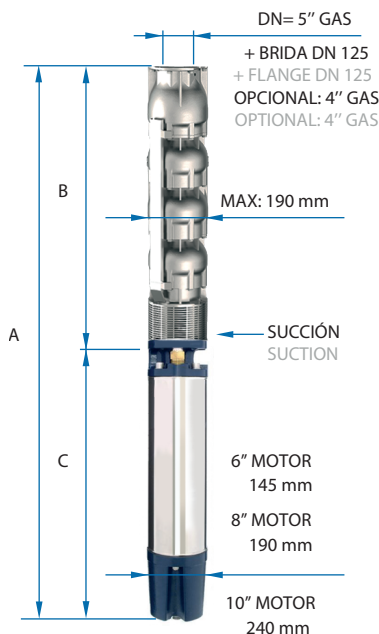


## SERIE IX890 | 01-17

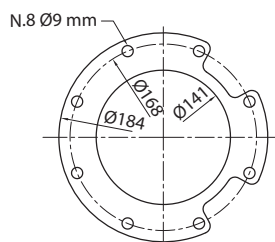
### 2. CURVAS CURVES COURBES

| Tipo<br>Type | Power |      | l/min<br>l/sec<br>m³/h | 0   | 800   | 1000  | 1200 | 1400  | 1600  | 1800 | 2000  |
|--------------|-------|------|------------------------|-----|-------|-------|------|-------|-------|------|-------|
|              | kW    | HP   |                        | 0   | 13,33 | 16,67 | 20   | 23,33 | 26,67 | 30   | 33,33 |
| IX890/01     | 7,50  | 10   | H(m)                   | 27  | 24    | 23    | 22   | 20    | 18    | 16   | 13    |
| IX890/02     | 13    | 17,5 |                        | 54  | 49    | 47    | 44   | 40    | 36    | 31   | 25    |
| IX890/03     | 22    | 30   |                        | 81  | 73    | 70    | 65   | 60    | 54    | 47   | 38    |
| IX890/04     | 26    | 35   |                        | 108 | 97    | 93    | 87   | 80    | 71    | 62   | 50    |
| IX890/05     | 37    | 50   |                        | 135 | 121   | 116   | 109  | 101   | 89    | 78   | 63    |
| IX890/06     | 44    | 60   |                        | 162 | 146   | 140   | 131  | 121   | 107   | 93   | 76    |
| IX890/07     | 44    | 60   |                        | 189 | 170   | 163   | 152  | 141   | 125   | 109  | 88    |
| IX890/08     | 55    | 75   |                        | 216 | 194   | 186   | 174  | 161   | 143   | 124  | 101   |
| IX890/09     | 66    | 90   |                        | 243 | 218   | 209   | 196  | 181   | 161   | 140  | 114   |
| IX890/10     | 66    | 90   |                        | 270 | 243   | 233   | 218  | 201   | 179   | 155  | 126   |
| IX890/11     | 75    | 100  |                        | 297 | 267   | 256   | 239  | 221   | 197   | 171  | 139   |
| IX890/12     | 92    | 125  |                        | 324 | 291   | 279   | 261  | 241   | 214   | 186  | 151   |
| IX890/13     | 92    | 125  |                        | 351 | 315   | 302   | 283  | 262   | 232   | 202  | 164   |
| IX890/14     | 92    | 125  |                        | 378 | 340   | 326   | 305  | 282   | 250   | 217  | 177   |
| IX890/15     | 110   | 150  |                        | 405 | 364   | 349   | 326  | 302   | 268   | 233  | 189   |
| IX890/16     | 110   | 150  |                        | 432 | 388   | 372   | 348  | 322   | 286   | 248  | 202   |
| IX890/17     | 110   | 150  |                        | 459 | 412   | 395   | 370  | 342   | 304   | 264  | 215   |

### 3. MEDIDAS MEASURES MESURES



| Tipo / Type | A mm<br>Tri V 400 | B mm | C mm Tri | M Kg Tri | P Kg |
|-------------|-------------------|------|----------|----------|------|
| IX890/01    | 1226              | 525  | 701      | 55       | 19   |
| IX890/02    | 1491              | 650  | 841      | 70       | 26   |
| IX890/03    | 1846              | 775  | 1071     | 92       | 32   |
| IX890/04    | 2081              | 900  | 1181     | 100      | 39   |
| IX890/05    | 2366              | 1025 | 1341     | 118      | 45   |
| IX890/06    | 2273              | 1150 | 1123     | 178      | 52   |
| IX890/07    | 2398              | 1275 | 1123     | 178      | 58   |
| IX890/08    | 2633              | 1400 | 1233     | 200      | 65   |
| IX890/09    | 2828              | 1525 | 1303     | 214      | 71   |
| IX890/10    | 2953              | 1650 | 1303     | 214      | 78   |
| IX890/11    | 3158              | 1775 | 1383     | 230      | 84   |
| IX890/12    | 3483              | 1900 | 1583     | 270      | 91   |
| IX890/13    | 3608              | 2025 | 1583     | 270      | 97   |
| IX890/14    | 3733              | 2150 | 1583     | 270      | 104  |
| IX890/15    | 4008              | 2275 | 1733     | 300      | 110  |
| IX890/16    | 4133              | 2400 | 1733     | 300      | 117  |
| IX890/17    | 4258              | 2525 | 1733     | 300      | 123  |



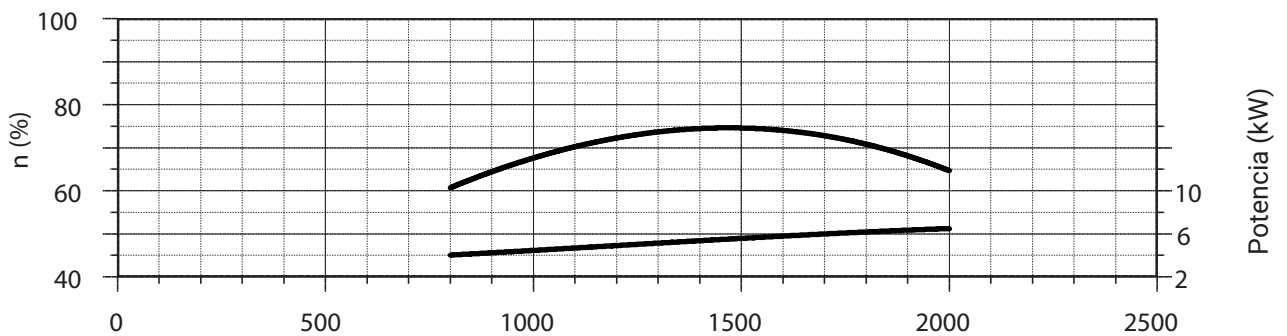
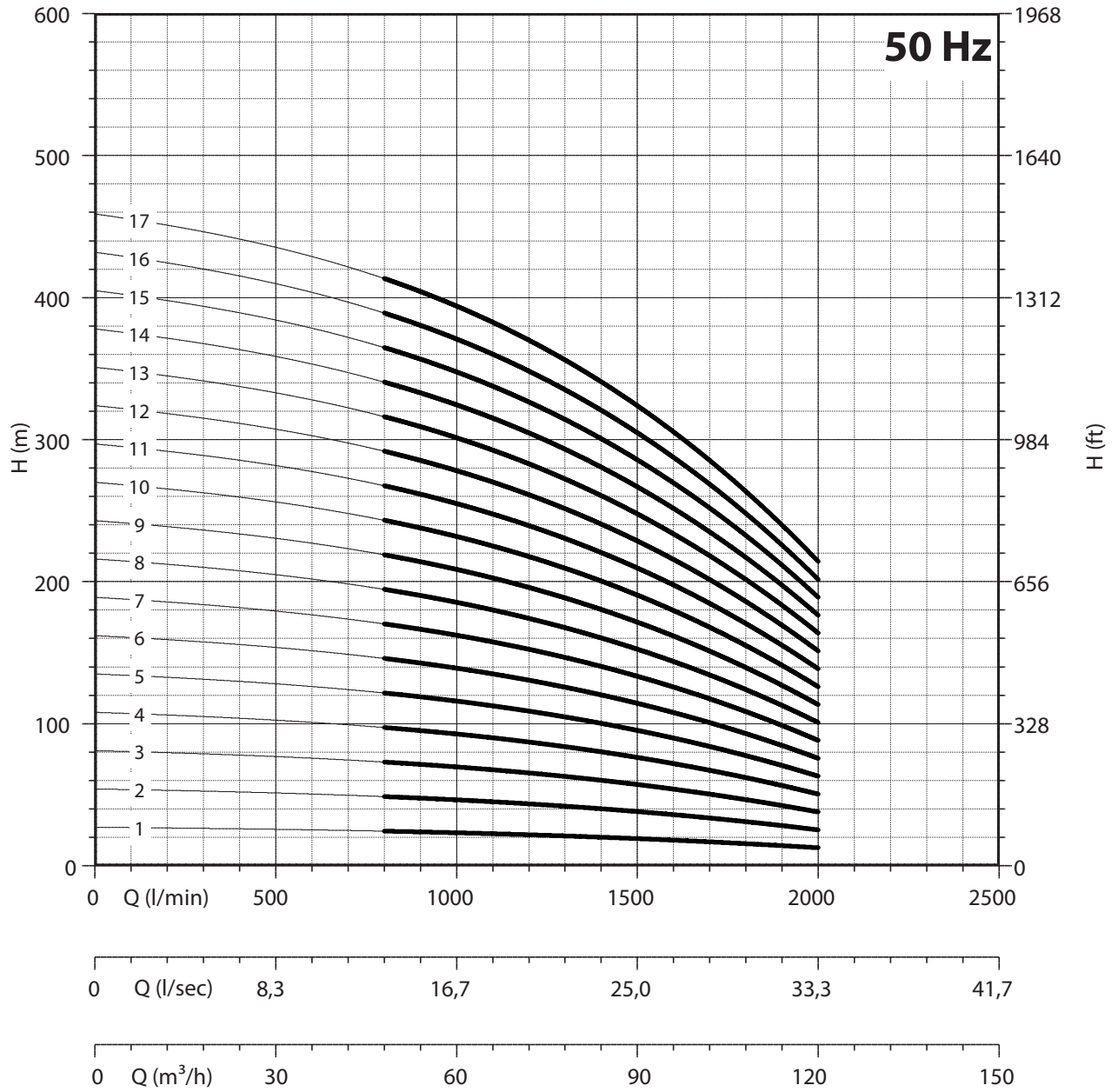
PARA TUBO COMERCIAL  
FOR COMMERCIAL TUBE  
DIÁMETRO EXTERIOR: 139,7 mm  
EXTERNAL DIAMETER: 139,7 mm

n% = Rendimiento de la bomba  
n% = Pump efficiency

Max  
75%

kW/st = Potencia absorbida por etapa  
kW/st = Stage absorption

Max  
6,47



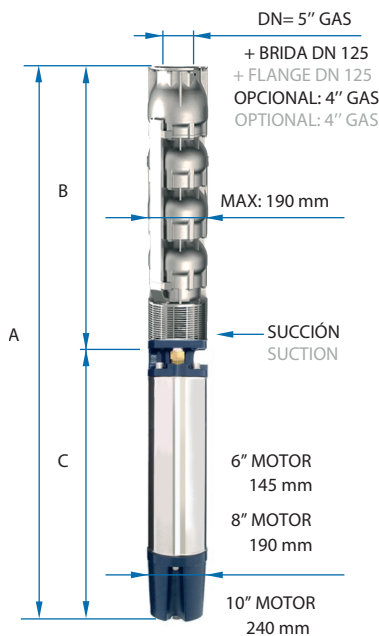
| NPSH (m) | 25% | 50% | 75% | 100% |
|----------|-----|-----|-----|------|
| IX890    | 2,5 | 2,9 | 3,9 | 7,8  |

## SERIE IX8102 | 01-15

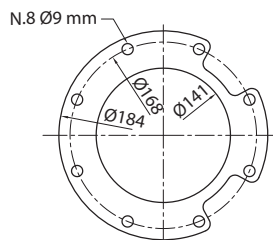
### 2. CURVAS CURVES COURBES

| Tipo<br>Type | Power |     | l/min<br>l/sec<br>m³/h | 0   | 1000  | 1200 | 1400  | 1600  | 1800 | 2000  | 2200  | 2400 |
|--------------|-------|-----|------------------------|-----|-------|------|-------|-------|------|-------|-------|------|
|              | kW    | HP  |                        | 0   | 16,67 | 20   | 23,33 | 26,67 | 30   | 33,33 | 36,67 | 40   |
| IX8102 /01   | 7,50  | 10  |                        | 0   | 60    | 72   | 84    | 96    | 108  | 120   | 132   | 144  |
| IX8102 /02   | 15    | 20  |                        | 28  | 23    | 22   | 21    | 20    | 19   | 17    | 15    | 13   |
| IX8102 /03   | 22    | 30  |                        | 55  | 45    | 44   | 42    | 41    | 38   | 35    | 31    | 26   |
| IX8102 /04   | 30    | 40  |                        | 83  | 68    | 65   | 63    | 61    | 57   | 52    | 46    | 38   |
| IX8102 /05   | 37    | 50  |                        | 110 | 90    | 87   | 84    | 82    | 76   | 69    | 62    | 51   |
| IX8102 /06   | 44    | 60  |                        | 138 | 113   | 109  | 106   | 102   | 96   | 87    | 77    | 64   |
| IX8102 /07   | 55    | 75  |                        | 165 | 135   | 131  | 127   | 122   | 115  | 104   | 92    | 77   |
| IX8102 /08   | 66    | 90  |                        | 193 | 158   | 153  | 148   | 143   | 134  | 121   | 108   | 90   |
| IX8102 /09   | 66    | 90  | H(m)                   | 220 | 180   | 174  | 169   | 163   | 153  | 138   | 123   | 102  |
| IX8102 /10   | 75    | 100 |                        | 248 | 203   | 196  | 190   | 184   | 172  | 156   | 139   | 115  |
| IX8102 /11   | 92    | 125 |                        | 275 | 225   | 218  | 211   | 204   | 191  | 173   | 154   | 128  |
| IX8102 /12   | 92    | 125 |                        | 303 | 248   | 240  | 232   | 224   | 210  | 190   | 169   | 141  |
| IX8102 /13   | 110   | 150 |                        | 330 | 270   | 262  | 253   | 245   | 229  | 208   | 185   | 154  |
| IX8102 /14   | 110   | 150 |                        | 358 | 293   | 283  | 274   | 265   | 248  | 225   | 200   | 166  |
| IX8102 /15   | 110   | 150 |                        | 385 | 315   | 305  | 295   | 286   | 267  | 242   | 216   | 179  |
| IX8102 /15   | 110   | 150 |                        | 413 | 338   | 327  | 317   | 306   | 287  | 260   | 231   | 192  |

### 3. MEDIDAS MEASURES MESURES



| Tipo / Type | A mm<br>Tri V 400 | B mm | C mm Tri | M Kg Tri | P Kg |
|-------------|-------------------|------|----------|----------|------|
| IX8102 /01  | 1226              | 525  | 701      | 55       | 19   |
| IX8102 /02  | 1581              | 650  | 931      | 75       | 26   |
| IX8102 /03  | 1846              | 775  | 1071     | 92       | 33   |
| IX8102 /04  | 2151              | 900  | 1251     | 108      | 40   |
| IX8102 /05  | 2366              | 1025 | 1341     | 118      | 47   |
| IX8102 /06  | 2273              | 1150 | 1123     | 178      | 53   |
| IX8102 /07  | 2508              | 1275 | 1233     | 200      | 60   |
| IX8102 /08  | 2703              | 1400 | 1303     | 214      | 67   |
| IX8102 /09  | 2828              | 1525 | 1303     | 214      | 74   |
| IX8102 /10  | 3033              | 1650 | 1383     | 230      | 81   |
| IX8102 /11  | 3358              | 1775 | 1583     | 270      | 87   |
| IX8102 /12  | 3483              | 1900 | 1583     | 270      | 94   |
| IX8102 /13  | 3758              | 2025 | 1733     | 300      | 101  |
| IX8102 /14  | 3883              | 2150 | 1733     | 300      | 108  |
| IX8102 /15  | 4008              | 2275 | 1733     | 300      | 115  |



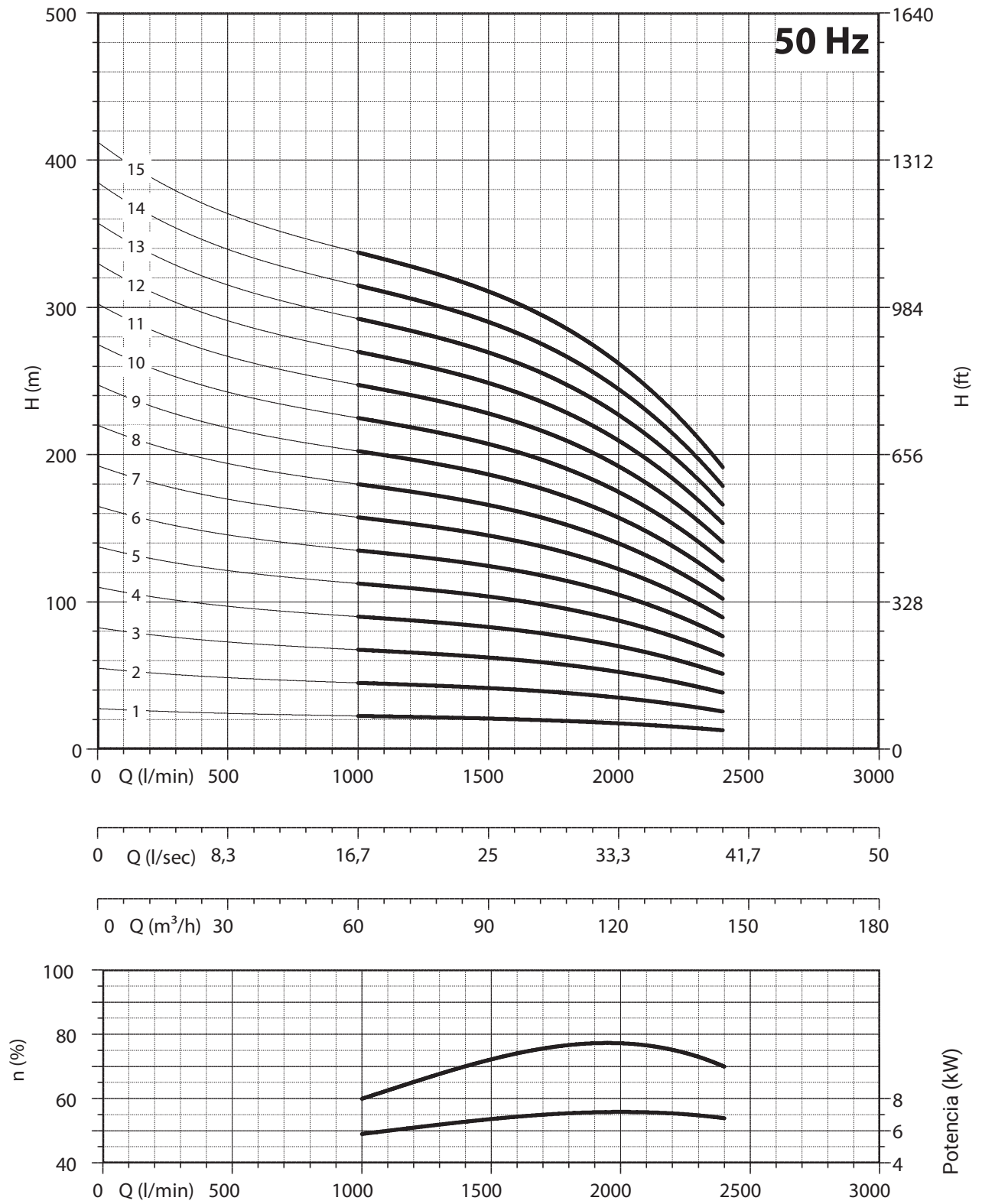
PARA TUBO COMERCIAL  
FOR COMMERCIAL TUBE  
DIÁMETRO EXTERIOR: 139,7 mm  
EXTERNAL DIAMETER: 139,7 mm

n% = Rendimiento de la bomba  
n% = Pump efficiency

Max  
77%

kW/st = Potencia absorbida por etapa  
kW/st = Stage absorption

Max  
7,2



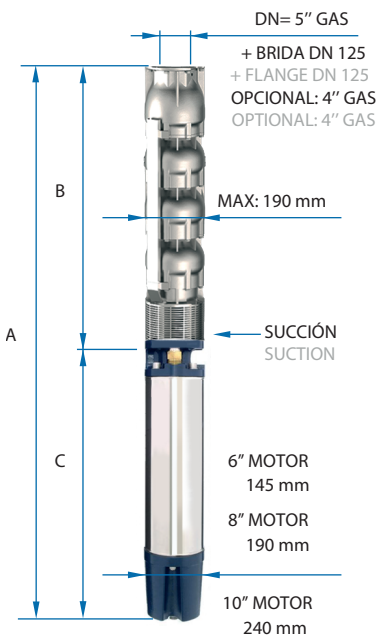
| NPSH (m) | 25% | 50% | 75% | 100% |
|----------|-----|-----|-----|------|
| IX8102   | 2,5 | 2,9 | 3,9 | 7,8  |

## SERIE IX8124 | 01-13

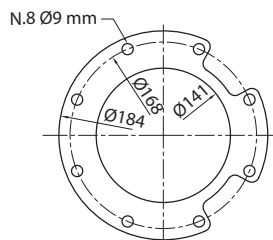
### 2. CURVAS CURVES COURBES

| Tipo<br>Type | Power |      | l/min<br>l/sec<br>m³/h | 0   | 1200 | 1400  | 1600  | 1800 | 2000  | 2200  | 2400 | 2600  | 2800  |    |
|--------------|-------|------|------------------------|-----|------|-------|-------|------|-------|-------|------|-------|-------|----|
|              | kW    | HP   |                        | 0   | 20   | 23,33 | 26,67 | 30   | 33,33 | 36,67 | 40   | 43,33 | 46,67 |    |
| IX8124/01    | 9,20  | 12,5 | H(m)                   | 0   | 27   | 23    | 22    | 21   | 20    | 19    | 18   | 16    | 15    | 12 |
| IX8124/02    | 18,50 | 25   |                        | 54  | 45   | 43    | 41    | 40   | 38    | 36    | 33   | 29    | 24    |    |
| IX8124/03    | 26    | 35   |                        | 81  | 68   | 65    | 62    | 59   | 57    | 54    | 49   | 44    | 36    |    |
| IX8124/04    | 37    | 50   |                        | 108 | 90   | 86    | 83    | 79   | 76    | 72    | 66   | 58    | 48    |    |
| IX8124/05    | 44    | 60   |                        | 135 | 113  | 108   | 104   | 99   | 95    | 90    | 82   | 73    | 60    |    |
| IX8124/06    | 55    | 75   |                        | 162 | 135  | 129   | 124   | 119  | 114   | 108   | 98   | 87    | 72    |    |
| IX8124/07    | 66    | 90   |                        | 189 | 158  | 151   | 145   | 139  | 133   | 126   | 115  | 102   | 84    |    |
| IX8124/08    | 66    | 90   |                        | 216 | 180  | 172   | 166   | 158  | 152   | 144   | 131  | 116   | 96    |    |
| IX8124/09    | 75    | 100  |                        | 243 | 203  | 194   | 186   | 178  | 171   | 162   | 148  | 131   | 108   |    |
| IX8124/10    | 92    | 125  |                        | 270 | 225  | 215   | 207   | 198  | 190   | 180   | 164  | 145   | 120   |    |
| IX8124/11    | 92    | 125  |                        | 297 | 248  | 237   | 228   | 218  | 209   | 198   | 180  | 160   | 132   |    |
| IX8124/12    | 110   | 150  |                        | 324 | 270  | 258   | 248   | 238  | 228   | 216   | 197  | 174   | 144   |    |
| IX8124/13    | 110   | 150  |                        | 351 | 293  | 280   | 269   | 257  | 247   | 234   | 213  | 189   | 156   |    |

### 3. MEDIDAS MEASURES MESURES



| Tipo / Type | A mm<br>Tri V 400 | B mm | C mm Tri | M Kg Tri | P Kg |
|-------------|-------------------|------|----------|----------|------|
| IX8124/01   | 1276              | 525  | 751      | 60       | 20   |
| IX8124/02   | 1641              | 650  | 991      | 83       | 27   |
| IX8124/03   | 1956              | 775  | 1181     | 100      | 34   |
| IX8124/04   | 2241              | 900  | 1341     | 118      | 41   |
| IX8124/05   | 2148              | 1025 | 1123     | 178      | 48   |
| IX8124/06   | 2383              | 1150 | 1233     | 200      | 55   |
| IX8124/07   | 2578              | 1275 | 1303     | 214      | 62   |
| IX8124/08   | 2703              | 1400 | 1303     | 214      | 69   |
| IX8124/09   | 2908              | 1525 | 1383     | 230      | 76   |
| IX8124/10   | 3233              | 1650 | 1583     | 270      | 83   |
| IX8124/11   | 3358              | 1775 | 1583     | 270      | 90   |
| IX8124/12   | 3633              | 1900 | 1733     | 300      | 97   |
| IX8124/13   | 3758              | 2025 | 1733     | 300      | 104  |



PARA TUBO COMERCIAL  
FOR COMMERCIAL TUBE  
DIÁMETRO EXTERIOR: 139,7 mm  
EXTERNAL DIAMETER: 139,7 mm

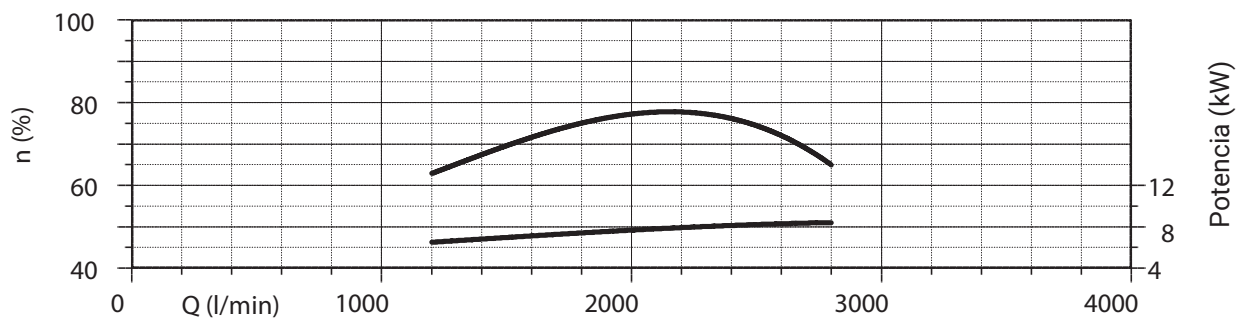
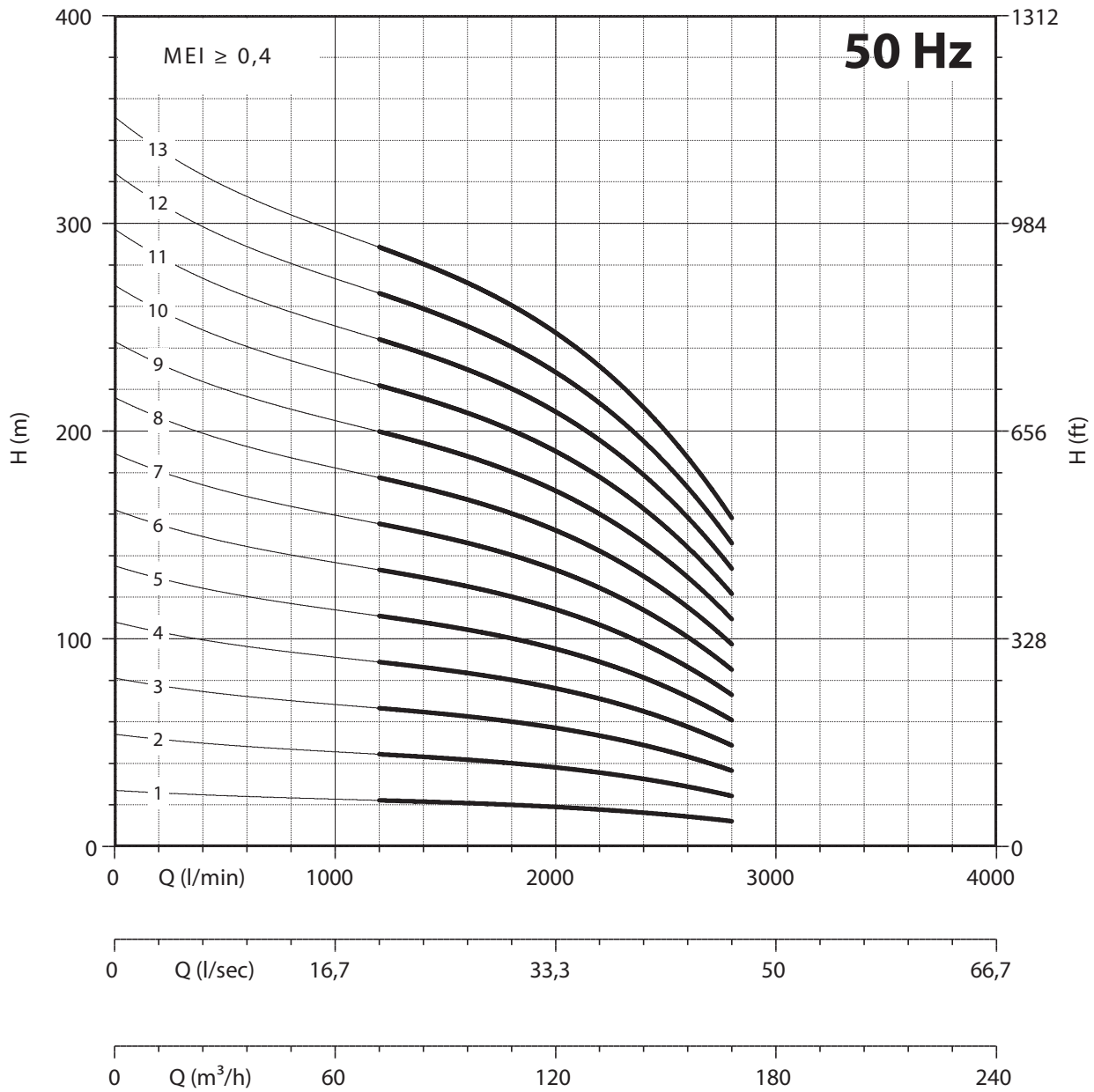
n% = Rendimiento de la bomba  
n% = Pump efficiency

Max  
78%

kW/st = Potencia absorbida por etapa  
kW/st = Stage absorption

Max  
8,4





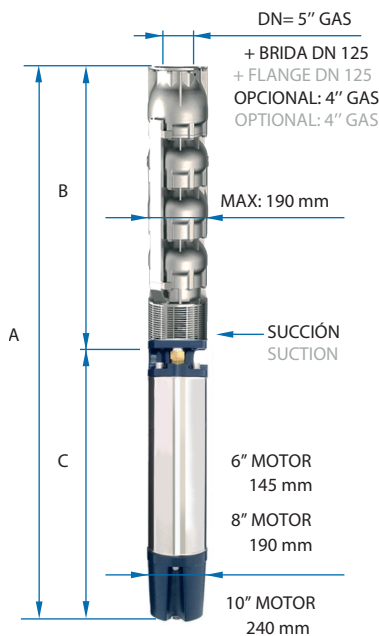
| NPSH (m) | 25% | 50% | 75% | 100% |
|----------|-----|-----|-----|------|
| IX8124   | 2,5 | 3   | 3,5 | 8,7  |

## SERIE IX8140 | 01-12

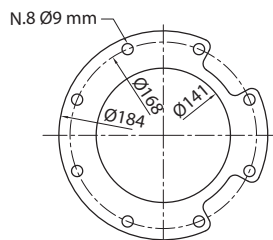
### 2. CURVAS CURVES COURBES

| Tipo<br>Type | Power |      | l/min<br>l/sec<br>m³/h | H(m) |       |      |       |       |      |       |       |      |       |  |  |
|--------------|-------|------|------------------------|------|-------|------|-------|-------|------|-------|-------|------|-------|--|--|
|              | kW    | HP   |                        | 0    | 1600  | 1800 | 2000  | 2200  | 2400 | 2600  | 2800  | 3000 | 3200  |  |  |
| IX8140/01    | 9,20  | 12,5 | 0                      | 0    | 26,67 | 30   | 33,33 | 36,67 | 40   | 43,33 | 46,67 | 50   | 53,33 |  |  |
| IX8140/02    | 18,50 | 25   | 0                      | 96   | 108   | 120  | 132   | 144   | 156  | 168   | 180   | 192  |       |  |  |
| IX8140/03    | 30    | 40   | 25                     | 20   | 19    | 19   | 18    | 17    | 17   | 16    | 14    | 12   |       |  |  |
| IX8140/04    | 37    | 50   | 50                     | 40   | 39    | 38   | 36    | 35    | 33   | 31    | 28    | 24   |       |  |  |
| IX8140/05    | 55    | 75   | 75                     | 60   | 58    | 56   | 54    | 52    | 50   | 47    | 41    | 36   |       |  |  |
| IX8140/06    | 55    | 75   | 100                    | 80   | 77    | 75   | 72    | 70    | 66   | 62    | 55    | 48   |       |  |  |
| IX8140/07    | 66    | 90   | 125                    | 100  | 97    | 94   | 91    | 87    | 83   | 78    | 69    | 60   |       |  |  |
| IX8140/08    | 75    | 100  | 150                    | 120  | 116   | 113  | 109   | 104   | 100  | 93    | 83    | 72   |       |  |  |
| IX8140/09    | 92    | 125  | 175                    | 140  | 135   | 132  | 127   | 122   | 116  | 109   | 97    | 84   |       |  |  |
| IX8140/10    | 110   | 150  | 200                    | 160  | 154   | 150  | 145   | 139   | 133  | 124   | 110   | 96   |       |  |  |
| IX8140/11    | 110   | 150  | 225                    | 180  | 174   | 169  | 163   | 157   | 149  | 140   | 124   | 108  |       |  |  |
| IX8140/12    | 110   | 150  | 250                    | 200  | 193   | 188  | 181   | 174   | 166  | 155   | 138   | 120  |       |  |  |
|              |       |      | 275                    | 220  | 212   | 207  | 199   | 191   | 183  | 171   | 152   | 132  |       |  |  |
|              |       |      | 300                    | 240  | 232   | 226  | 217   | 209   | 199  | 186   | 166   | 144  |       |  |  |

### 3. MEDIDAS MEASURES MESURES



| Tipo / Type | A mm<br>Tri V 400 | B mm | C mm Tri | M Kg Tri | P Kg |
|-------------|-------------------|------|----------|----------|------|
| IX8140/01   | 1301              | 550  | 751      | 60       | 20   |
| IX8140/02   | 1691              | 700  | 991      | 83       | 28   |
| IX8140/03   | 2101              | 850  | 1251     | 108      | 35   |
| IX8140/04   | 2341              | 1000 | 1341     | 118      | 43   |
| IX8140/05   | 2383              | 1150 | 1233     | 200      | 50   |
| IX8140/06   | 2533              | 1300 | 1233     | 200      | 58   |
| IX8140/07   | 2753              | 1450 | 1303     | 214      | 65   |
| IX8140/08   | 2983              | 1600 | 1383     | 230      | 73   |
| IX8140/09   | 3333              | 1750 | 1583     | 270      | 80   |
| IX8140/10   | 3633              | 1900 | 1733     | 300      | 88   |
| IX8140/11   | 3783              | 2050 | 1733     | 300      | 95   |
| IX8140/12   | 3933              | 2200 | 1733     | 300      | 103  |



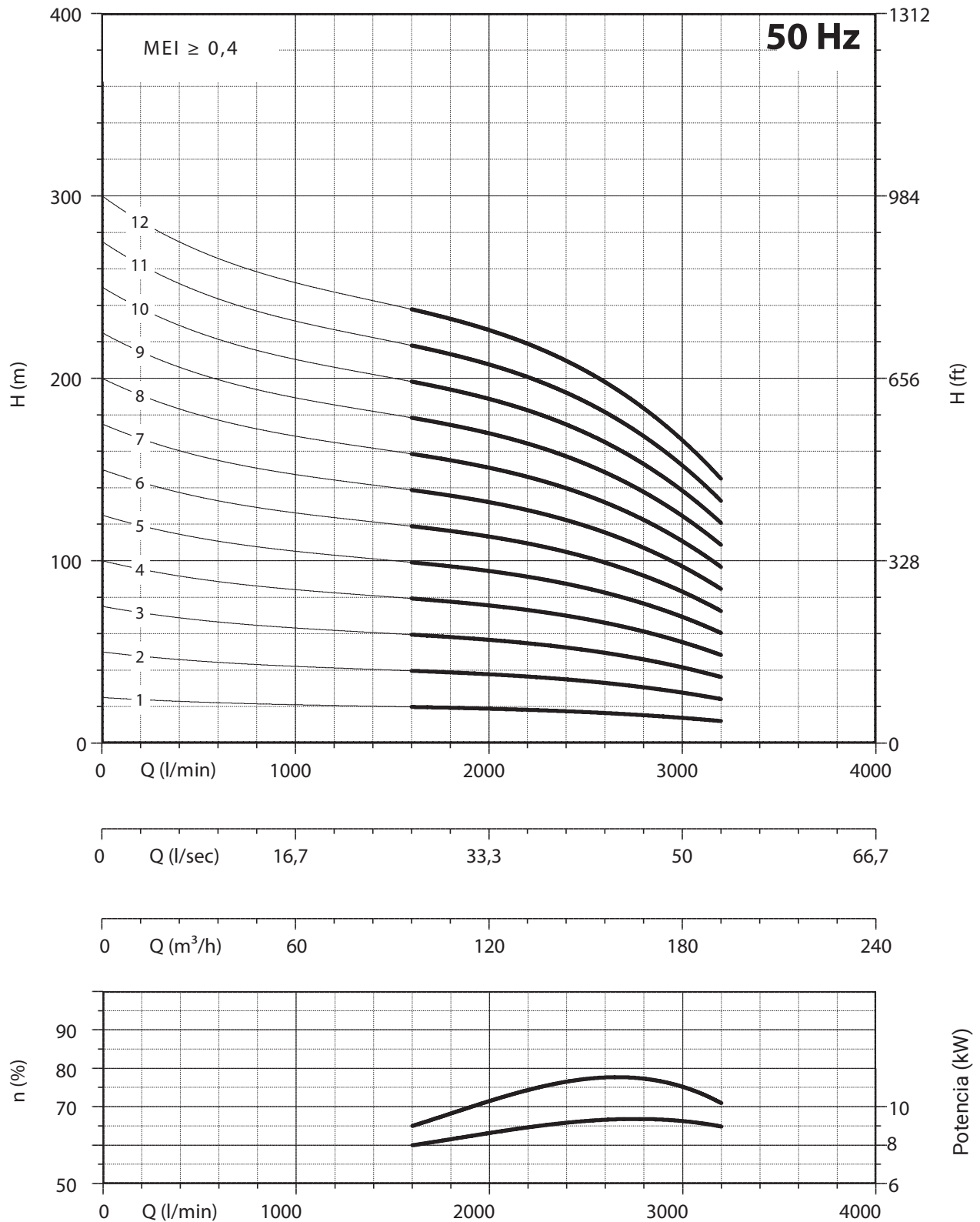
PARA TUBO COMERCIAL  
FOR COMMERCIAL TUBE  
DIÁMETRO EXTERIOR: 139,7 mm  
EXTERNAL DIAMETER: 139,7 mm

n% = Rendimiento de la bomba  
n% = Pump efficiency

Max  
78,5%

kW/st = Potencia absorbida por etapa  
kW/st = Stage absorption

Max  
9,4



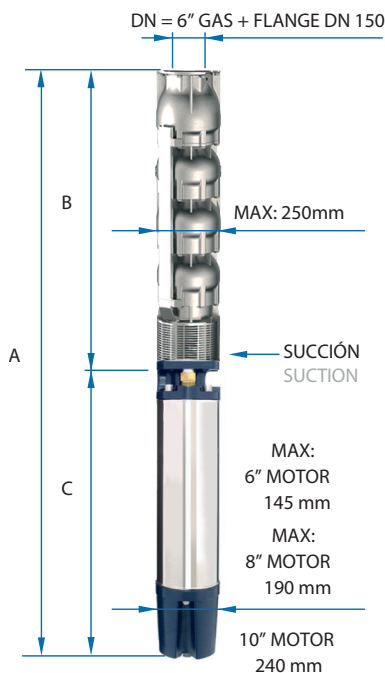
| NPSH (m) | 25% | 50% | 75% | 100% |
|----------|-----|-----|-----|------|
| IX8140   | 4   | 4,5 | 7   | 13   |

## SERIE IX10200 | 01-05

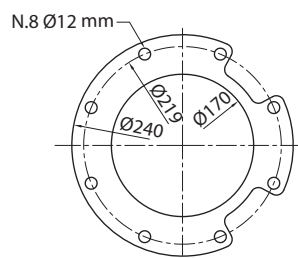
### 2. CURVAS CURVES COURBES

| Tipo<br>Type   | Power |     | l/min<br>l/sec<br>m³/h | 0   | 1800 | 2200  | 2600  | 3000 | 3400  | 3800  | 4000  |
|----------------|-------|-----|------------------------|-----|------|-------|-------|------|-------|-------|-------|
|                | kW    | HP  |                        | 0   | 30   | 36,67 | 43,33 | 50   | 56,67 | 63,33 | 66,67 |
|                |       |     |                        | 0   | 108  | 132   | 156   | 180  | 204   | 228   | 240   |
| IX10200/01DR20 | 18,5  | 25  | H(m)                   | 35  | 32   | 30    | 27    | 24   | 21    | 16    | 14    |
| IX10200/01DR10 | 18,5  | 25  |                        | 38  | 35   | 33    | 31    | 28   | 24    | 20    | 17    |
| IX10200/01     | 22    | 30  |                        | 42  | 38   | 36    | 34    | 31   | 28    | 23    | 21    |
| IX10200/02DR20 | 37    | 50  |                        | 69  | 63   | 60    | 55    | 49   | 41    | 33    | 28    |
| IX10200/02DR10 | 37    | 50  |                        | 76  | 70   | 66    | 61    | 55   | 48    | 40    | 35    |
| IX10200/02     | 44    | 60  |                        | 83  | 77   | 73    | 68    | 62   | 55    | 47    | 41    |
| IX10200/03DR20 | 55    | 75  |                        | 104 | 95   | 89    | 82    | 73   | 62    | 49    | 42    |
| IX10200/03DR10 | 55    | 75  |                        | 114 | 105  | 99    | 92    | 83   | 72    | 59    | 52    |
| IX10200/03     | 66    | 90  |                        | 125 | 115  | 109   | 102   | 93   | 83    | 70    | 62    |
| IX10200/04DR20 | 66    | 90  |                        | 138 | 126  | 119   | 110   | 98   | 82    | 66    | 56    |
| IX10200/04DR10 | 75    | 100 |                        | 152 | 140  | 132   | 122   | 110  | 96    | 79    | 70    |
| IX10200/04     | 92    | 125 |                        | 166 | 154  | 146   | 136   | 124  | 110   | 94    | 82    |
| IX10200/05DR20 | 92    | 125 |                        | 173 | 158  | 149   | 137   | 122  | 103   | 82    | 70    |
| IX10200/05DR10 | 92    | 125 |                        | 190 | 175  | 165   | 153   | 138  | 120   | 99    | 87    |
| IX10200/05     | 110   | 150 |                        | 208 | 192  | 182   | 170   | 155  | 138   | 117   | 103   |

### 3. MEDIDAS MEASURES MESURES



| Tipo / Type    | A mm<br>Tri V 400 | B mm | C mm Tri | M Kg Tri | P Kg |
|----------------|-------------------|------|----------|----------|------|
| IX10200/01DR20 | 1616              | 625  | 991      | 83       | 41   |
| IX10200/01DR10 | 1616              | 625  | 991      | 83       | 41   |
| IX10200/01     | 1696              | 625  | 1071     | 92       | 41   |
| IX10200/02DR20 | 2146              | 805  | 1341     | 118      | 56   |
| IX10200/02DR10 | 2146              | 805  | 1341     | 118      | 56   |
| IX10200/02     | 1928              | 805  | 1123     | 178      | 56   |
| IX10200/03DR20 | 2218              | 985  | 1233     | 200      | 72   |
| IX10200/03DR10 | 2218              | 985  | 1233     | 200      | 72   |
| IX10200/03     | 2288              | 985  | 1303     | 214      | 72   |
| IX10200/04DR20 | 2468              | 1165 | 1303     | 214      | 87   |
| IX10200/04DR10 | 2548              | 1165 | 1383     | 230      | 87   |
| IX10200/04     | 2748              | 1165 | 1583     | 270      | 87   |
| IX10200/05DR20 | 2928              | 1345 | 1583     | 270      | 103  |
| IX10200/05DR10 | 2928              | 1345 | 1583     | 270      | 103  |
| IX10200/05     | 3078              | 1345 | 1733     | 300      | 103  |



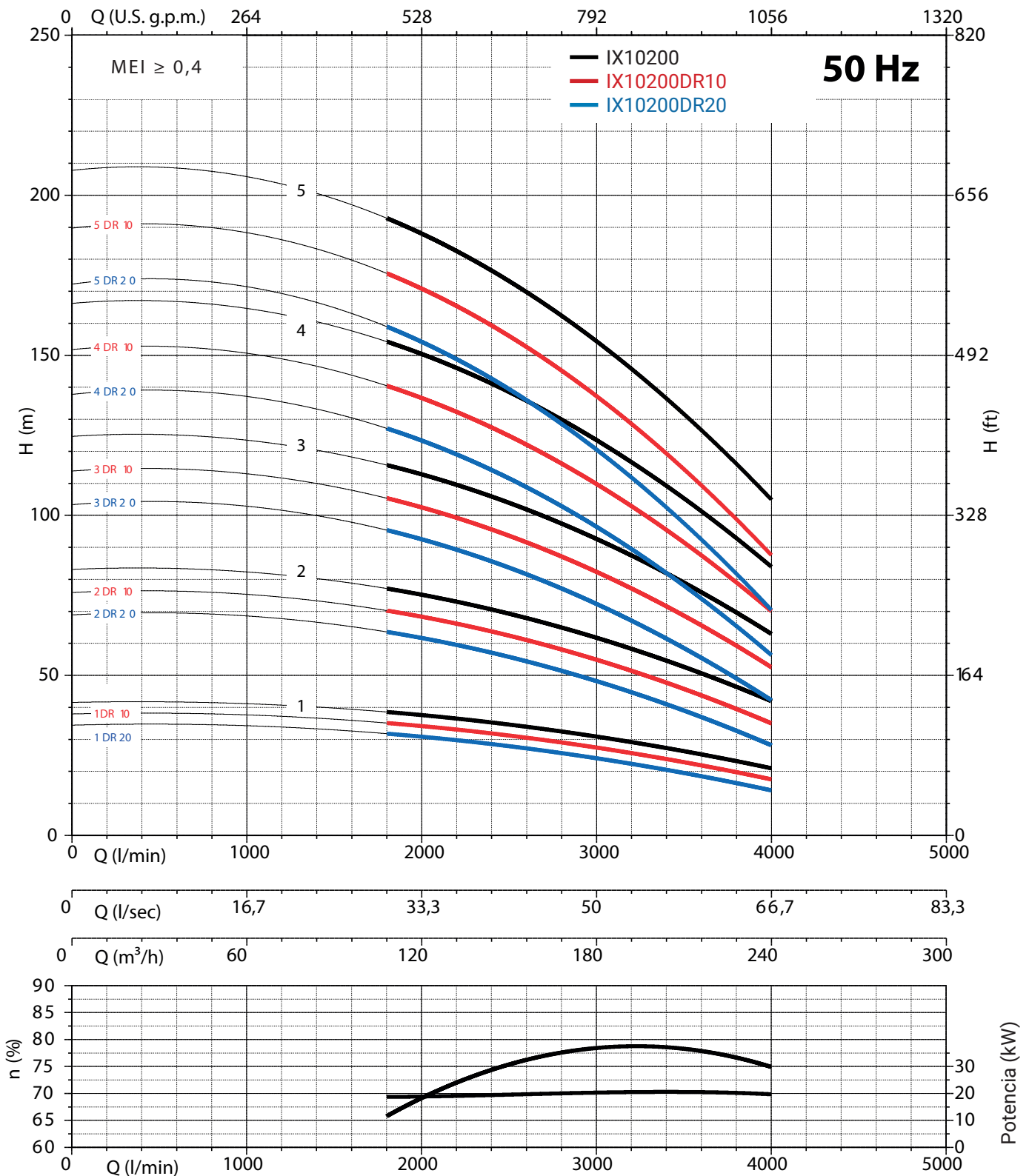
PARA TUBO COMERCIAL  
FOR COMMERCIAL TUBE  
DIÁMETRO EXTERIOR: 168,3 mm  
EXTERNAL DIAMETER: 168,3 mm

n% = Rendimiento de la bomba  
n% = Pump efficiency

|     | DR10  | DR20  |
|-----|-------|-------|
| Max | Max   | Max   |
| 77% | 77,5% | 76,5% |

kW/st = Potencia absorbida por etapa  
kW/st = Stage absorption

|      | DR10 | DR20 |
|------|------|------|
| Max  | Max  | Max  |
| 20,8 | 18,5 | 16   |



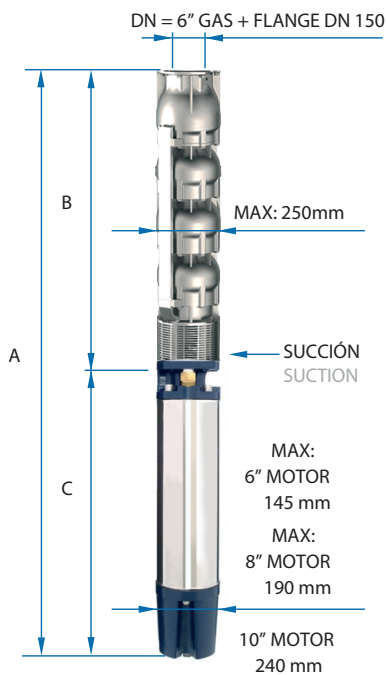
| NPSH (m) | 25% | 50% | 75% | 100% |
|----------|-----|-----|-----|------|
| IX10200  | 3,4 | 5   | 7,8 | 11,8 |

## SERIE IX10200 | 06-09

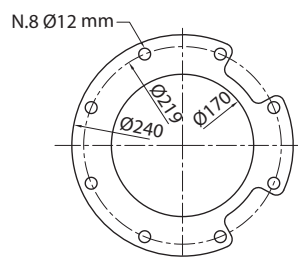
### 2. CURVAS CURVES COURBES

| Tipo<br>Type   | Power |     | l/min<br>l/sec<br>m³/h | 0   | 1800 | 2200  | 2600  | 3000 | 3400  | 3800  | 4000  |
|----------------|-------|-----|------------------------|-----|------|-------|-------|------|-------|-------|-------|
|                | kW    | HP  |                        | 0   | 30   | 36,67 | 43,33 | 50   | 56,67 | 63,33 | 66,67 |
|                |       |     |                        | 0   | 108  | 132   | 156   | 180  | 204   | 228   | 240   |
| IX10200/06DR20 | 110   | 150 | H(m)                   | 208 | 190  | 179   | 164   | 146  | 124   | 98    | 84    |
| IX10200/06DR10 | 110   | 150 |                        | 228 | 210  | 198   | 184   | 166  | 144   | 119   | 104   |
| IX10200/06     | 129   | 175 |                        | 250 | 230  | 218   | 204   | 186  | 166   | 140   | 124   |
| IX10200/07DR20 | 110   | 150 |                        | 242 | 221  | 209   | 192   | 171  | 144   | 115   | 98    |
| IX10200/07DR10 | 129   | 175 |                        | 266 | 245  | 231   | 214   | 193  | 168   | 139   | 122   |
| IX10200/07     | 147   | 200 |                        | 291 | 269  | 255   | 238   | 217  | 193   | 164   | 144   |
| IX10200/08DR20 | 129   | 175 |                        | 277 | 253  | 238   | 219   | 195  | 165   | 131   | 112   |
| IX10200/08DR10 | 147   | 200 |                        | 304 | 280  | 264   | 245   | 221  | 192   | 158   | 139   |
| IX10200/08     | 165   | 225 |                        | 333 | 307  | 291   | 272   | 248  | 221   | 187   | 165   |
| IX10200/09DR10 | 147   | 200 |                        | 311 | 284  | 268   | 247   | 220  | 185   | 148   | 126   |
| IX10200/09DR10 | 165   | 225 |                        | 342 | 315  | 297   | 275   | 248  | 216   | 178   | 157   |
| IX10200/09     | 185   | 250 |                        | 374 | 346  | 328   | 306   | 279  | 248   | 211   | 185   |

### 3. MEDIDAS MEASURES MESURES



| Tipo / Type    | A mm<br>Tri V 400 | B mm | C mm Tri | M Kg Tri | P Kg |
|----------------|-------------------|------|----------|----------|------|
| IX10200/06DR20 | 3258              | 1525 | 1733     | 300      | 118  |
| IX10200/06DR10 | 3258              | 1525 | 1733     | 300      | 118  |
| IX10200/06     | 3159              | 1525 | 1634     | 385      | 118  |
| IX10200/07DR20 | 3438              | 1705 | 1733     | 300      | 134  |
| IX10200/07DR10 | 3339              | 1705 | 1634     | 385      | 134  |
| IX10200/07     | 3439              | 1705 | 1734     | 415      | 134  |
| IX10200/08DR20 | 3519              | 1885 | 1634     | 385      | 149  |
| IX10200/08DR10 | 3619              | 1885 | 1734     | 415      | 149  |
| IX10200/08     | 3739              | 1885 | 1854     | 444      | 149  |
| IX10200/09DR10 | 3799              | 2065 | 1734     | 415      | 165  |
| IX10200/09DR10 | 3919              | 2065 | 1854     | 444      | 165  |
| IX10200/09     | 4049              | 2065 | 1984     | 480      | 165  |



PARA TUBO COMERCIAL  
FOR COMMERCIAL TUBE  
DIÁMETRO EXTERIOR: 168,3 mm  
EXTERNAL DIAMETER: 168,3 mm

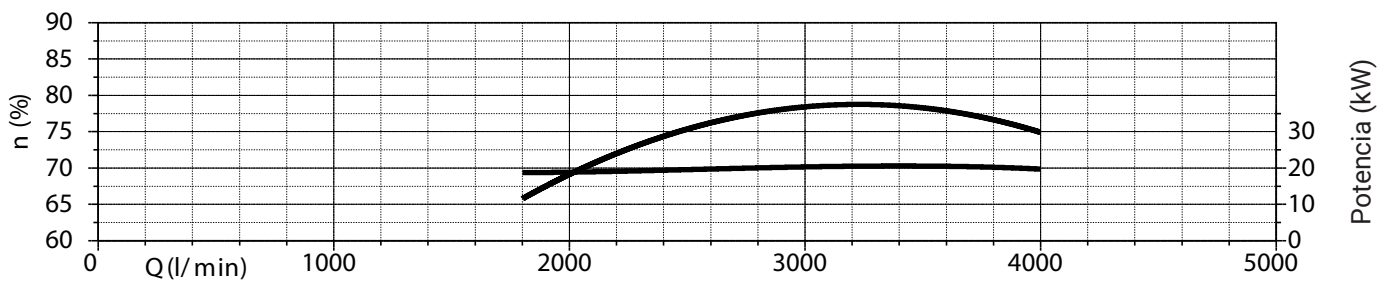
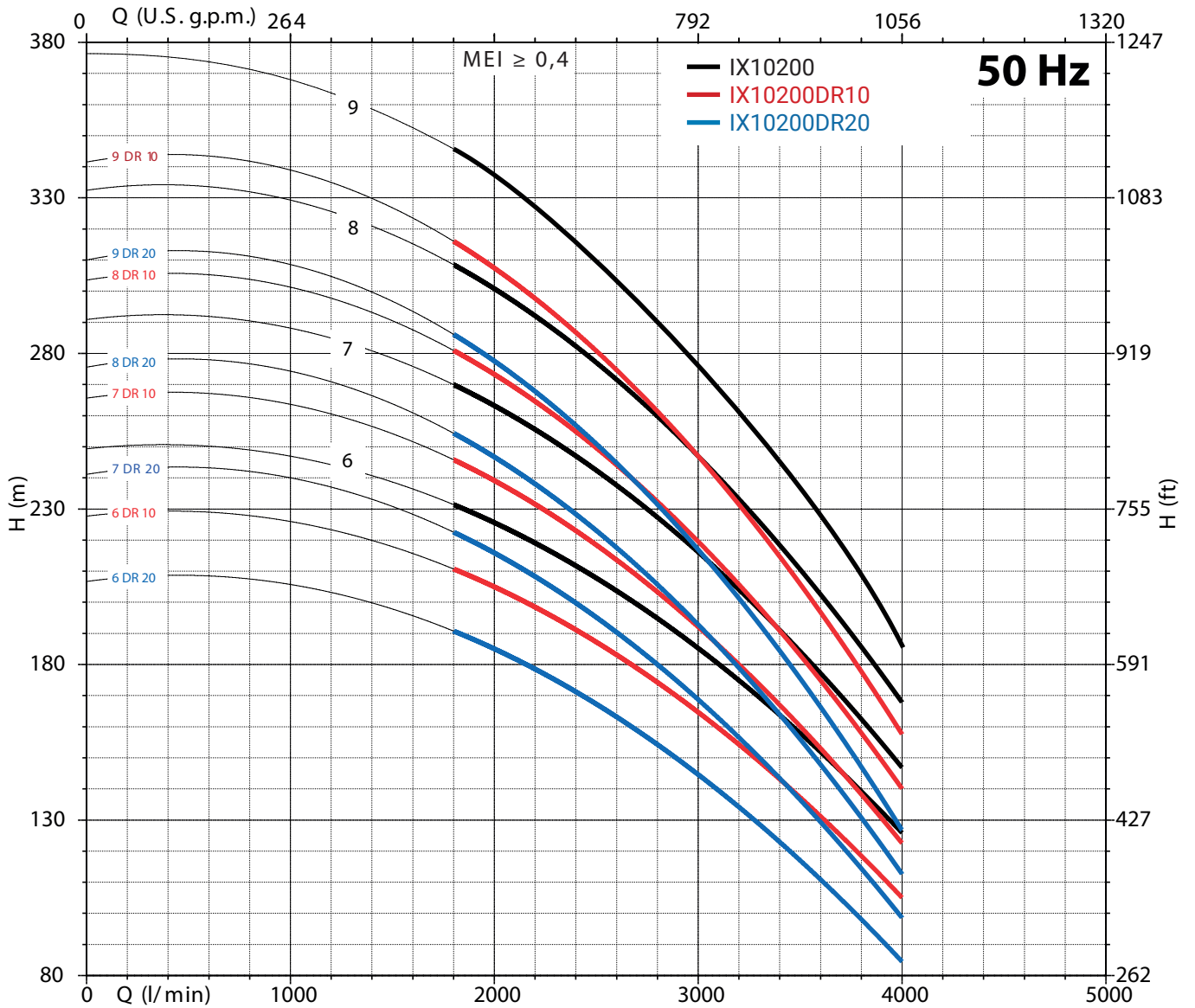
n% = Rendimiento de la bomba  
n% = Pump efficiency

|     | DR10  | DR20  |
|-----|-------|-------|
| Max | Max   | Max   |
| 77% | 77,5% | 76,5% |

kW/st = Potencia absorbida por etapa  
kW/st = Stage absorption

|      | DR10 | DR20 |
|------|------|------|
| Max  | Max  | Max  |
| 20,8 | 18,5 | 16   |





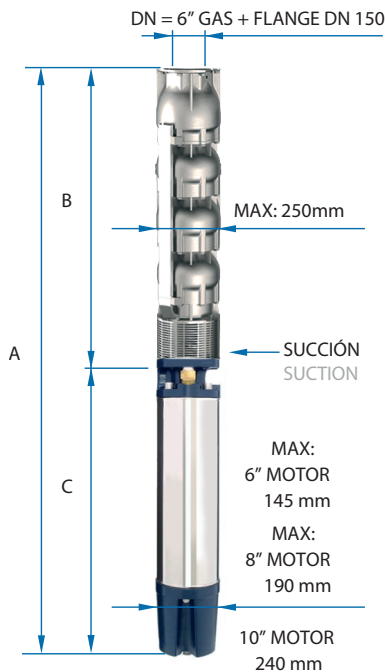
| NPSH (m) | 25% | 50% | 75% | 100% |
|----------|-----|-----|-----|------|
| IX10200  | 3,4 | 5   | 7,8 | 11,8 |

## SERIE IX10220 | 01-07

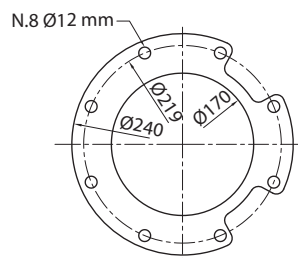
### 2. CURVAS CURVES COURBES

| Tipo<br>Type   | Power |     | l/min<br>l/sec<br>m³/h | 0   | 2200  | 2600  | 3000 | 3400  | 3800  | 4200 | 4600  |
|----------------|-------|-----|------------------------|-----|-------|-------|------|-------|-------|------|-------|
|                | kW    | HP  |                        | 0   | 36,67 | 43,33 | 50   | 56,67 | 63,33 | 70   | 76,67 |
| IX10220/01DR20 | 18,5  | 25  | H(m)                   | 37  | 31    | 29    | 27   | 25    | 23    | 19   | 16    |
| IX10220/01DR10 | 22    | 30  |                        | 40  | 34    | 33    | 31   | 29    | 26    | 23   | 20    |
| IX10220/01     | 22    | 30  |                        | 44  | 38    | 36    | 34   | 32    | 30    | 26   | 23    |
| IX10220/02DR20 | 37    | 50  |                        | 74  | 62    | 58    | 54   | 50    | 45    | 38   | 32    |
| IX10220/02DR10 | 44    | 60  |                        | 81  | 68    | 65    | 61   | 57    | 52    | 46   | 39    |
| IX10220/02     | 44    | 60  |                        | 88  | 75    | 72    | 68   | 64    | 59    | 53   | 46    |
| IX10220/03DR20 | 55    | 75  |                        | 110 | 93    | 87    | 81   | 75    | 68    | 57   | 48    |
| IX10220/03DR10 | 66    | 90  |                        | 121 | 102   | 98    | 92   | 86    | 78    | 68   | 59    |
| IX10220/03     | 75    | 100 |                        | 131 | 113   | 108   | 102  | 96    | 89    | 79   | 69    |
| IX10220/04DR20 | 75    | 100 |                        | 147 | 124   | 116   | 108  | 100   | 90    | 76   | 64    |
| IX10220/04DR10 | 92    | 125 |                        | 162 | 136   | 130   | 122  | 114   | 104   | 91   | 78    |
| IX10220/04     | 92    | 125 |                        | 175 | 150   | 144   | 136  | 128   | 118   | 106  | 92    |
| IX10220/05DR20 | 92    | 125 |                        | 184 | 155   | 145   | 135  | 125   | 113   | 95   | 80    |
| IX10220/05DR10 | 110   | 150 |                        | 202 | 170   | 163   | 153  | 143   | 130   | 114  | 98    |
| IX10220/05     | 129   | 175 |                        | 219 | 188   | 180   | 170  | 160   | 148   | 132  | 115   |
| IX10220/06DR20 | 110   | 150 |                        | 221 | 186   | 174   | 162  | 150   | 136   | 114  | 96    |
| IX10220/06DR10 | 129   | 175 |                        | 242 | 204   | 196   | 184  | 172   | 156   | 137  | 118   |
| IX10220/06     | 147   | 200 |                        | 263 | 226   | 216   | 204  | 192   | 178   | 158  | 138   |
| IX10220/07DR20 | 129   | 175 |                        | 258 | 217   | 203   | 189  | 175   | 158   | 133  | 112   |
| IX10220/07DR10 | 147   | 200 |                        | 283 | 238   | 228   | 214  | 200   | 182   | 160  | 137   |
| IX10220/07     | 165   | 225 | 307                    | 263 | 252   | 238   | 224  | 207   | 185   | 161  |       |

### 3. MEDIDAS MEASURES MESURES



| Tipo / Type    | A mm<br>Tri V 400 | B mm | C mm Tri | M Kg Tri | P Kg |
|----------------|-------------------|------|----------|----------|------|
| IX10220/01DR20 | 1616              | 625  | 991      | 83       | 41   |
| IX10220/01DR10 | 1696              | 625  | 1071     | 92       | 41   |
| IX10220/01     | 1696              | 625  | 1071     | 92       | 41   |
| IX10220/02DR20 | 2146              | 805  | 1341     | 118      | 56   |
| IX10220/02DR10 | 1928              | 805  | 1123     | 178      | 56   |
| IX10220/02     | 1928              | 805  | 1123     | 178      | 56   |
| IX10220/03DR20 | 2218              | 985  | 1233     | 200      | 72   |
| IX10220/03DR10 | 2288              | 985  | 1303     | 214      | 72   |
| IX10220/03     | 2368              | 985  | 1383     | 230      | 72   |
| IX10220/04DR20 | 2548              | 1165 | 1383     | 230      | 87   |
| IX10220/04DR10 | 2748              | 1165 | 1583     | 270      | 87   |
| IX10220/04     | 2748              | 1165 | 1583     | 270      | 87   |
| IX10220/05DR20 | 2928              | 1345 | 1583     | 270      | 103  |
| IX10220/05DR10 | 3078              | 1345 | 1733     | 300      | 103  |
| IX10220/05     | 2979              | 1345 | 1634     | 385      | 103  |
| IX10220/06DR20 | 3258              | 1525 | 1733     | 300      | 118  |
| IX10220/06DR10 | 3159              | 1525 | 1634     | 385      | 118  |
| IX10220/06     | 3259              | 1525 | 1734     | 415      | 118  |
| IX10220/07DR20 | 3339              | 1705 | 1634     | 385      | 134  |
| IX10220/07DR10 | 3439              | 1705 | 1734     | 415      | 134  |
| IX10220/07     | 3559              | 1705 | 1854     | 444      | 134  |



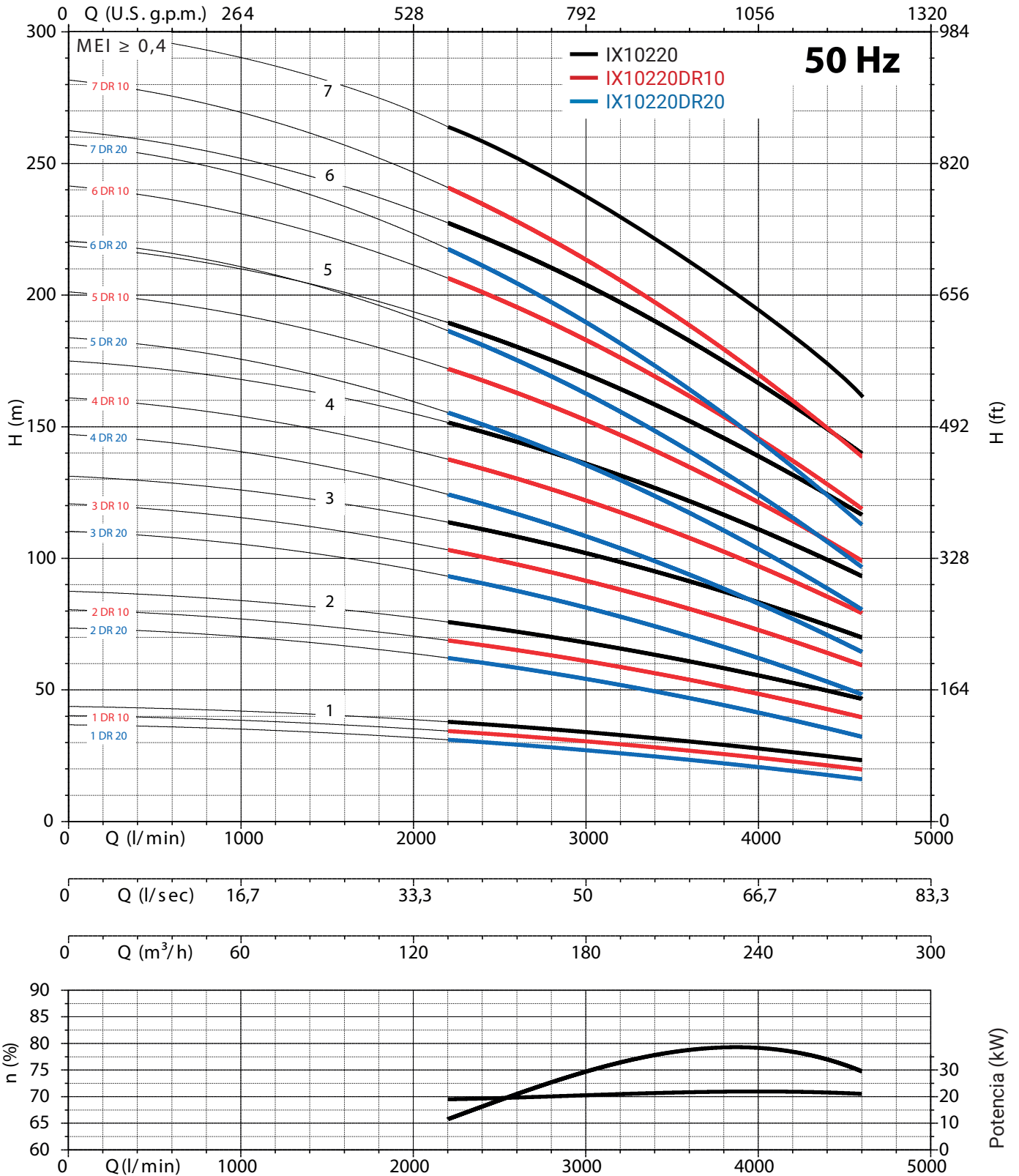
PARA TUBO COMERCIAL  
FOR COMMERCIAL TUBE  
DIÁMETRO EXTERIOR: 168,3 mm  
EXTERNAL DIAMETER: 168,3 mm

n% = Rendimiento de la bomba  
n% = Pump efficiency

|       | DR10  | DR20  |
|-------|-------|-------|
| Max   | Max   | Max   |
| 79,2% | 79,5% | 78,4% |

kW/st = Potencia absorbida por etapa  
kW/st = Stage absorption

|      | DR10 | DR20 |
|------|------|------|
| Max  | Max  | Max  |
| 22,8 | 19,5 | 17,5 |



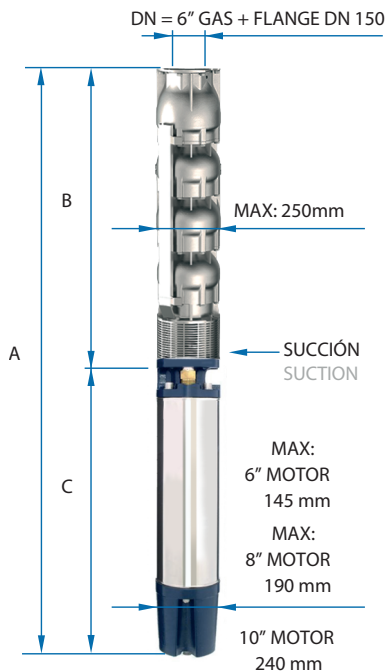
| NPSH (m) | 25% | 50% | 75% | 100% |
|----------|-----|-----|-----|------|
| IX10220  | 3,4 | 5   | 7,8 | 11,8 |

## SERIE IX10240 | 01-07

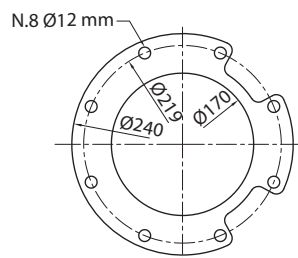
### 2. CURVAS CURVES COURBES

| Tipo<br>Type   | Power |     | l/min<br>l/sec<br>m³/h | 0   | 2400 | 2800  | 3200  | 3600 | 4000  | 4400  | 4800 | 5000  | 5200  |  |
|----------------|-------|-----|------------------------|-----|------|-------|-------|------|-------|-------|------|-------|-------|--|
|                | kW    | HP  |                        | 0   | 40   | 46,67 | 53,33 | 60   | 66,67 | 73,33 | 80   | 83,33 | 86,67 |  |
| IX10240/01DR20 | 18,5  | 25  | H(m)                   | 31  | 29   | 28    | 27    | 25   | 23    | 21    | 18   |       |       |  |
| IX10240/01DR10 | 22    | 30  |                        | 36  | 33   | 32    | 31    | 29   | 27    | 24    | 22   | 20    |       |  |
| IX10240/01     | 30    | 40  |                        | 44  | 37   | 35    | 34    | 32   | 30    | 28    | 26   | 25    | 24    |  |
| IX10240/02DR20 | 37    | 50  |                        | 62  | 58   | 56    | 54    | 50   | 46    | 42    | 36   |       |       |  |
| IX10240/02DR10 | 44    | 60  |                        | 72  | 66   | 64    | 62    | 58   | 54    | 48    | 44   | 40    |       |  |
| IX10240/02     | 55    | 75  |                        | 88  | 73   | 69    | 67    | 64   | 59    | 56    | 52   | 50    | 48    |  |
| IX10240/03DR20 | 55    | 75  |                        | 94  | 88   | 85    | 81    | 76   | 70    | 63    | 53   |       |       |  |
| IX10240/03DR10 | 66    | 90  |                        | 107 | 100  | 97    | 93    | 86   | 80    | 73    | 65   | 59    |       |  |
| IX10240/03     | 92    | 125 |                        | 132 | 110  | 104   | 101   | 96   | 89    | 83    | 78   | 75    | 72    |  |
| IX10240/04DR20 | 75    | 100 |                        | 125 | 117  | 113   | 108   | 101  | 93    | 84    | 71   |       |       |  |
| IX10240/04DR10 | 92    | 125 |                        | 143 | 133  | 129   | 124   | 115  | 107   | 97    | 87   | 79    |       |  |
| IX10240/04     | 110   | 150 |                        | 176 | 146  | 138   | 134   | 128  | 118   | 111   | 104  | 100   | 96    |  |
| IX10240/05DR20 | 92    | 125 |                        | 156 | 146  | 141   | 135   | 126  | 116   | 105   | 89   |       |       |  |
| IX10240/05DR10 | 110   | 150 |                        | 179 | 166  | 161   | 155   | 144  | 134   | 121   | 109  | 99    |       |  |
| IX10240/05     | 147   | 200 |                        | 220 | 183  | 173   | 168   | 160  | 148   | 139   | 130  | 125   | 120   |  |
| IX10240/06DR20 | 110   | 150 |                        | 187 | 175  | 169   | 162   | 151  | 139   | 126   | 107  |       |       |  |
| IX10240/06DR10 | 147   | 200 |                        | 215 | 199  | 193   | 186   | 173  | 161   | 145   | 131  | 119   |       |  |
| IX10240/06     | 165   | 225 |                        | 264 | 220  | 208   | 202   | 192  | 178   | 167   | 156  | 150   | 144   |  |
| IX10240/07DR20 | 129   | 175 |                        | 218 | 204  | 197   | 189   | 176  | 162   | 147   | 125  |       |       |  |
| IX10240/07DR10 | 165   | 225 |                        | 251 | 232  | 225   | 217   | 202  | 188   | 169   | 153  | 139   |       |  |
| IX10240/07     | 220   | 300 | 308                    | 256 | 242  | 235   | 224   | 207  | 195   | 182   | 175  | 168   |       |  |

### 3. MEDIDAS MEASURES MESURES

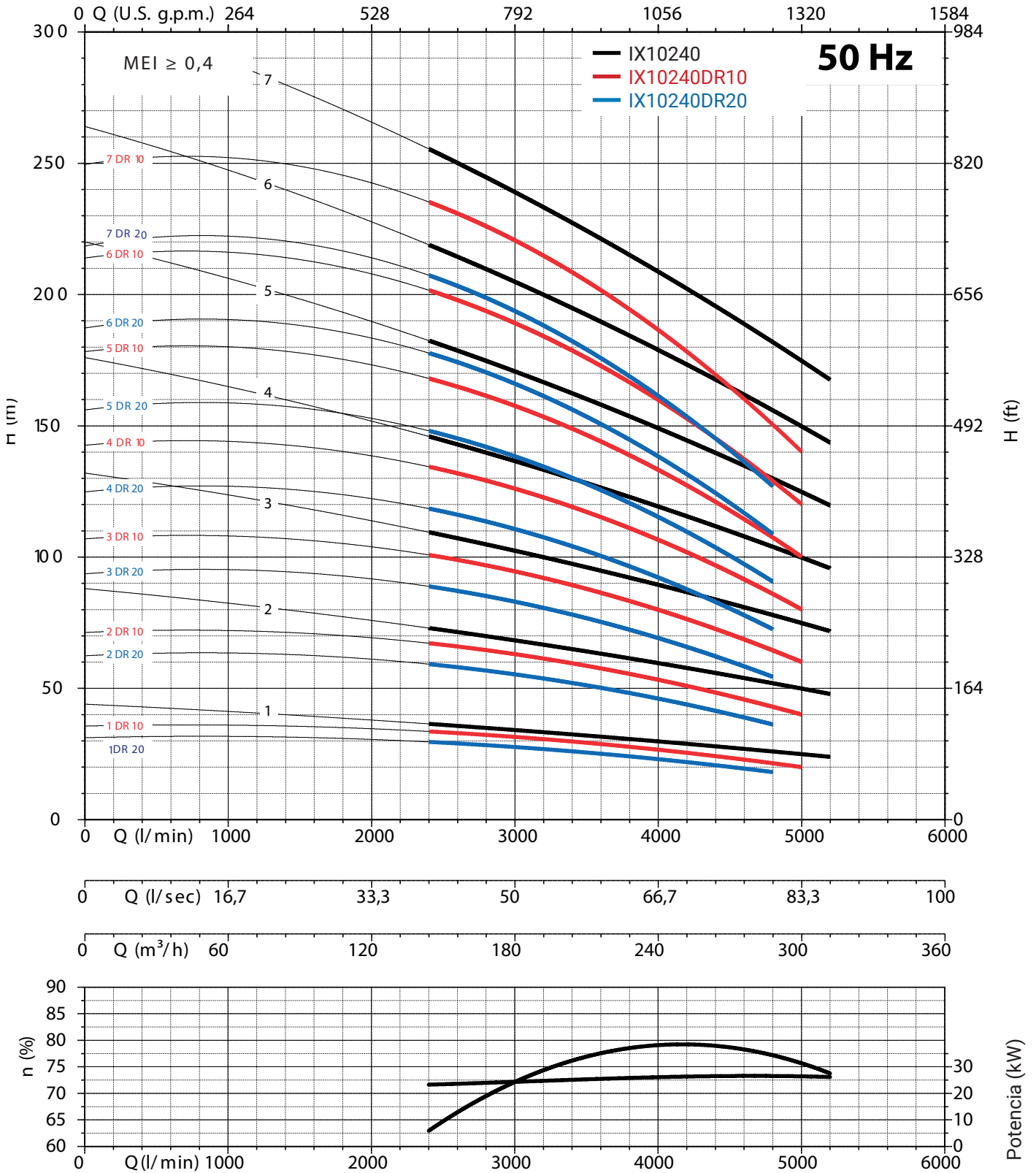


| Tipo / Type    | A mm<br>Tri V 400 | B mm | C mm Tri | M Kg Tri | P Kg |
|----------------|-------------------|------|----------|----------|------|
| IX10240/01DR20 | 1616              | 625  | 991      | 83       | 41   |
| IX10240/01DR10 | 1696              | 625  | 1071     | 92       | 41   |
| IX10240/01     | 1876              | 625  | 1251     | 108      | 41   |
| IX10240/02DR20 | 2146              | 805  | 1341     | 118      | 56   |
| IX10240/02DR10 | 1928              | 805  | 1123     | 178      | 56   |
| IX10240/02     | 2038              | 805  | 1233     | 200      | 56   |
| IX10240/03DR20 | 2218              | 985  | 1233     | 200      | 72   |
| IX10240/03DR10 | 2288              | 985  | 1303     | 214      | 72   |
| IX10240/03     | 2568              | 985  | 1583     | 270      | 72   |
| IX10240/04DR20 | 2548              | 1165 | 1383     | 230      | 87   |
| IX10240/04DR10 | 2748              | 1165 | 1583     | 270      | 87   |
| IX10240/04     | 2898              | 1165 | 1733     | 300      | 87   |
| IX10240/05DR20 | 2928              | 1345 | 1583     | 270      | 103  |
| IX10240/05DR10 | 3078              | 1345 | 1733     | 300      | 103  |
| IX10240/05     | 3079              | 1345 | 1734     | 415      | 103  |
| IX10240/06DR20 | 3258              | 1525 | 1733     | 300      | 118  |
| IX10240/06DR10 | 3259              | 1525 | 1734     | 415      | 118  |
| IX10240/06     | 3379              | 1525 | 1854     | 444      | 118  |
| IX10240/07DR20 | 3339              | 1705 | 1634     | 385      | 134  |
| IX10240/07DR10 | 3559              | 1705 | 1854     | 444      | 134  |
| IX10240/07     | 0                 | 1705 | 0        | 0        | 134  |



PARA TUBO COMERCIAL  
FOR COMMERCIAL TUBE  
DIÁMETRO EXTERIOR: 168,3 mm  
EXTERNAL DIAMETER: 168,3 mm

|  | DR10         | DR20         |
|--|--------------|--------------|
| n% = Rendimiento de la bomba<br>n% = Pump efficiency             | Max<br>79,2% | Max<br>79,5% |
| kW/st = Potencia absorbida por etapa<br>kW/st = Stage absorption | Max<br>27,5  | Max<br>22,5  |
|  | Max<br>18    | Max<br>18    |



| NPSH (m) | 25% | 50% | 75% | 100% |
|----------|-----|-----|-----|------|
| IX10240  | 3,4 | 5   | 7,8 | 11,8 |

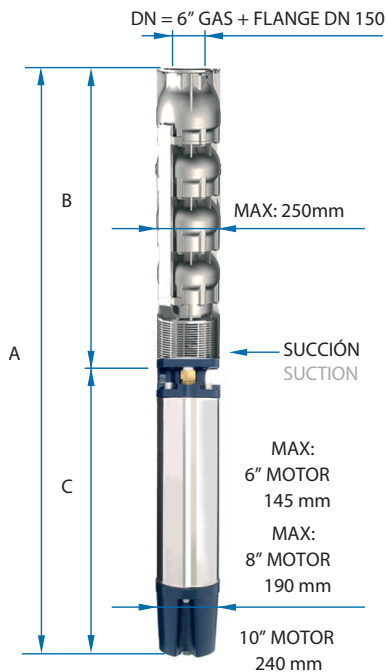


## SERIE IX10280 | 01-07

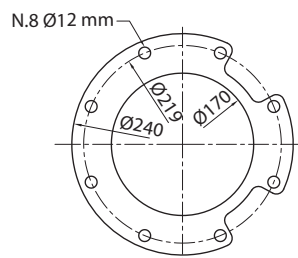
### 2. CURVAS CURVES COURBES

| Tipo<br>Type   | Power |     | l/min<br>l/sec<br>m³/h | 0   | 3000 | 3400  | 3800  | 4200 | 4600  | 5000  | 5400 | 5800  |
|----------------|-------|-----|------------------------|-----|------|-------|-------|------|-------|-------|------|-------|
|                | kW    | HP  |                        | 0   | 50   | 56,67 | 63,33 | 70   | 76,67 | 83,33 | 90   | 96,67 |
|                |       |     |                        | 0   | 180  | 204   | 228   | 252  | 276   | 300   | 324  | 348   |
| IX10280/01DR20 | 26    | 35  | H(m)                   | 36  | 29   | 28    | 26    | 25   | 23    | 21    | 19   | 16    |
| IX10280/01DR10 | 30    | 40  |                        | 41  | 33   | 32    | 31    | 29   | 27    | 26    | 24   | 21    |
| IX10280/01     | 44    | 60  |                        | 45  | 38   | 37    | 35    | 34   | 32    | 30    | 28   | 25    |
| IX10280/02DR20 | 55    | 75  |                        | 72  | 58   | 56    | 52    | 50   | 46    | 42    | 39   | 32    |
| IX10280/02DR10 | 66    | 90  |                        | 82  | 67   | 65    | 62    | 59   | 55    | 52    | 48   | 42    |
| IX10280/02     | 66    | 90  |                        | 90  | 75   | 73    | 70    | 67   | 63    | 60    | 56   | 50    |
| IX10280/03DR20 | 75    | 100 |                        | 109 | 86   | 83    | 79    | 74   | 68    | 64    | 58   | 49    |
| IX10280/03DR10 | 92    | 125 |                        | 122 | 100  | 97    | 92    | 88   | 82    | 77    | 72   | 62    |
| IX10280/03     | 110   | 150 |                        | 135 | 113  | 110   | 105   | 101  | 95    | 90    | 85   | 75    |
| IX10280/04DR20 | 110   | 150 |                        | 145 | 115  | 111   | 105   | 99   | 91    | 85    | 78   | 65    |
| IX10280/04DR10 | 129   | 175 |                        | 163 | 134  | 130   | 123   | 118  | 110   | 103   | 96   | 83    |
| IX10280/04     | 129   | 175 |                        | 180 | 150  | 146   | 140   | 134  | 126   | 120   | 113  | 100   |
| IX10280/05DR20 | 129   | 175 |                        | 181 | 144  | 139   | 131   | 124  | 114   | 106   | 97   | 81    |
| IX10280/05DR10 | 147   | 200 |                        | 204 | 167  | 162   | 154   | 147  | 137   | 129   | 120  | 104   |
| IX10280/05     | 165   | 225 |                        | 225 | 188  | 183   | 175   | 168  | 158   | 150   | 141  | 125   |
| IX10280/06DR20 | 147   | 200 |                        | 217 | 173  | 167   | 157   | 149  | 137   | 127   | 116  | 97    |
| IX10280/06DR10 | 185   | 250 |                        | 245 | 200  | 194   | 185   | 176  | 164   | 155   | 144  | 125   |
| IX10280/06     | 220   | 300 |                        | 270 | 226  | 220   | 210   | 202  | 190   | 180   | 169  | 150   |
| IX10280/07DR20 | 185   | 250 |                        | 253 | 202  | 195   | 183   | 174  | 160   | 148   | 136  | 113   |
| IX10280/07DR10 | 220   | 300 |                        | 286 | 234  | 227   | 216   | 206  | 192   | 181   | 168  | 146   |
| IX10280/07     | 250   | 340 | 315                    | 263 | 256  | 245   | 235   | 221  | 210   | 197   | 175  |       |

### 3. MEDIDAS MEASURES MESURES



| Tipo / Type    | A mm<br>Tri V 400 | B mm | C mm Tri | M Kg Tri | P Kg |
|----------------|-------------------|------|----------|----------|------|
| IX10280/01DR20 | 1806              | 625  | 1181     | 100      | 41   |
| IX10280/01DR10 | 1876              | 625  | 1251     | 108      | 41   |
| IX10280/01     | 1748              | 625  | 1123     | 178      | 41   |
| IX10280/02DR20 | 2038              | 805  | 1233     | 200      | 56   |
| IX10280/02DR10 | 2108              | 805  | 1303     | 214      | 56   |
| IX10280/02     | 2108              | 805  | 1303     | 214      | 56   |
| IX10280/03DR20 | 2368              | 985  | 1383     | 230      | 72   |
| IX10280/03DR10 | 2568              | 985  | 1583     | 270      | 72   |
| IX10280/03     | 2718              | 985  | 1733     | 300      | 72   |
| IX10280/04DR20 | 2898              | 1165 | 1733     | 300      | 87   |
| IX10280/04DR10 | 2799              | 1165 | 1634     | 385      | 87   |
| IX10280/04     | 2799              | 1165 | 1634     | 385      | 87   |
| IX10280/05DR20 | 2979              | 1345 | 1634     | 385      | 103  |
| IX10280/05DR10 | 3079              | 1345 | 1734     | 415      | 103  |
| IX10280/05     | 3199              | 1345 | 1854     | 444      | 103  |
| IX10280/06DR20 | 3259              | 1525 | 1734     | 415      | 118  |
| IX10280/06DR10 | 3509              | 1525 | 1984     | 480      | 118  |
| IX10280/06     | 0                 | 1525 | 0        | 0        | 118  |
| IX10280/07DR20 | 0                 | 1705 | 0        | 0        | 134  |
| IX10280/07DR10 | 0                 | 1705 | 0        | 0        | 134  |
| IX10280/07     | 0                 | 1705 | 0        | 0        | 134  |



PARA TUBO COMERCIAL  
FOR COMMERCIAL TUBE  
DIÁMETRO EXTERIOR: 168,3 mm  
EXTERNAL DIAMETER: 168,3 mm

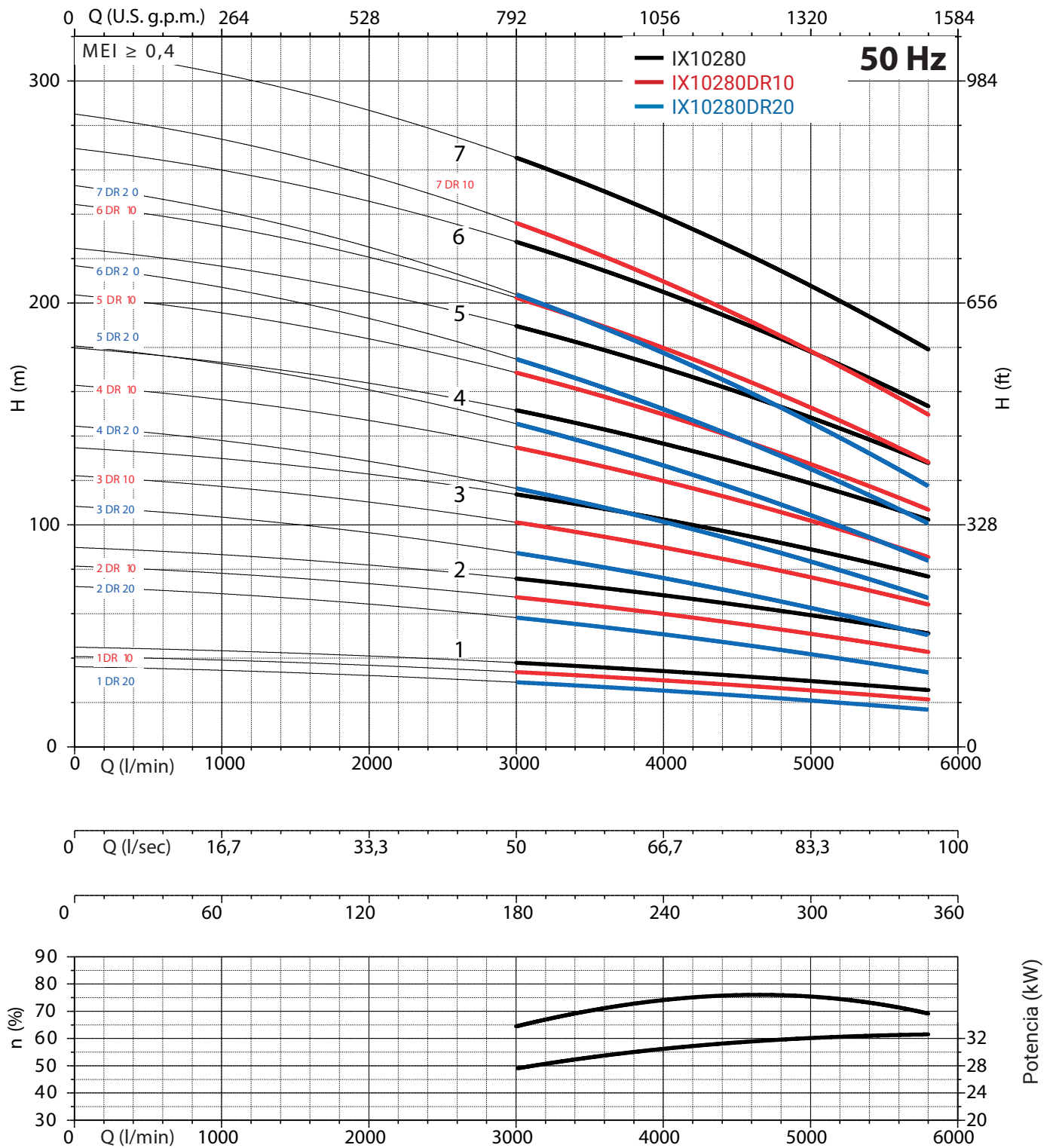
n% = Rendimiento de la bomba  
n% = Pump efficiency

|       | DR10  | DR20  |
|-------|-------|-------|
| Max   | Max   | Max   |
| 76,5% | 77,2% | 76,1% |

kW/st = Potencia absorbida por etapa  
kW/st = Stage absorption

|     | DR10 | DR20 |
|-----|------|------|
| Max | Max  | Max  |
| 33  | 29   | 25   |





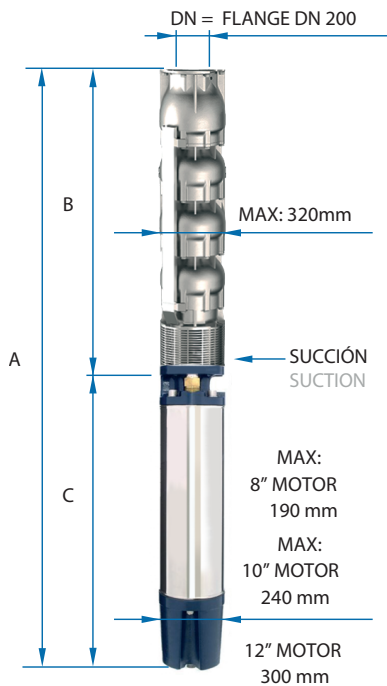
| NPSH (m) | 25% | 50% | 75% | 100% |
|----------|-----|-----|-----|------|
| IX10280  | 3,4 | 5   | 7,8 | 11,8 |

## SERIE IX12370 | 01-02

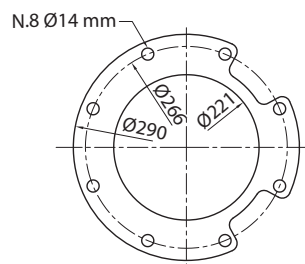
### 2. CURVAS CURVES COURBES

| Tipo<br>Type   | Power |     | l/min<br>l/sec<br>m³/h | 0   | 3000 | 3500  | 4000  | 4500 | 5000  | 5500  | 6000 | 6500   | 7000   |  |
|----------------|-------|-----|------------------------|-----|------|-------|-------|------|-------|-------|------|--------|--------|--|
|                | kW    | HP  |                        | 0   | 50   | 58,33 | 66,67 | 75   | 83,33 | 91,67 | 100  | 108,33 | 116,67 |  |
|                |       |     |                        | 0   | 180  | 210   | 240   | 270  | 300   | 330   | 360  | 390    | 420    |  |
| IX12370/01DR35 | 37    | 50  | H(m)                   | 41  | 38   | 37    | 37    | 35   | 33    | 32    | 29   |        |        |  |
| IX12370/01DR26 | 44    | 60  |                        | 46  | 45   | 44    | 43    | 42   | 39    | 38    | 36   | 34     |        |  |
| IX12370/01DR20 | 55    | 75  |                        | 49  | 48   | 47    | 47    | 45   | 44    | 42    | 40   | 38     | 34     |  |
| IX12370/01DR10 | 55    | 75  |                        | 55  | 52   | 52    | 51    | 50   | 48    | 47    | 44   | 42     | 40     |  |
| IX12370/01     | 66    | 90  |                        | 62  | 56   | 55    | 55    | 53   | 52    | 52    | 50   | 47     | 42     |  |
| IX12370/02DR35 | 75    | 100 |                        | 82  | 76   | 74    | 73    | 70   | 66    | 63    | 57   |        |        |  |
| IX12370/02DR26 | 92    | 125 |                        | 92  | 89   | 88    | 86    | 84   | 78    | 75    | 72   | 68     |        |  |
| IX12370/02DR20 | 110   | 150 |                        | 98  | 95   | 94    | 93    | 90   | 87    | 84    | 80   | 75     | 68     |  |
| IX12370/02DR10 | 110   | 150 |                        | 110 | 104  | 103   | 101   | 99   | 96    | 93    | 88   | 84     | 80     |  |
| IX12370/02     | 129   | 175 |                        | 124 | 112  | 110   | 109   | 106  | 104   | 103   | 100  | 93     | 84     |  |

### 3. MEDIDAS MEASURES MESURES

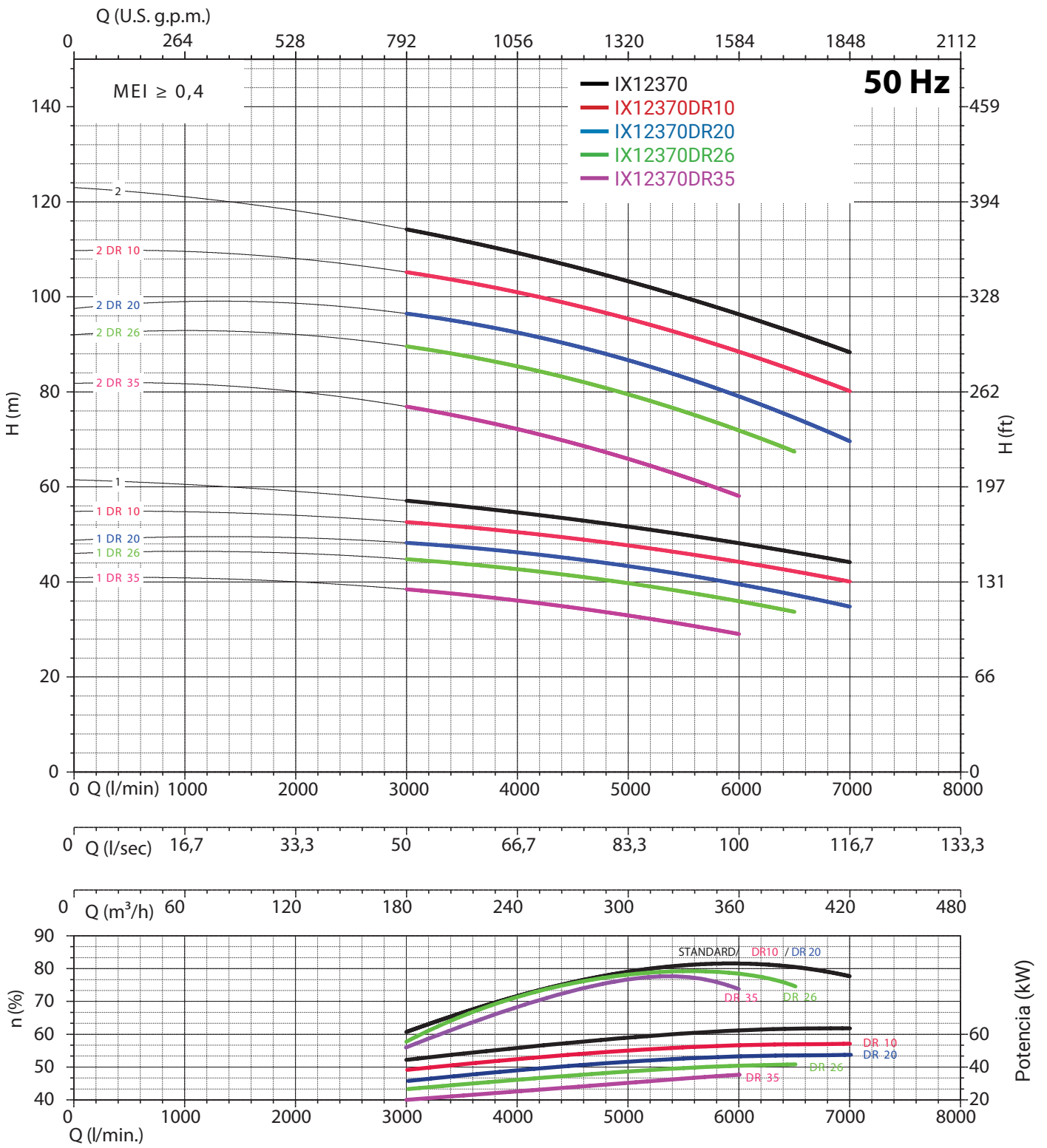


| Tipo / Type    | A mm<br>Tri V 400 | B mm | C mm Tri | M Kg Tri | P Kg |
|----------------|-------------------|------|----------|----------|------|
| IX12370/01DR35 | 1813              | 770  | 1043     | 160      | 79   |
| IX12370/01DR26 | 1893              | 770  | 1123     | 178      | 79   |
| IX12370/01DR20 | 2003              | 770  | 1233     | 200      | 79   |
| IX12370/01DR10 | 2003              | 770  | 1233     | 200      | 79   |
| IX12370/01     | 2073              | 770  | 1303     | 214      | 79   |
| IX12370/02DR35 | 2383              | 1000 | 1383     | 230      | 104  |
| IX12370/02DR26 | 2583              | 1000 | 1583     | 270      | 104  |
| IX12370/02DR20 | 2733              | 1000 | 1733     | 300      | 104  |
| IX12370/02DR10 | 2504              | 1000 | 1504     | 350      | 104  |
| IX12370/02     | 2634              | 1000 | 1634     | 385      | 104  |



PARA TUBO COMERCIAL  
FOR COMMERCIAL TUBE  
DIÁMETRO EXTERIOR: 219,1 mm  
EXTERNAL DIAMETER: 219,1 mm

|  | DR10        | DR20         | DR26        | DR35         |
|--|-------------|--------------|-------------|--------------|
| n% = Rendimiento de la bomba<br>n% = Pump efficiency             | Max<br>81%  | Max<br>80,5% | Max<br>80%  | Max<br>78,5% |
| kW/st = Potencia absorbida por etapa<br>kW/st = Stage absorption | Max<br>64,2 | Max<br>55,2  | Max<br>49,5 | Max<br>44,1  |



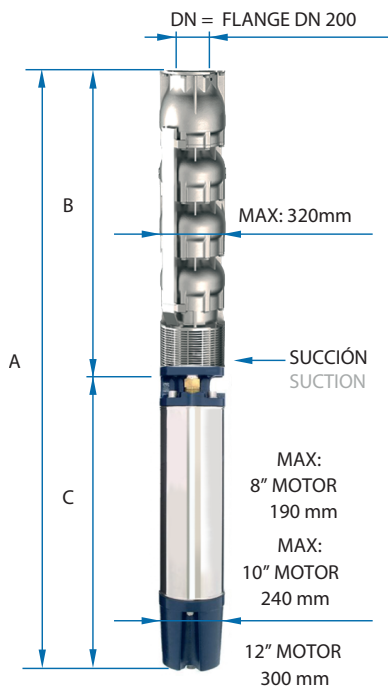
| NPSH (m) | 25% | 50% | 75% | 100% |
|----------|-----|-----|-----|------|
| IX12370  | 3,4 | 5   | 7,8 | 11,8 |

## SERIE IX12370 | 03-05

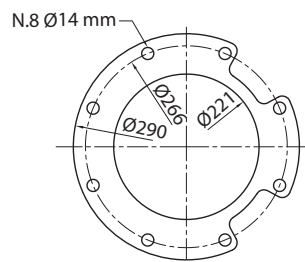
### 2. CURVAS CURVES COURBES

| Tipo<br>Type   | Power |     | l/min<br>l/sec<br>m³/h | 0   | 3000 | 3500  | 4000  | 4500 | 5000  | 5500  | 6000 | 6500   | 7000   |  |
|----------------|-------|-----|------------------------|-----|------|-------|-------|------|-------|-------|------|--------|--------|--|
|                | kW    | HP  |                        | 0   | 50   | 58,33 | 66,67 | 75   | 83,33 | 91,67 | 100  | 108,33 | 116,67 |  |
| IX12370/03DR35 | 110   | 150 | H(m)                   | 123 | 114  | 111   | 110   | 105  | 99    | 95    | 86   |        |        |  |
| IX12370/03DR26 | 129   | 175 |                        | 138 | 134  | 132   | 129   | 126  | 117   | 113   | 108  | 102    |        |  |
| IX12370/03DR20 | 147   | 200 |                        | 147 | 143  | 141   | 140   | 135  | 131   | 126   | 120  | 113    | 102    |  |
| IX12370/03DR10 | 165   | 225 |                        | 165 | 156  | 155   | 152   | 149  | 144   | 140   | 132  | 126    | 120    |  |
| IX12370/03     | 220   | 300 |                        | 186 | 168  | 165   | 164   | 159  | 156   | 155   | 150  | 140    | 126    |  |
| IX12370/04DR35 | 147   | 200 |                        | 164 | 152  | 148   | 146   | 140  | 132   | 126   | 114  |        |        |  |
| IX12370/04DR26 | 185   | 250 |                        | 184 | 178  | 176   | 172   | 168  | 156   | 150   | 144  | 136    |        |  |
| IX12370/04DR20 | 220   | 300 |                        | 196 | 190  | 188   | 186   | 180  | 174   | 168   | 160  | 150    | 136    |  |
| IX12370/04DR10 | 220   | 300 |                        | 220 | 208  | 206   | 202   | 198  | 192   | 186   | 176  | 168    | 160    |  |
| IX12370/04     | 250   | 340 |                        | 248 | 224  | 220   | 218   | 212  | 208   | 206   | 200  | 186    | 168    |  |
| IX12370/05DR35 | 185   | 250 |                        | 205 | 190  | 185   | 183   | 175  | 165   | 158   | 143  |        |        |  |
| IX12370/05DR26 | 220   | 300 |                        | 230 | 223  | 220   | 215   | 210  | 195   | 188   | 180  | 170    |        |  |
| IX12370/05DR20 | 250   | 340 |                        | 245 | 238  | 235   | 233   | 225  | 218   | 210   | 200  | 188    | 170    |  |
| IX12370/05DR10 | 300   | 408 |                        | 275 | 260  | 258   | 253   | 248  | 240   | 233   | 220  | 210    | 200    |  |
| IX12370/05     | 350   | 475 |                        | 310 | 280  | 275   | 273   | 265  | 260   | 258   | 250  | 233    | 210    |  |

### 3. MEDIDAS MEASURES MESURES

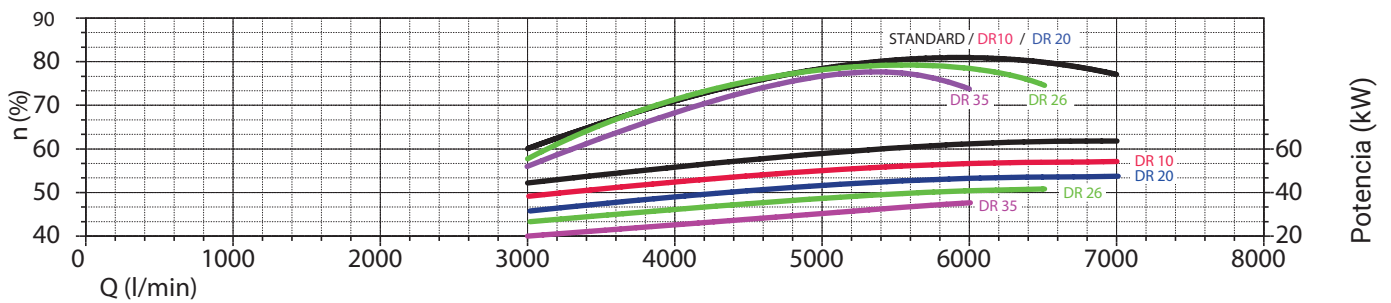
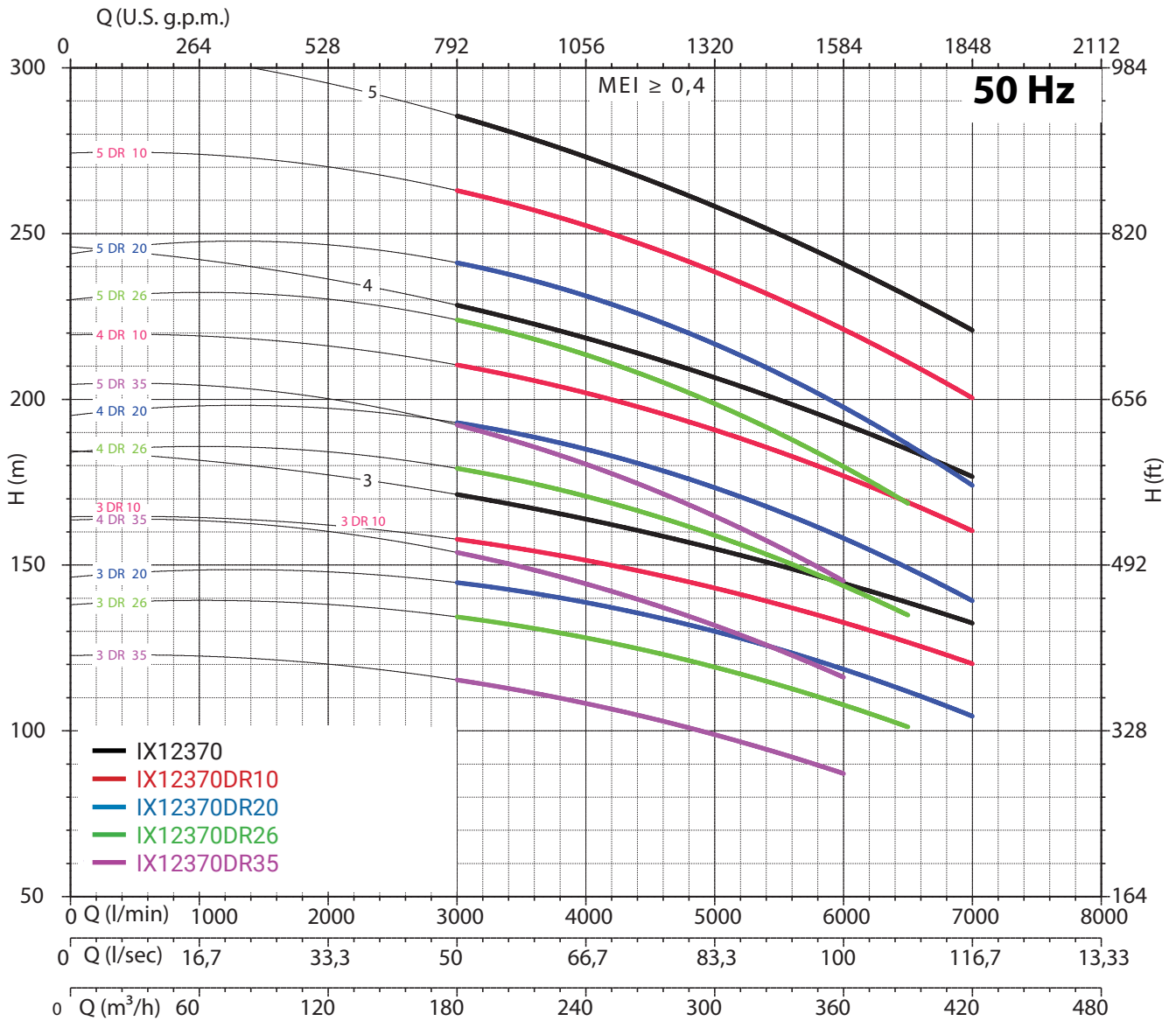


| Tipo / Type    | A mm<br>Tri V 400 | B mm | C mm Tri | M Kg Tri | P Kg |
|----------------|-------------------|------|----------|----------|------|
| IX12370/03DR35 | 2963              | 1230 | 1733     | 300      | 129  |
| IX12370/03DR26 | 2864              | 1230 | 1634     | 385      | 129  |
| IX12370/03DR20 | 2964              | 1230 | 1734     | 415      | 129  |
| IX12370/03DR10 | 3084              | 1230 | 1854     | 444      | 129  |
| IX12370/03     | 3123              | 1230 | 1893     | 663      | 129  |
| IX12370/04DR35 | 3194              | 1460 | 1734     | 415      | 154  |
| IX12370/04DR26 | 3444              | 1460 | 1984     | 480      | 154  |
| IX12370/04DR20 | 0                 | 1460 | 0        | 0        | 154  |
| IX12370/04DR10 | 0                 | 1460 | 0        | 0        | 154  |
| IX12370/04     | 0                 | 1460 | 0        | 0        | 154  |
| IX12370/05DR35 | 3674              | 1690 | 1984     | 480      | 179  |
| IX12370/05DR26 | 0                 | 1690 | 0        | 0        | 179  |
| IX12370/05DR20 | 0                 | 1690 | 0        | 0        | 179  |
| IX12370/05DR10 | 0                 | 1690 | 0        | 0        | 179  |
| IX12370/05     | 0                 | 1690 | 0        | 0        | 179  |



PARA TUBO COMERCIAL  
FOR COMMERCIAL TUBE  
DIÁMETRO EXTERIOR: 219,1 mm  
EXTERNAL DIAMETER: 219,1 mm

|  | DR10     | DR20      | DR26     | DR35      |
|--|----------|-----------|----------|-----------|
| n% = Rendimiento de la bomba<br>n% = Pump efficiency             | Max 81%  | Max 80,5% | Max 80%  | Max 78,5% |
| kW/st = Potencia absorbida por etapa<br>kW/st = Stage absorption | Max 64,2 | Max 55,2  | Max 49,5 | Max 44,1  |



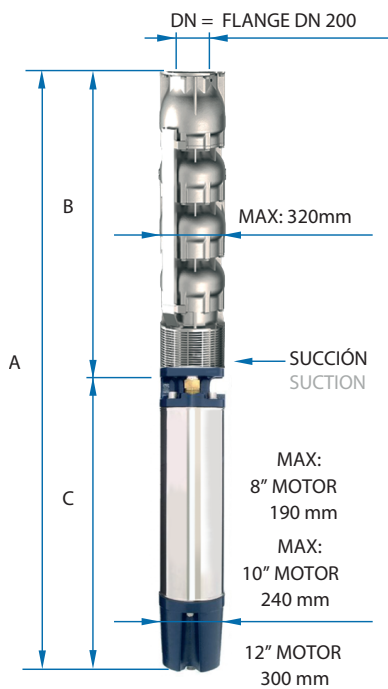
| NPSH (m) | 25% | 50% | 75% | 100% |
|----------|-----|-----|-----|------|
| IX12370  | 3,4 | 5   | 7,8 | 11,8 |

## SERIE IX12440 | 01-02

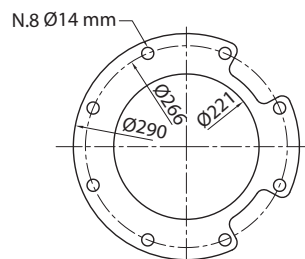
### 2. CURVAS CURVES COURBES

| Tipo<br>Type   | Power |     | l/min<br>l/sec<br>m³/h | 0   | 4000  | 4500 | 5000  | 5500  | 6000 | 6500   | 7000   | 7500 | 8000   | 8500   | 9000 |  |
|----------------|-------|-----|------------------------|-----|-------|------|-------|-------|------|--------|--------|------|--------|--------|------|--|
|                | kW    | HP  |                        | 0   | 66,67 | 75   | 83,33 | 91,67 | 100  | 108,33 | 116,67 | 25   | 133,33 | 141,67 | 150  |  |
| IX12440/01DR30 | 37    | 50  | H(m)                   | 43  | 39    | 38   | 36    | 34    | 32   | 30     | 27     | 24   |        |        |      |  |
| IX12440/01DR20 | 44    | 60  |                        | 47  | 44    | 43   | 41    | 39    | 37   | 35     | 33     | 30   | 26     | 22     |      |  |
| IX12440/01DR10 | 55    | 75  |                        | 53  | 50    | 48   | 46    | 44    | 42   | 40     | 38     | 36   | 32     | 28     |      |  |
| IX12440/01     | 66    | 90  |                        | 58  | 54    | 52   | 50    | 48    | 46   | 44     | 42     | 40   | 37     | 31     | 27   |  |
| IX12440/01A    | 66    | 90  |                        | 61  | 57    | 54   | 53    | 52    | 50   | 48     | 46     | 44   | 41     | 39     | 32   |  |
| IX12440/02DR30 | 75    | 100 |                        | 86  | 78    | 76   | 72    | 68    | 64   | 60     | 54     | 48   |        |        |      |  |
| IX12440/02DR20 | 92    | 125 |                        | 94  | 88    | 86   | 82    | 77    | 73   | 69     | 65     | 59   | 52     | 44     |      |  |
| IX12440/02DR10 | 110   | 150 |                        | 106 | 100   | 96   | 92    | 88    | 84   | 80     | 76     | 71   | 64     | 56     |      |  |
| IX12440/02     | 129   | 175 |                        | 116 | 108   | 104  | 100   | 96    | 92   | 88     | 84     | 80   | 73     | 62     | 54   |  |
| IX12440/02A    | 147   | 200 |                        | 122 | 114   | 108  | 106   | 104   | 100  | 96     | 92     | 89   | 82     | 78     | 64   |  |

### 3. MEDIDAS MEASURES MESURES



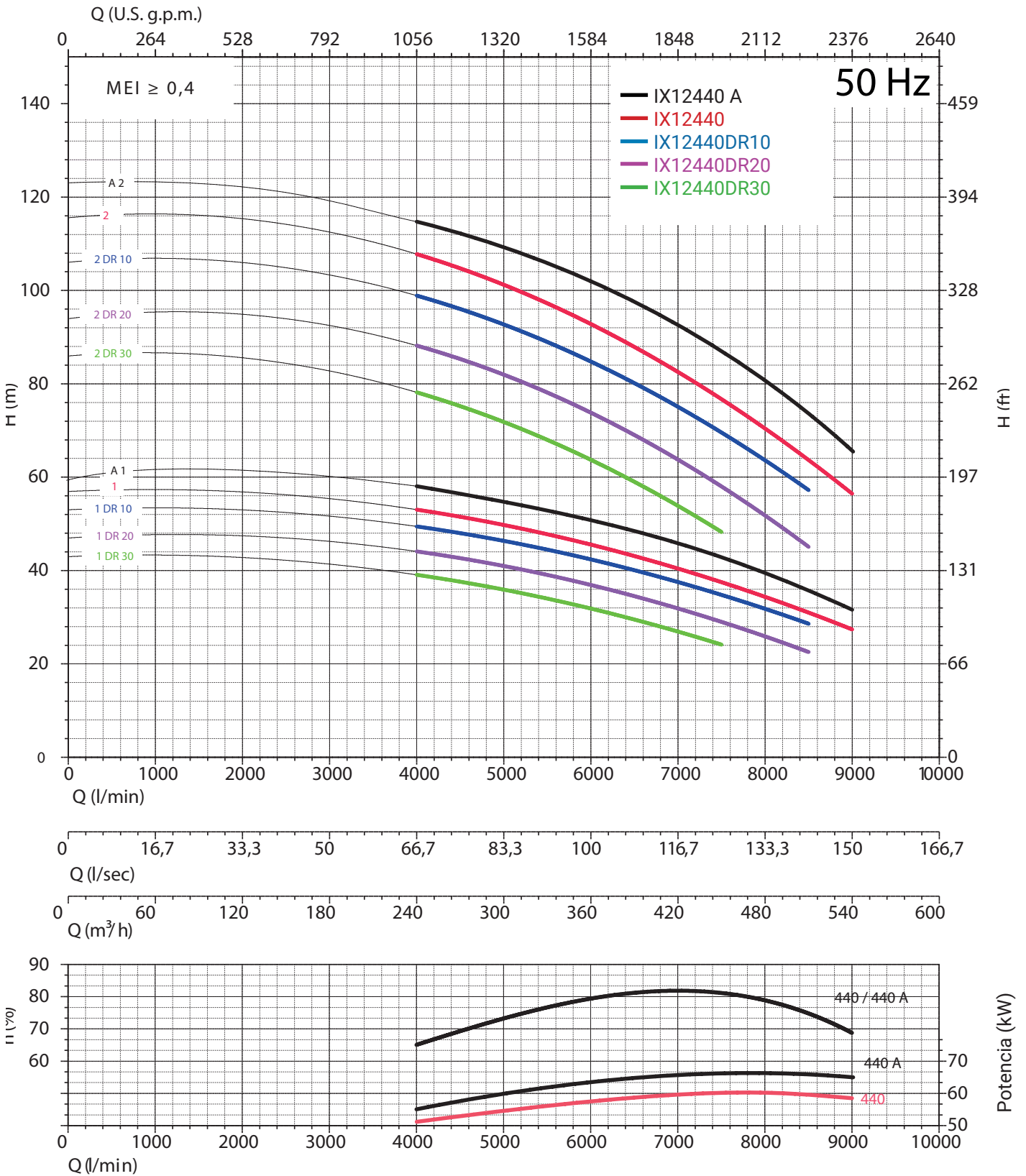
| Tipo / Type    | A mm<br>Tri V 400 | B mm | C mm Tri | M Kg Tri | P Kg |
|----------------|-------------------|------|----------|----------|------|
| IX12440/01DR30 | 1813              | 770  | 1043     | 160      | 79   |
| IX12440/01DR20 | 1893              | 770  | 1123     | 178      | 79   |
| IX12440/01DR10 | 2003              | 770  | 1233     | 200      | 79   |
| IX12440/01     | 2073              | 770  | 1303     | 214      | 79   |
| IX12440/01A    | 2073              | 770  | 1303     | 214      | 79   |
| IX12440/02DR30 | 2383              | 1000 | 1383     | 230      | 104  |
| IX12440/02DR20 | 2583              | 1000 | 1583     | 270      | 104  |
| IX12440/02DR10 | 2733              | 1000 | 1733     | 300      | 104  |
| IX12440/02     | 2634              | 1000 | 1634     | 385      | 104  |
| IX12440/02A    | 2734              | 1000 | 1734     | 415      | 104  |



PARA TUBO COMERCIAL  
FOR COMMERCIAL TUBE  
DIÁMETRO EXTERIOR: 219,1 mm  
EXTERNAL DIAMETER: 219,1 mm

|  | A            | DR10         | DR20         | DR30         |
|--|--------------|--------------|--------------|--------------|
| n% = Rendimiento de la bomba<br>n% = Pump efficiency             | Max<br>81,6% | Max<br>82,5% | Max<br>82,7% | Max<br>81,8% |
| kW/st = Potencia absorbida por etapa<br>kW/st = Stage absorption | Max<br>60,4  | Max<br>67    | Max<br>53    | Max<br>45,6  |





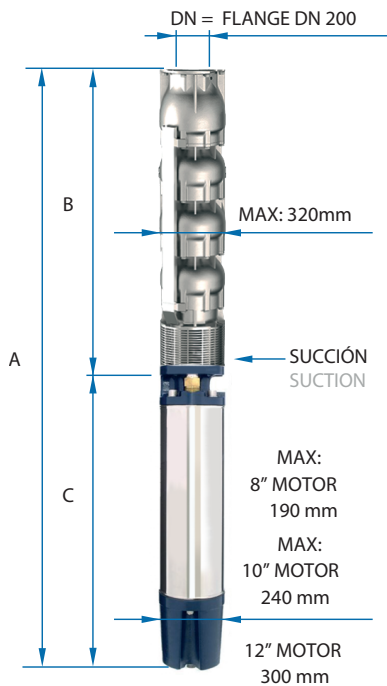
| NPSH (m) | 25% | 50% | 75% | 100% |
|----------|-----|-----|-----|------|
| IX12440  | 3,4 | 5   | 7,8 | 11,8 |

## SERIE IX12440 | 03-05

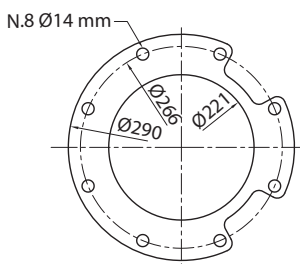
### 2. CURVAS CURVES COURBES

| Tipo<br>Type   | Power |     | l/min<br>l/sec<br>m³/h | 0   | 4000  | 4500 | 5000  | 5500  | 6000 | 6500   | 7000   | 7500 | 8000   | 8500   | 9000 |  |
|----------------|-------|-----|------------------------|-----|-------|------|-------|-------|------|--------|--------|------|--------|--------|------|--|
|                | kW    | HP  |                        | 0   | 66,67 | 75   | 83,33 | 91,67 | 100  | 108,33 | 116,67 | 25   | 133,33 | 141,67 | 150  |  |
|                |       |     |                        | 0   | 240   | 270  | 300   | 330   | 360  | 390    | 420    | 450  | 480    | 510    | 540  |  |
| IX12440/03DR30 | 129   | 175 | H(m)                   | 129 | 117   | 113  | 108   | 102   | 96   | 89     | 81     | 72   |        |        |      |  |
| IX12440/03DR20 | 147   | 200 |                        | 141 | 132   | 129  | 123   | 116   | 110  | 104    | 98     | 89   | 78     | 66     |      |  |
| IX12440/03DR10 | 165   | 225 |                        | 159 | 150   | 144  | 138   | 132   | 126  | 120    | 114    | 107  | 96     | 84     |      |  |
| IX12440/03     | 185   | 250 |                        | 174 | 162   | 156  | 150   | 144   | 138  | 132    | 126    | 120  | 110    | 93     | 81   |  |
| IX12440/03A    | 220   | 300 |                        | 183 | 171   | 162  | 159   | 156   | 150  | 144    | 138    | 134  | 123    | 117    | 96   |  |
| IX12440/04DR30 | 165   | 225 |                        | 172 | 156   | 150  | 144   | 136   | 128  | 118    | 108    | 96   |        |        |      |  |
| IX12440/04DR20 | 185   | 250 |                        | 188 | 176   | 172  | 164   | 154   | 146  | 138    | 130    | 118  | 104    | 88     |      |  |
| IX12440/04DR10 | 220   | 300 |                        | 212 | 200   | 192  | 184   | 176   | 168  | 160    | 152    | 142  | 128    | 112    |      |  |
| IX12440/04     | 250   | 340 |                        | 232 | 216   | 208  | 200   | 192   | 184  | 176    | 168    | 160  | 146    | 124    | 108  |  |
| IX12440/04A    | 300   | 408 |                        | 244 | 228   | 216  | 212   | 208   | 200  | 192    | 184    | 178  | 164    | 156    | 128  |  |
| IX12440/05DR30 | 220   | 300 |                        | 215 | 195   | 188  | 180   | 170   | 160  | 148    | 135    | 120  |        |        |      |  |
| IX12440/05DR20 | 250   | 340 |                        | 235 | 220   | 215  | 205   | 193   | 183  | 173    | 163    | 148  | 130    | 110    |      |  |
| IX12440/05DR10 | 300   | 408 |                        | 265 | 250   | 240  | 230   | 220   | 210  | 200    | 190    | 178  | 160    | 140    |      |  |
| IX12440/05     | 300   | 408 |                        | 290 | 270   | 260  | 250   | 240   | 230  | 220    | 210    | 200  | 183    | 155    | 135  |  |
| IX12440/05A    | 350   | 475 |                        | 305 | 285   | 270  | 265   | 260   | 250  | 240    | 230    | 223  | 205    | 195    | 160  |  |

### 3. MEDIDAS MEASURES MESURES

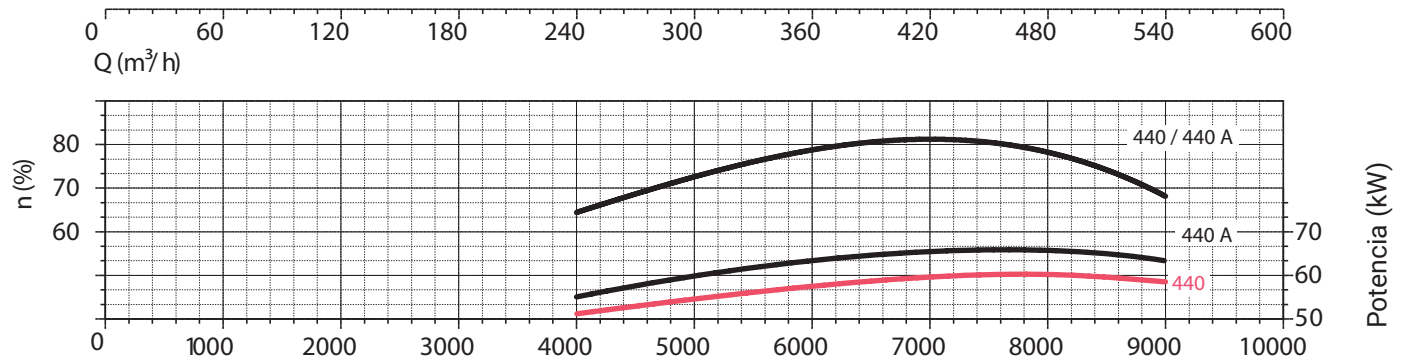
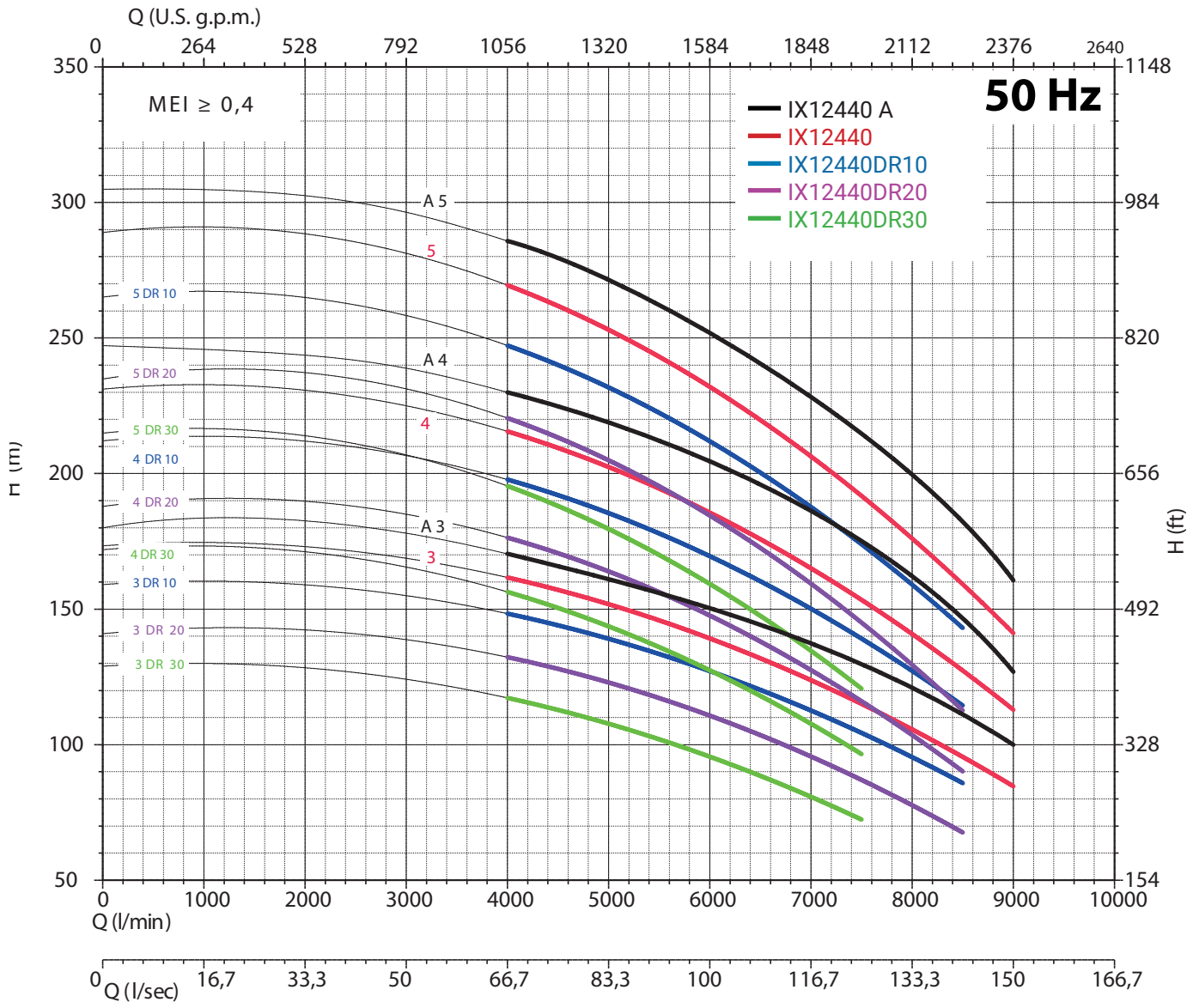


| Tipo / Type    | A mm<br>Tri V 400 | B mm | C mm Tri | M Kg Tri | P Kg |
|----------------|-------------------|------|----------|----------|------|
| IX12440/03DR30 | 2864              | 1230 | 1634     | 385      | 129  |
| IX12440/03DR20 | 2964              | 1230 | 1734     | 415      | 129  |
| IX12440/03DR10 | 3084              | 1230 | 1854     | 444      | 129  |
| IX12440/03     | 3214              | 1230 | 1984     | 480      | 129  |
| IX12440/03A    | 0                 | 1230 | 0        | 0        | 129  |
| IX12440/04DR30 | 3314              | 1460 | 1854     | 444      | 154  |
| IX12440/04DR20 | 3444              | 1460 | 1984     | 480      | 154  |
| IX12440/04DR10 | 0                 | 1460 | 0        | 0        | 154  |
| IX12440/04     | 0                 | 1460 | 0        | 0        | 154  |
| IX12440/04A    | 0                 | 1460 | 0        | 0        | 154  |
| IX12440/05DR30 | 0                 | 1690 | 0        | 0        | 179  |
| IX12440/05DR20 | 0                 | 1690 | 0        | 0        | 179  |
| IX12440/05DR10 | 0                 | 1690 | 0        | 0        | 179  |
| IX12440/05     | 0                 | 1690 | 0        | 0        | 179  |
| IX12440/05A    | 0                 | 1690 | 0        | 0        | 179  |



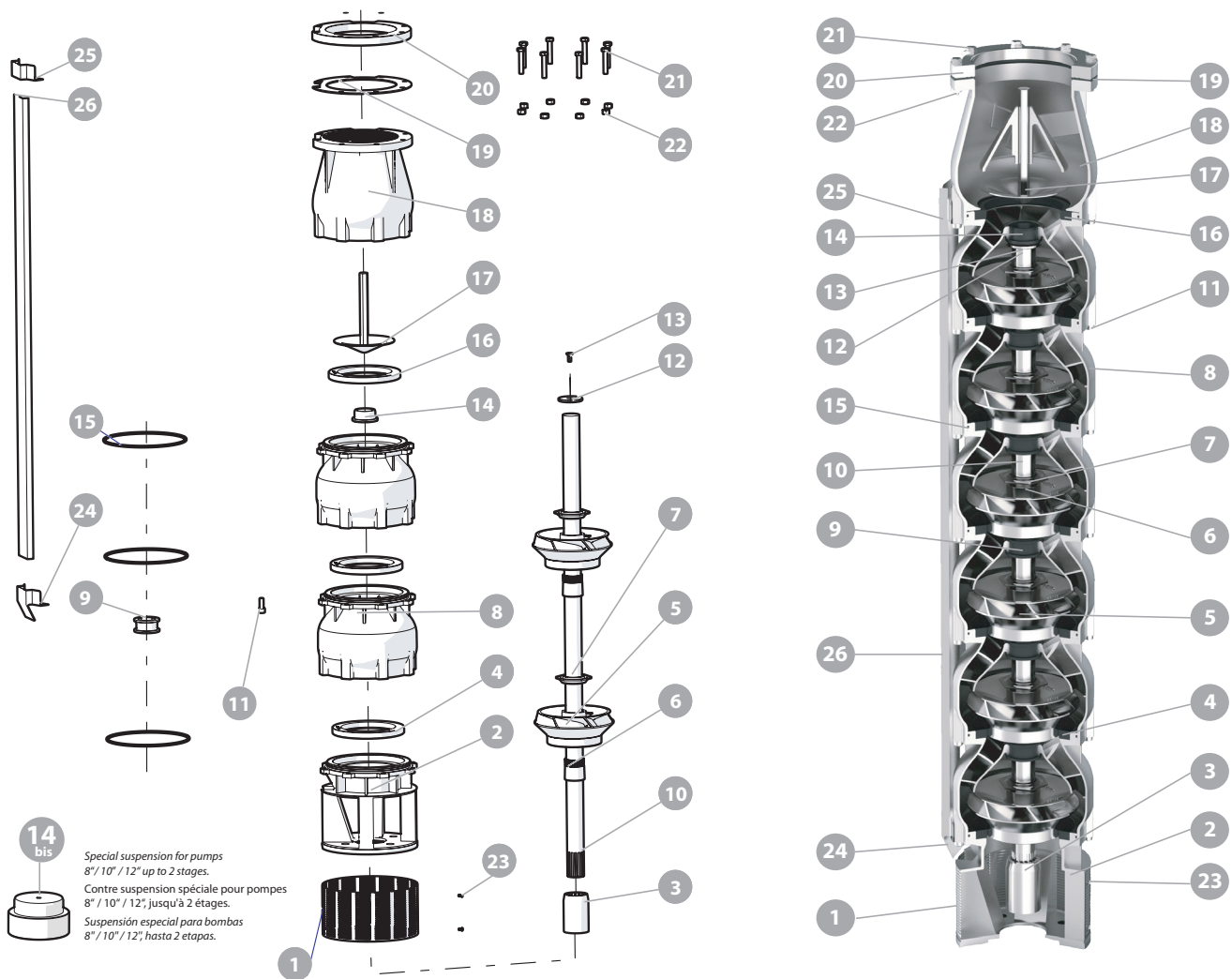
PARA TUBO COMERCIAL  
FOR COMMERCIAL TUBE  
DIÁMETRO EXTERIOR: 219,1 mm  
EXTERNAL DIAMETER: 219,1 mm

|  | A         | DR10      | DR20      | DR30      |
|--|-----------|-----------|-----------|-----------|
| n% = Rendimiento de la bomba<br>n% = Pump efficiency             | Max 81,6% | Max 82,5% | Max 82,7% | Max 81,8% |
| kW/st = Potencia absorbida por etapa<br>kW/st = Stage absorption | Max 60,4  | Max 67    | Max 53    | Max 45,6  |



| NPSH (m) | 25% | 50% | 75% | 100% |
|----------|-----|-----|-----|------|
| IX12440  | 3,4 | 5   | 7,8 | 11,8 |

## 4. DESPIECE

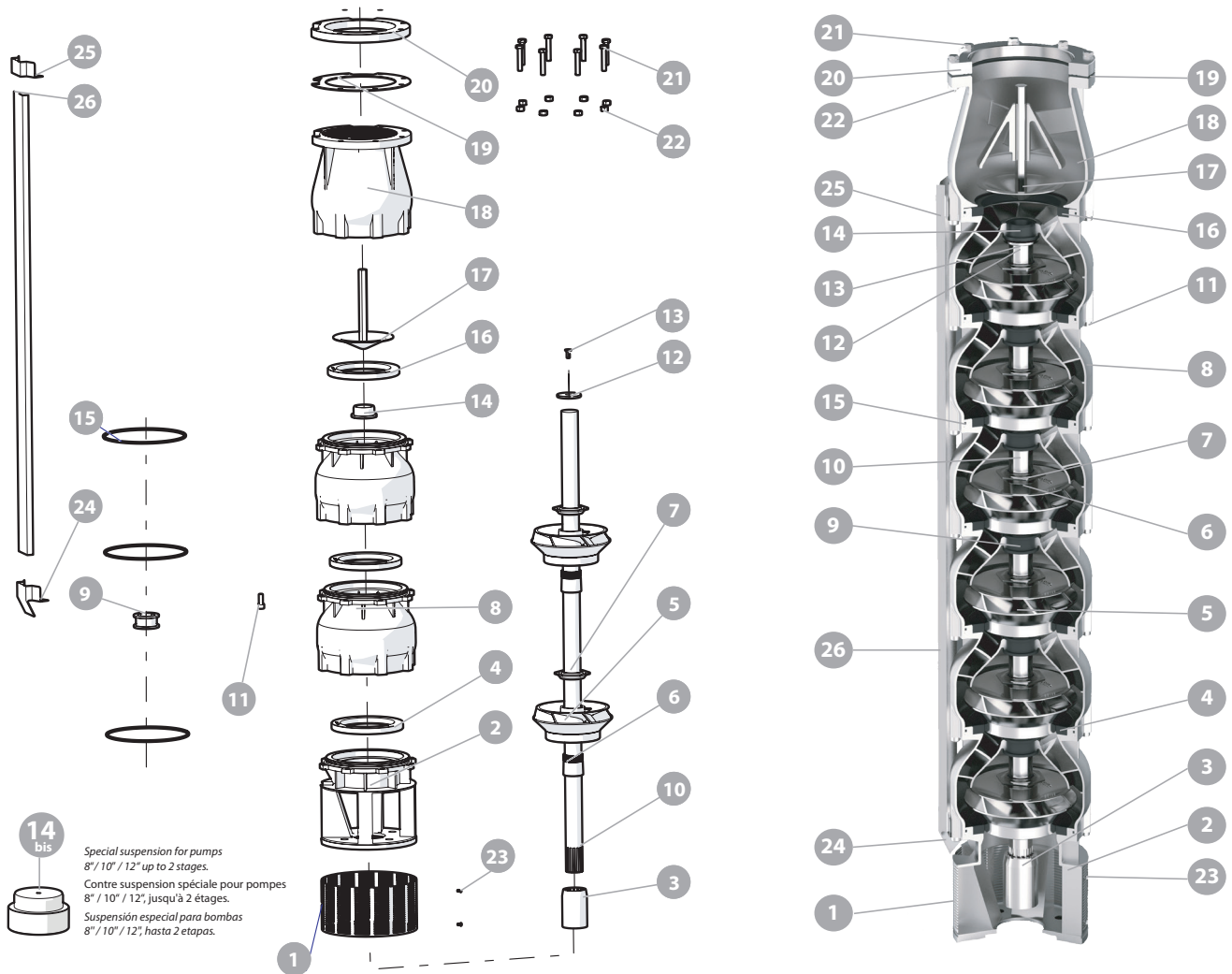


**14 bis**  
Special suspension for pumps  
8" / 10" / 12" up to 2 stages.  
Contre suspension spéciale pour pompes  
8" / 10" / 12"; jusqu'à 2 étages.  
Suspensión especial para bombas  
8" / 10" / 12"; hasta 2 etapas.

| Nº | DESCRIPCIÓN                  | MATERIAL                  |
|----|------------------------------|---------------------------|
| 1  | REJILLA                      | ACERO INOXIDABLE AISI 304 |
| 2  | CUERPO DE ASPIRACION         | ACERO INOXIDABLE AISI 304 |
| 3  | ACOPLAMIENTO                 | ACERO INOXIDABLE AISI 304 |
| 4  | ANILLO DE DESGASTE           | GOMA                      |
| 5  | IMPULSOR                     | ACERO INOXIDABLE AISI 304 |
| 6  | CONO                         | ACERO INOXIDABLE AISI 304 |
| 7  | ANILLO HEXAGONAL             | ACERO INOXIDABLE AISI 304 |
| 8  | DIFUSOR                      | ACERO INOXIDABLE AISI 304 |
| 9  | COJINETE                     | GOMA                      |
| 10 | EJE DE BOMBA                 | ACERO INOXIDABLE AISI 304 |
| 11 | N. 8 TORNILLOS DIFUSOR       | ACERO INOXIDABLE AISI 304 |
| 12 | ANILLO EN ACERO              | ACERO INOXIDABLE AISI 304 |
| 13 | TORNILLO POR ANILLO EN ACERO | ACERO INOXIDABLE AISI 304 |
| 14 | CONTRA-SUSPENSION            | PTFE + 25% GRAPHITE       |
| 15 | ANILLO TORICO                | GOMA                      |
| 16 | JUNTA DE VALVULA             | GOMA                      |
| 17 | VALVULA                      | ACERO INOXIDABLE AISI 304 |
| 18 | CUERPO DE IMPULSION          | ACERO INOXIDABLE AISI 304 |
| 19 | JUNTA CONTRE-BRIDA           | GOMA                      |
| 20 | CONTRE-BRIDA                 | ACERO INOXIDABLE AISI 304 |
| 21 | N. 8 TORNILLOS CONTRE-BRIDA  | ACERO INOXIDABLE AISI 304 |
| 22 | N. 8 TUERCAS CONTRE-BRIDA    | ACERO INOXIDABLE AISI 304 |
| 23 | N. 2 TORNILLOS REJILLA       | ACERO INOXIDABLE AISI 304 |
| 24 | GRAPA INFERIOR               | ACERO INOXIDABLE AISI 304 |
| 25 | GRAPA SUPERIOR               | ACERO INOXIDABLE AISI 304 |
| 26 | PARACABLE                    | ACERO INOXIDABLE AISI 304 |



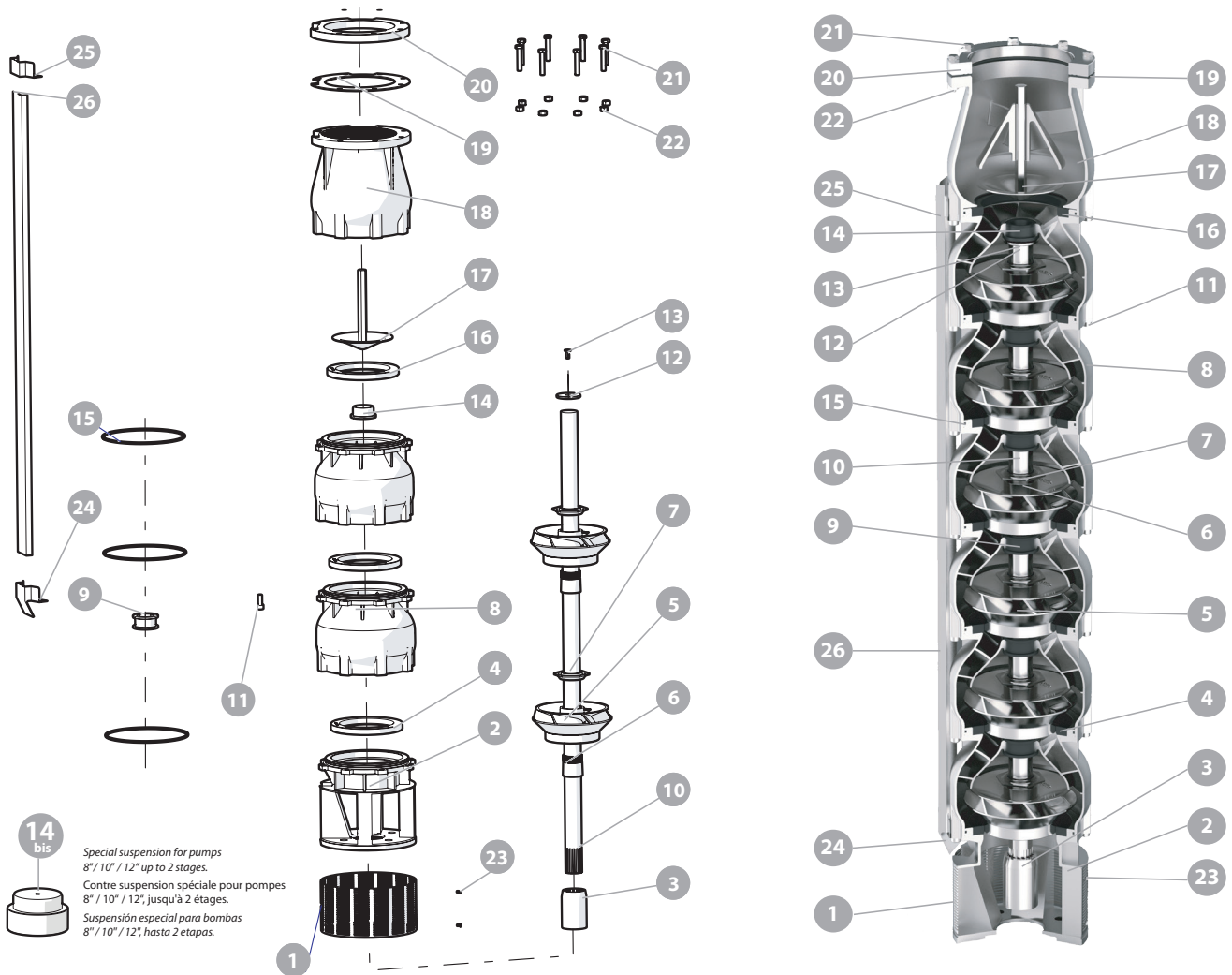
## 4. PARTS



| Nº | DESCRIPTION                      | MATERIAL         |
|----|----------------------------------|------------------|
| 1  | SUCTION STRAINER                 | AISI 304         |
| 2  | SUCTION CAGE                     | AISI 304         |
| 3  | JOINT                            | AISI 304         |
| 4  | USURY RING                       | NBR              |
| 5  | IMPELLER                         | AISI 304         |
| 6  | CONE                             | AISI 304         |
| 7  | HEXAGONAL RING                   | AISI 304         |
| 8  | DIFFUSEUR                        | AISI 304         |
| 9  | BEARING BUSH                     | NBR              |
| 10 | PUMP SHAFT                       | AISI 304         |
| 11 | N. 8 SCREWS FOR DIFFUSEUR        | AISI 304         |
| 12 | RING                             | AISI 304         |
| 13 | SCREW FOR DISK                   | AISI 304         |
| 14 | COUNTERTHRUST                    | PTFE + 25 CARBON |
| 15 | O-RING                           | NBR              |
| 16 | GASKET VALVE                     | NBR              |
| 17 | CAP VALVE                        | AISI 304         |
| 18 | BODY VALVE                       | AISI 304         |
| 19 | SEAL COUNTERFLANGE               | NBR              |
| 20 | COUNTERFLANGE                    | AISI 304         |
| 21 | N. 8 SCREWS FOR COUNTERFLANGE    | AISI 304         |
| 22 | N. 8 NUTS FOR COUNTERFLANGE      | AISI 304         |
| 23 | N. 2 SCREWS FOR SUCTION STRAINER | AISI 304         |
| 24 | LOWER FLANGE                     | AISI 304         |
| 25 | UPPER FLANGE                     | AISI 304         |
| 26 | COVER CABLE                      | AISI 304         |



## 4. PIÈCES



| N° | DESCRIPTION                  | MATÉRIEL                  |
|----|------------------------------|---------------------------|
| 1  | CREPINE                      | ACIER INOXYDABLE AISI 304 |
| 2  | CAGE D'ASPIRATION            | ACIER INOXYDABLE AISI 304 |
| 3  | JOINT                        | ACIER INOXYDABLE AISI 304 |
| 4  | BAGUE D'USURE                | CAOUTCHOUC                |
| 5  | ROUE                         | ACIER INOXYDABLE AISI 304 |
| 6  | CONE                         | ACIER INOXYDABLE AISI 304 |
| 7  | BAGUE                        | ACIER INOXYDABLE AISI 304 |
| 8  | DIFFUSEUR                    | ACIER INOXYDABLE AISI 304 |
| 9  | COUSSINET                    | CAOUTCHOUC                |
| 10 | ABRE POMPE                   | ACIER INOXYDABLE AISI 304 |
| 11 | N. 8 VIS POUR DIFFUSEUR      | ACIER INOXYDABLE AISI 304 |
| 12 | RING                         | ACIER INOXYDABLE AISI 304 |
| 13 | VIS RING                     | ACIER INOXYDABLE AISI 304 |
| 14 | CONTRESUSPENSION             | PTFE + 25% GRAPHITE       |
| 15 | O-RING                       | CAOUTCHOUC                |
| 16 | GASKET VALVE                 | CAOUTCHOUC                |
| 17 | PLAT                         | ACIER INOXYDABLE AISI 304 |
| 18 | CORPS DE VALVE               | ACIER INOXYDABLE AISI 304 |
| 19 | JOINT ETANCHEITE CONTREBRIDE | CAOUTCHOUC                |
| 20 | CONTREBRIDE                  | ACIER INOXYDABLE AISI 304 |
| 21 | N. 8 VIS POUR CONTREBRIDE    | ACIER INOXYDABLE AISI 304 |
| 22 | N. 8 ECROU POUR CONTREBRIDE  | ACIER INOXYDABLE AISI 304 |
| 23 | N.2 VIS POUR CREPINE         | ACIER INOXYDABLE AISI 304 |
| 24 | BRIDE INFERIEURE             | ACIER INOXYDABLE AISI 304 |
| 25 | BRIDE SUPERIEURE             | ACIER INOXYDABLE AISI 304 |
| 26 | PROTECTOR CABLE              | ACIER INOXYDABLE AISI 304 |



# *Proindecsa*

C/ Paraguay, parc. 13-5/6  
Polígono industrial Oeste  
30820 Alcantarilla, Murcia (Spain)

Tel. : +34 968 880 852  
proindecsa@proindecsa.com



entidad asociada a

**cepreven**



[www.proindecsa.com](http://www.proindecsa.com)

