

PYD
ELECTROBOMBAS

Serie
KBZ



**GAMA
NORMALIZADA**
SEWAGE PUMPS •
POMPES DE RELEVAGE

CATÁLOGO TÉCNICO

El cuerpo del motor y la bomba está hecho de hierro fundido rígido para mayor durabilidad. Profundidad máxima de inmersión aumentada debido al sello mecánico resistente a la alta presión.

Impulsor semiabierto fabricado en aleación de cromo alto partido con placa de desgaste (hierro dúctil) alcanza una durabilidad superior.

Refrigeración efectiva del motor debido a la colada del canal de descarga como parte de la carcasa del motor. Espacio económicamente por una salida superior.

Descarga de 50mm (2 ") a 150 (6"), motor de 1,5 kW (2HP) a 15kW (20HP).

Motor herméticamente sellado equipado con protección térmica para la potencia por debajo de 15kW.

Motor and pump body made of rigid cast iron for durability.

Increased maximum immersion depth due to high pressure resistant mechanical seal.

Semi-open impeller made of high split chrome alloy with wear plate (ductile iron) achieves superior durability.

Effective cooling of the motor due to casting of the discharge channel as part of the motor casing. Space saving due to superior outlet.

Discharge from 50mm (2") to 150 (6"), motor from 1.5 kW (2HP) to 15kW (20HP).

Hermetically sealed motor fitted with thermal protection for output below 15kW.

Moteur et corps de pompe en fonte rigide pour une plus grande durabilité.

Profondeur d'immersion maximale accrue grâce à une garniture mécanique résistant à la haute pression.

La roue semi-ouverte, fabriquée en alliage de chrome à haute teneur en fission avec plaque d'usure (fonte ductile), offre une durabilité supérieure.

Refroidissement efficace du moteur grâce au moulage du canal de décharge comme partie intégrante de l'enveloppe du moteur. Gain de place grâce à une sortie supérieure.

Décharge de 50mm (2") à 150 (6"), moteur de 1,5 kW (2HP) à 15kW (20HP).

Moteur hermétique équipé d'une protection thermique pour les puissances inférieures à 15kW.

ESPECIFICACIÓN

Capacidad: hasta 160m³/h
Altura: hasta 57 metros
Potencia: 1,5 kW (2HP) a 15 kW (20HP)
Fuente de alimentación:
trifásico 400V ±10%, 50 Hz
380V ±10%, 60 Hz

SPECIFICATION

Capacity: up to 160m³/h
Height: up to 57 meters
Power: 1.5 kW (2HP) to 15 kW (20HP)
Power supply:
three-phase 400V ±10%, 50 Hz
380V ±10%, 60 Hz

SPÉCIFICATION

Capacité : jusqu'à 160m³/h
Hauteur : jusqu'à 57 mètres
Puissance : 1,5 kW (2HP) à 15 kW (20HP)
Alimentation électrique :
triphase 400V ±10%, 50 Hz
380V ±10%, 60 Hz

RANGO DE TRABAJO

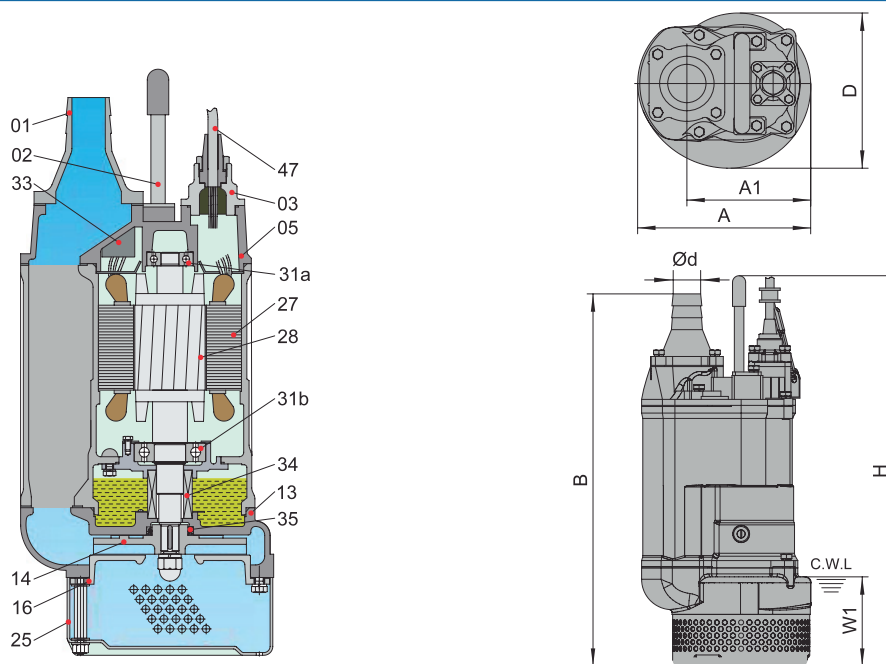
- Clase de aislamiento: F
- Clase de protección: IP68
- Longitud del cable: 8m
- Temperatura del agua: hasta 40°C
- Max. Profundidad del agua: 25m

WORK RANGE

- Insulation class: F
- Protection class: IP68
- Cable length: 8m
- Water temperature: up to 40°C
- Max. Water depth: 25m

GAMME DE TRAVAIL

- Classe d'isolation : F
- Classe de protection : IP68
- Longueur du câble : 8m
- Température de l'eau : jusqu'à 40°C
- Max. Profondeur de l'eau : 25m



Material de construcción

Nivel de agua corriente continuo

	Nombre de las piezas	Material		Nombre de las piezas	Material
01	Salida - Outlet	hierro fundido	28	Rotor	Eje: AISI 4220 SS
02	Handle	Caucho y acero	31a	Cojinete	Rodamiento de bolas
05	Tapa superior	hierro fundido	31b	Cojinete	Rodamiento de bolas
11	Cuerpo del motor	hierro fundido	33	Protectores de motor	
13	Cuerpo de la bomba	hierro fundido	34	Sello mecánico	Sic-sic / Carbon-Sic (<2,2 kW) Sic-Sic / Sic-Sic (> 3,7 kW)
14	Impulsor	Aleación de cromo alto	35	Sello de aceite	
16	Tapa de succión	Hierro dúctil	47	Cable	
25	Rejilla	Acero			
27	Estator				

Dimensiones y pesos

Modelo	d	A	A1	B	D	H	W1	N.W	G.W	Dimensión de embalaje
	mm	mm	mm	mm	mm	mm	mm	Kg	Kg	mm
KBZ21.5	50	235	173	535	216	505	120	36	40	610x265x265
KBZ31.5	80	235	173	535	216	505	120	36	40	610x265x265
KBZ22.2	50	235	173	535	216	505	120	39	43	610x265x265
KBZ32.2	80	235	173	535	216	505	120	39	43	610x265x265
KBZ23.7	50	283	208	628	252	629	150	63	68	710x320x295
KBZ33.7	80	283	208	628	252	629	150	63	68	710x320x295
KBZ43.7	100	283	208	642	252	629	150	63	68	710x230x295
KBZ35.5	80	283	208	671	252	590	150	77	84	750x350x360
KBZ45.5	100	283	208	686	252	590	150	77	84	750x350x360
KBZ47.5	100	330	240	764	314	676	190	106	116	835x365x385
KBZ67.5	150	330	240	790	314	676	190	108	119	865x365x385
KBZ411	100	373	255	807	350	695	190	136	148	885x415x435
KBZ611	150	373	255	807	350	695	190	139	150	885x415x435
KBZ415	100	373	255	842	350	755	190	144	158	935x415x435
KBZ615	150	373	255	842	350	755	190	146	160	935x415x435

Curvas de rendimiento

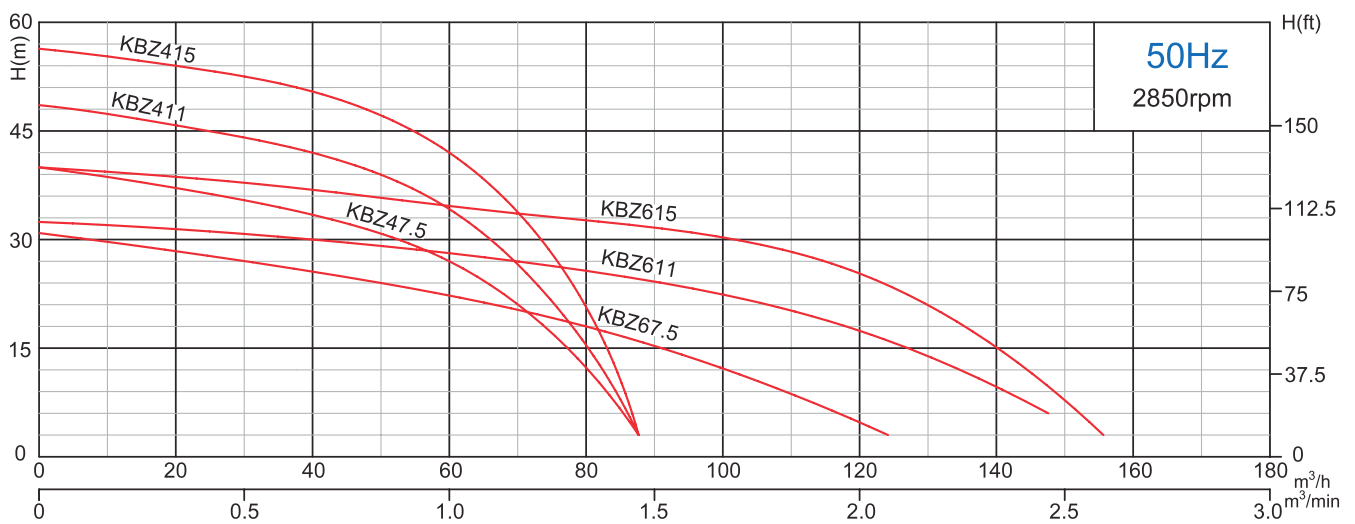
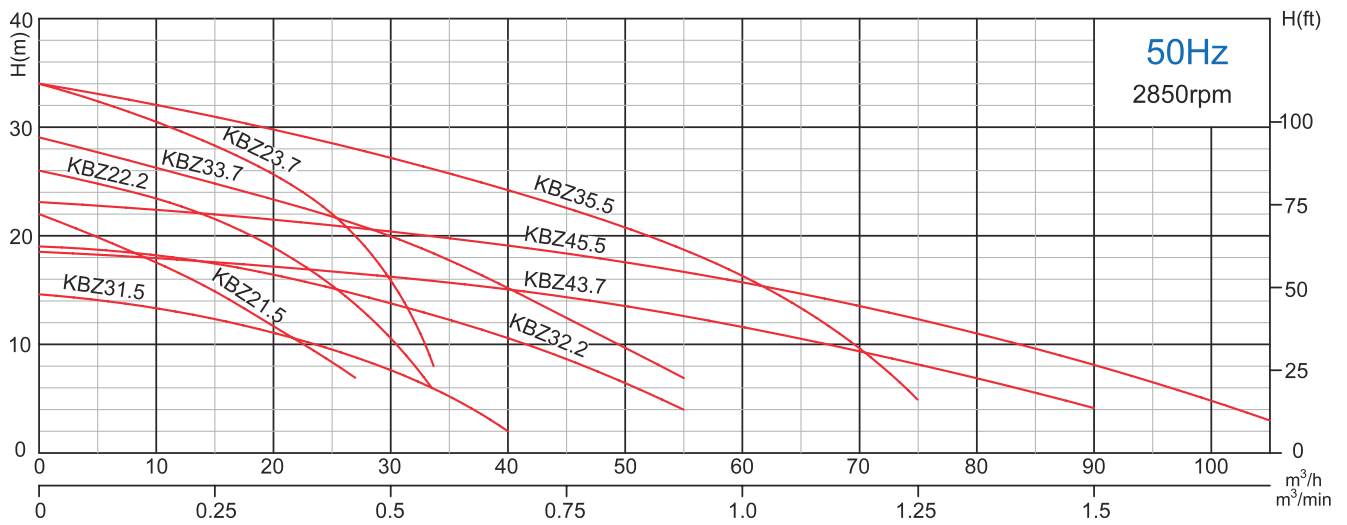


Tabla de rendimiento

Model (50Hz)	Salida	Potencia		Corriente nominal (400V)	Capacidad nominal		Altura Cabezal	Capacidad Máx.		Altura Máx.	Paso del impulsor
	mm	kW	HP		A	m³/h	m³/min	m	m³/h	m³/min	
KBZ21.5	50	1.5	2	3.5	15	0.25	15	27	0.45	22	8.5
KBZ31.5	80	1.5	2	3.5	30	0.50	8	40	0.67	14.5	8.5
KBZ22.2	50	2.2	3	5.0	18	0.30	20	33	0.55	26	8.5
KBZ32.2	80	2.2	3	5.0	36	0.60	11	55	0.92	19	8.5
KBZ23.7	50	3.7	5	7.7	12	0.20	30	33	0.55	34	8.5
KBZ33.7	80	3.7	5	7.7	30	0.50	20	55	0.92	29	8.5
KBZ43.7	100	3.7	5	7.7	60	1.0	11.5	90	1.50	18.5	8.5
KBZ35.5	80	5.5	7.5	11.4	36	0.60	25	75	1.25	34	8.5
KBZ45.5	100	5.5	7.5	11.4	60	1.0	16	105	1.75	23	8.5
KBZ47.5	100	7.5	10	15	48	0.80	30	84	1.40	40	11.5
KBZ67.5	150	7.5	10	15	90	1.60	15	124.8	2.08	31	19.5
KBZ41.1	100	11	15	22	60	1.0	35	84	1.40	48.5	11.5
KBZ61.1	150	11	15	22	102	1.70	22	147	2.45	32	19.5
KBZ41.5	100	15	20	29.5	60	1.0	42	84	1.40	56	11.5
KBZ61.5	150	15	20	29.5	102	1.70	30	156	2.60	40	19.5

Curvas de rendimiento

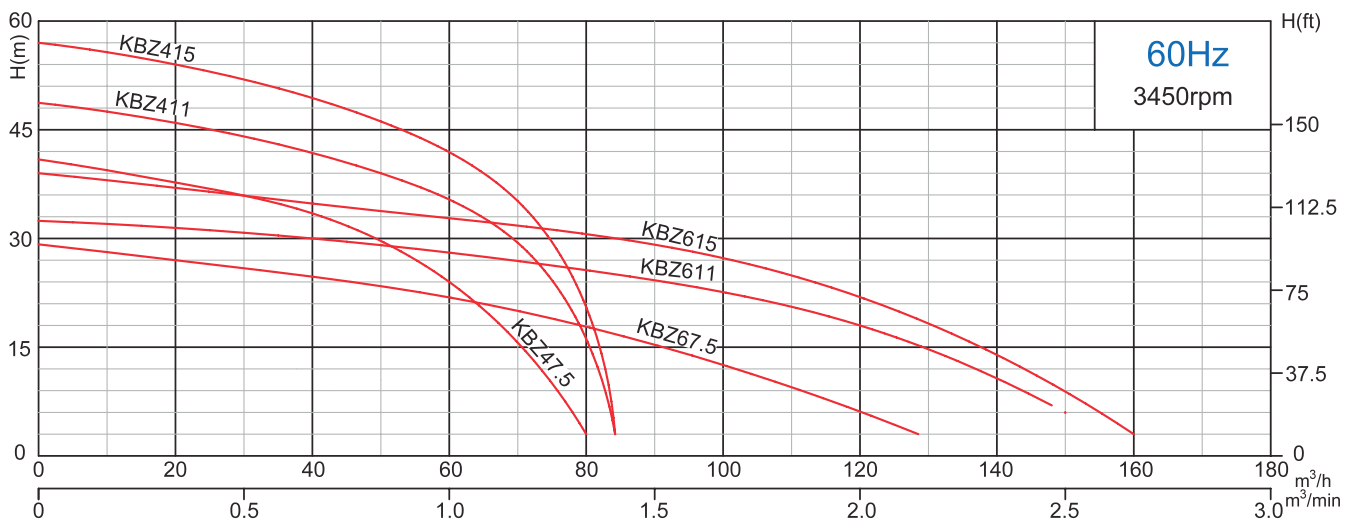
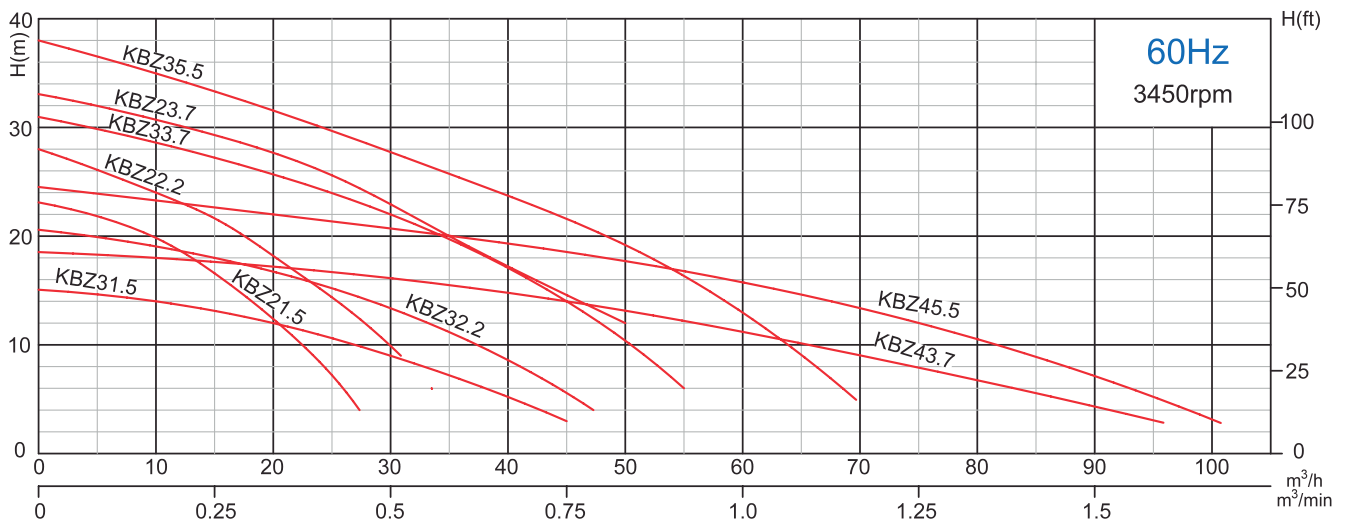
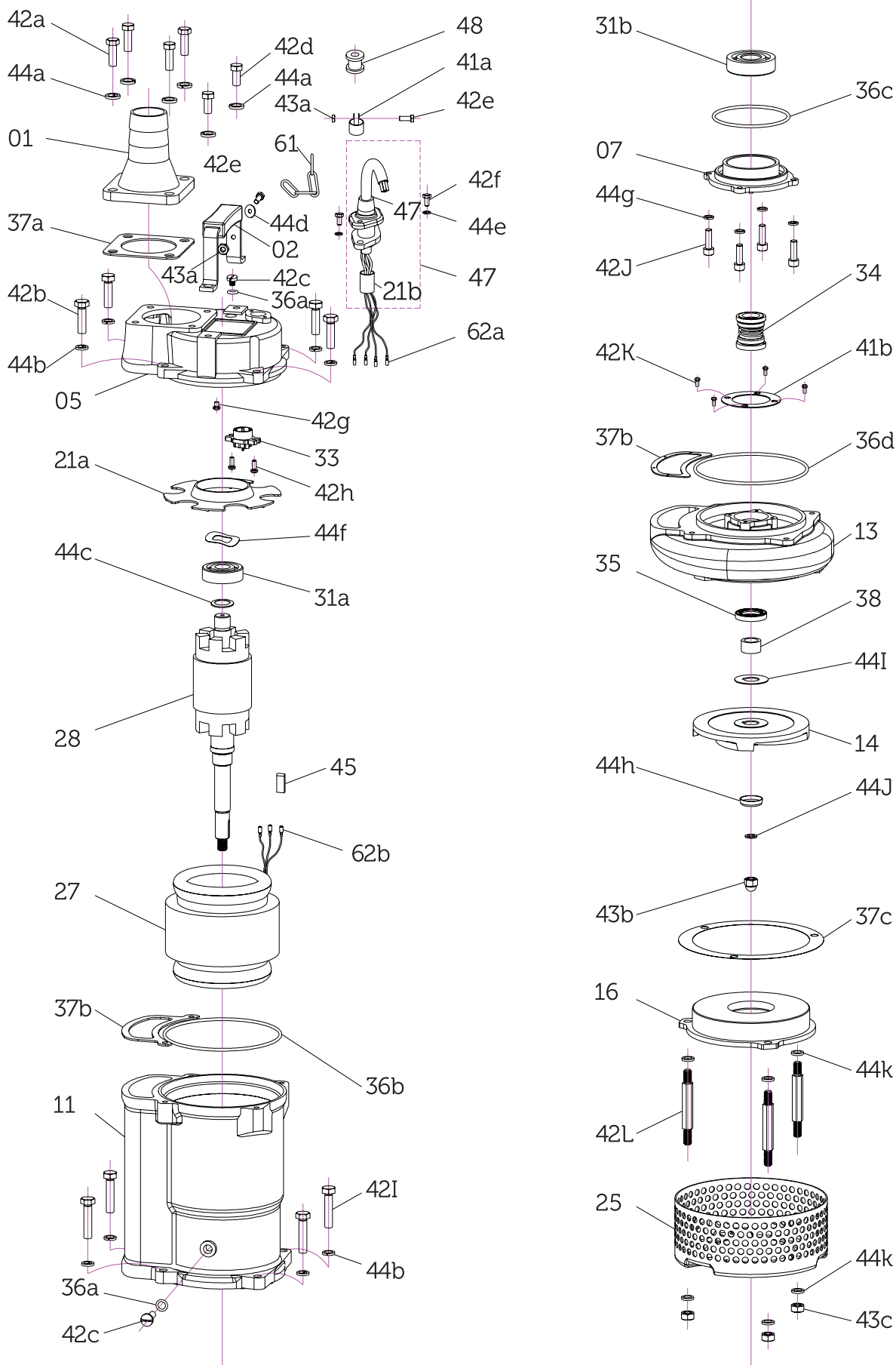


Tabla de rendimiento

Model (50Hz)	Salida mm	Potencia		Corriente nominal (400V) A	Capacidad nominal		Altura Cabezal m	Capacidad Máx.		Altura Máx. m	Paso del impulsor mm
		kW	HP		m³/h	m³/min		m³/h	m³/min		
KBZ21.5	50	1.5	2	3.5	15	0.25	16.5	27	0.45	23	8.5
KBZ31.5	80	1.5	2	3.5	30	0.50	9	45	0.75	15	8.5
KBZ22.2	50	2.2	3	5.1	18	0.30	20	31	0.52	28	8.5
KBZ32.2	80	2.2	3	5.1	30	0.60	13	47	0.78	20.5	8.5
KBZ23.7	50	3.7	5	8.0	12	0.20	30	50	0.83	33	8.5
KBZ33.7	80	3.7	5	8.0	30	0.50	22	55	0.92	31	8.5
KBZ43.7	100	3.7	5	8.0	60	1.0	11.5	96	1.60	18.5	8.5
KBZ35.5	80	5.5	7.5	11.6	36	0.60	25	69	1.15	38	8.5
KBZ45.5	100	5.5	7.5	11.6	60	1.0	16	102	1.70	24.4	8.5
KBZ47.5	100	7.5	10	15.4	48	0.80	30	80	1.33	41	11.5
KBZ67.5	150	7.5	10	15.4	90	1.60	15	127	2.12	31	19.5
KBZ411	100	11	15	22.5	60	1.0	35	84	1.40	48.5	11.5
KBZ611	150	11	15	22.5	102	1.70	22	147	2.45	32	19.5
KBZ415	100	15	20	30	60	1.0	42	84	1.40	57	11.5
KBZ615	150	15	20	30	102	1.70	27	160	2.67	39	19.5

Despiece

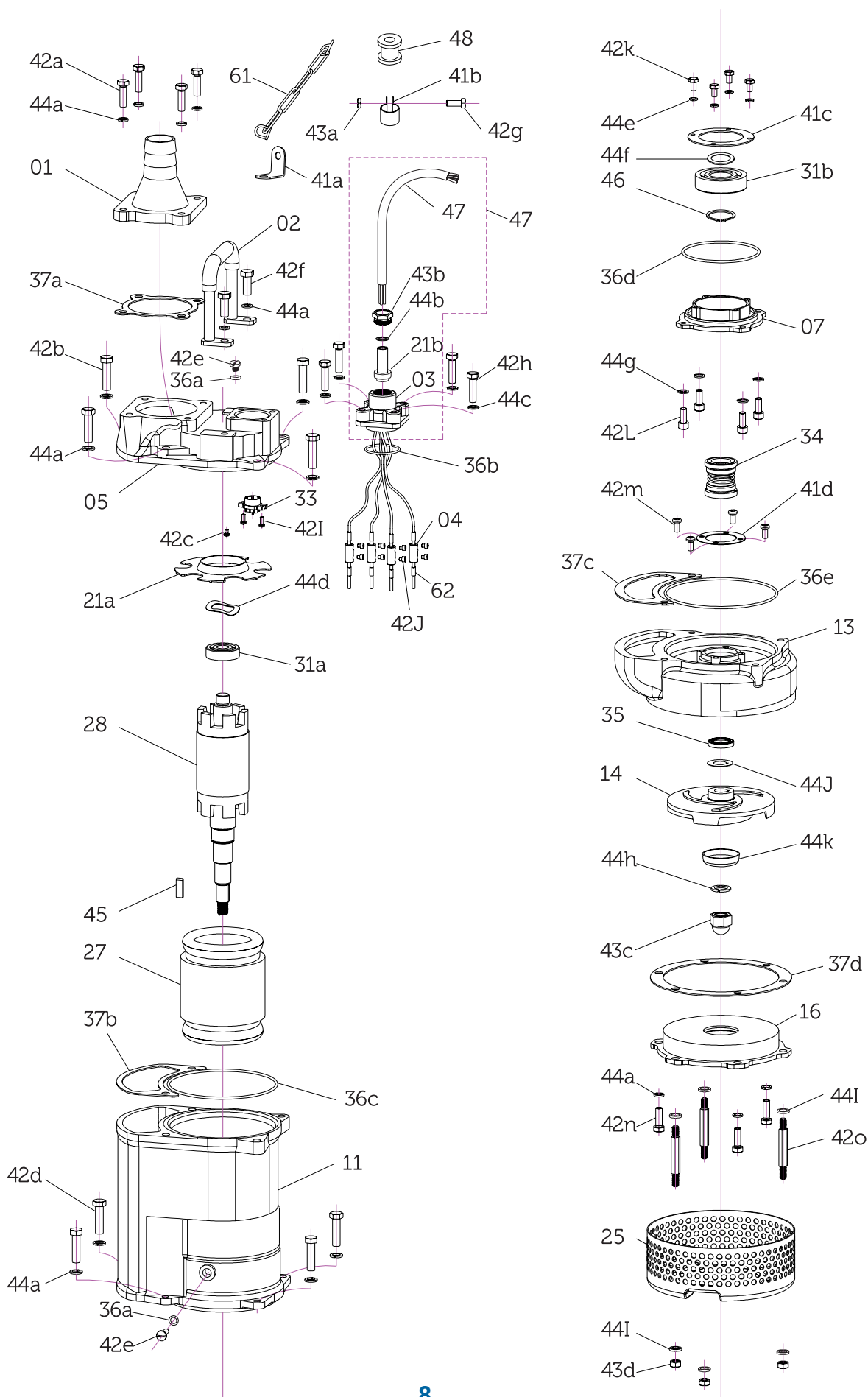
KBZ 1.5 ~ 2.2 KW



NÚMERO	DESCRIPCIÓN	CANTIDAD	MATERIAL
01	Hose coupling	1	Cast iron
02	Handle	1	Rubber & steel
05	Upper cover	1	Cast iron
07	Bearing house	1	Cast iron
11	Motorbody	1	Cast iron
13	Pump body	1	Cast iron
14	Impeller	1	High chrome alloy
16	Inlet plate	1	Ductil e iron
21a	Protecting plate	1	
21b	Protecting cap	1	PA66
25	Strainer	1	Steel
27	Stator	1	
28	Rotor	1	Shaft: AISI 420SS
31a	Bearing	1	
31	Bearing	1	
31b	Motor protector	1	
33	Mechanical seal	1	Sic-Sic / Carbon-Sic
34	Oil seal	1	
35	O' ring	2	NBR
36a	O' ring	1	NBR
36b	O' ring	1	NBR
36c	O' ring	1	NBR
36d	Gasket	1	NBR
37a	Gasket	2	NBR
37b	Gasket	1	PVC
37c	Shaft sleeve	1	AISI 420 SS
38	Cable clampling band	1	AISI 420 SS
41a	Mechanical seal fixing plate	1	
41b	Bdt	4	AISI 304 SS
42a	Bdt	4	AISI 304 SS
42b	Screw	2	AISI 304 SS
42c	Bdt	2	AISI 304 SS
42d	Bdt	2	AISI 304 SS
42f	Blot	2	AISI 304 SS
42g	Screw	1	
42h	Screw	2	
42l	Bdt	4	AISI 304 SS
42J	Screw	4	
42K	Screw	4	
42L	Screw	3	AISI 420 SS
43a	Nut	2	AISI 304 SS
43b	Cap nut	1	AISI 304 SS
43c	Nut	3	AISI 304 SS
44a	Spring washer	6	AISI 304 SS
44b	Spring washer	8	AISI 304 SS
44c	Bearing washer	1	
44d	Washer	1	AISI 304 SS
44e	Washer	2	AISI 304 SS
44f	Wavepad	1	65Mn
44g	Spring washer	4	
44h	Profiled pad	1	AISI 420 SS
44l	Impeller washer	1	AISI 304 SS
44J	Spring washer	1	AISI 304 SS
44K	Washer	6	AISI 304 SS
45	Key	1	
47	Cable	1	
47	Cable assembly	1	
48	Rubber sleeve	1	NBR
61	Chain	1	
62a	Connecting terminal	4	
62b	Connecting terminal	4	

Despiece

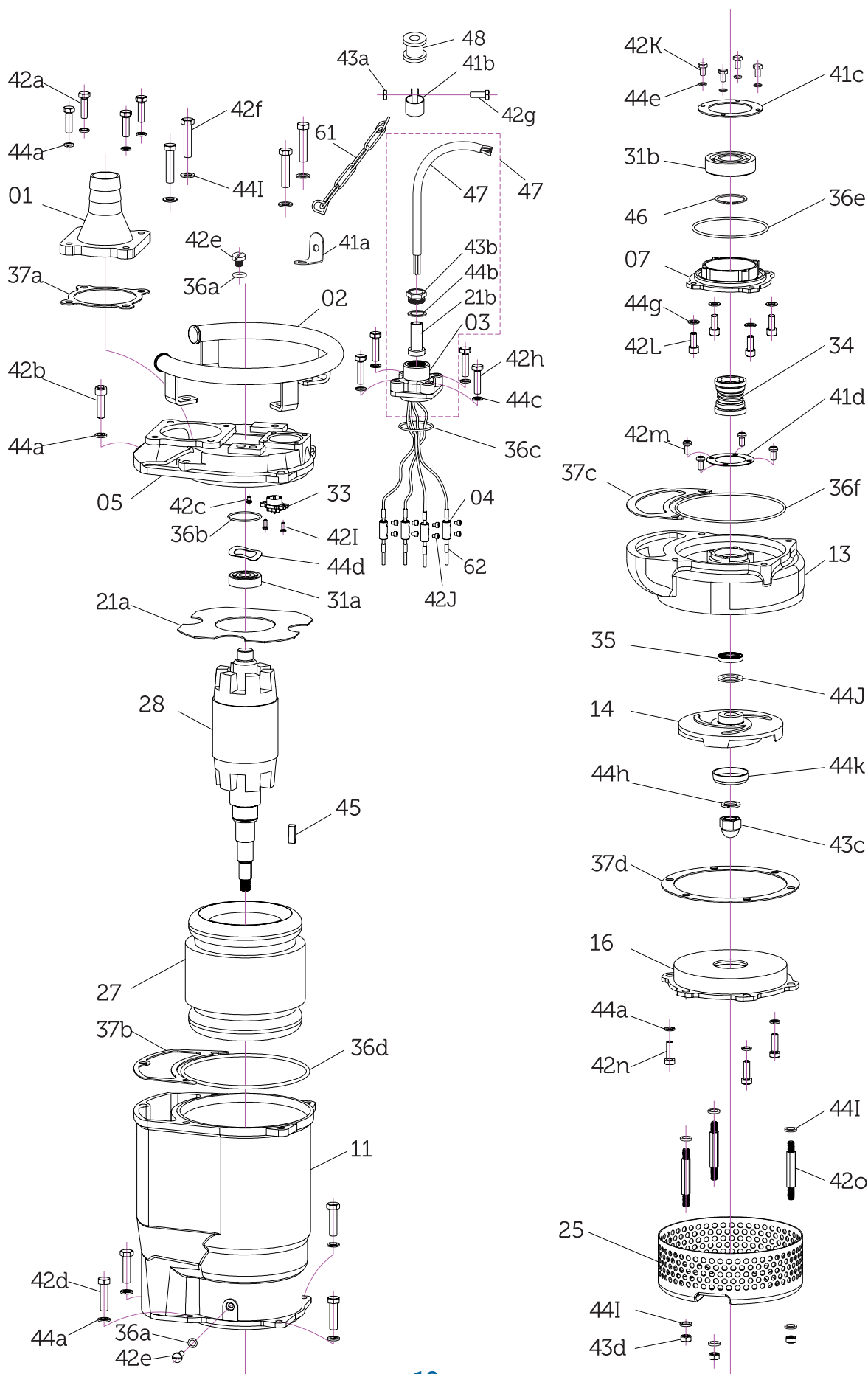
KBZ 3.7 KW



NÚMERO	DESCRIPCIÓN	CANTIDAD	MATERIAL
01	Hose coupling	1	Cast iron
02	Handle	1	Rubber & steel
03	Terminal box	1	Cast iron
04	Terminal block	4	H62
05	Upper cover	1	Cast iron
07	Bearing house	1	Cast iron
11	Motor body	1	Cast iron
13	Pump body	1	Cast iron
14	Impeller	1	High chrome alloy
16	Inlet plate	1	Ductile iron
21a	Protecting plate	1	PA66
21b	Protecting cap	1	NBR
25	Strainer	1	Steel
27	Stator	1	
28	Rotor	1	Shaft: AISI 420 SS
31a	Bearing	1	
31b	Bearing	1	
33	Motor protector	1	
34	Mechanical seal	1	Sic-Sic / Sic-Sic
35	Oil seal	1	
36a	O'ring	2	NBR
36b	O'ring	1	NBR
36c	O'ring	1	NBR
36d	O'ring	1	NBR
37a	Gasket	1	NBR
37b	Gasket	1	NBR
37c	Gasket	1	NBR
37d	Gasket	1	PVC
41a	Shim	1	
41b	Cable clamping band	1	AISI 420 SS
41c	Bearing fixing plate	11	
41d	Mechanical seal fixing plate	1	
42a	Bolt	4	AISI 304 SS
42B	Bolt	4	AISI 304 SS
42c	Screw	1	
42d	Bolt	4	AISI 304 SS
42e	Screw	2	AISI 304 SS
42f	Bolt	2	AISI 304 SS
42g	Bolt	1	AISI 304 SS
42h	Bolt	4	AISI 304 SS
42I	Screw	2	
42J	Screw	8	AISI 304 SS
42K	Bolt	4	
42L	Screw	4	
42m	Screw	4	
42n	Bolt	3	AISI 304 SS
42o	Screw	3	AISI 420 SS
43a	Nut	1	AISI 304 SS
43b	Cable nut	1	H62
43c	Cap nut	1	AISI 304 SS
43d	Nut	3	AISI 304 SS
44a	Spring washer	17	AISI 304 SS
44b	Cable washer	1	AISI 304 SS
44c	Spring washer	4	AISI 304 SS
44d	Wave pad	1	65Mn
44e	Spring washer	4	
44f	Bearing washer	1	AISI 304 SS
44g	Spring washer	4	
44h	Spring washer	1	AISI 304 SS
44I	Washer	6	AISI 304 SS
44J	Impeller washer	1	AISI 304 SS
44k	Profiled pad	1	AISI 420 SS
45	Key	1	
46	Circlips for shaft	1	65Mn
47	Cable	1	H07RN-F
47	Cable-Terminal box assembly	1	
48	Rubber sleeve	1	NBR
61	Chain	1	
62	Connecting terminal	8	

Despiece

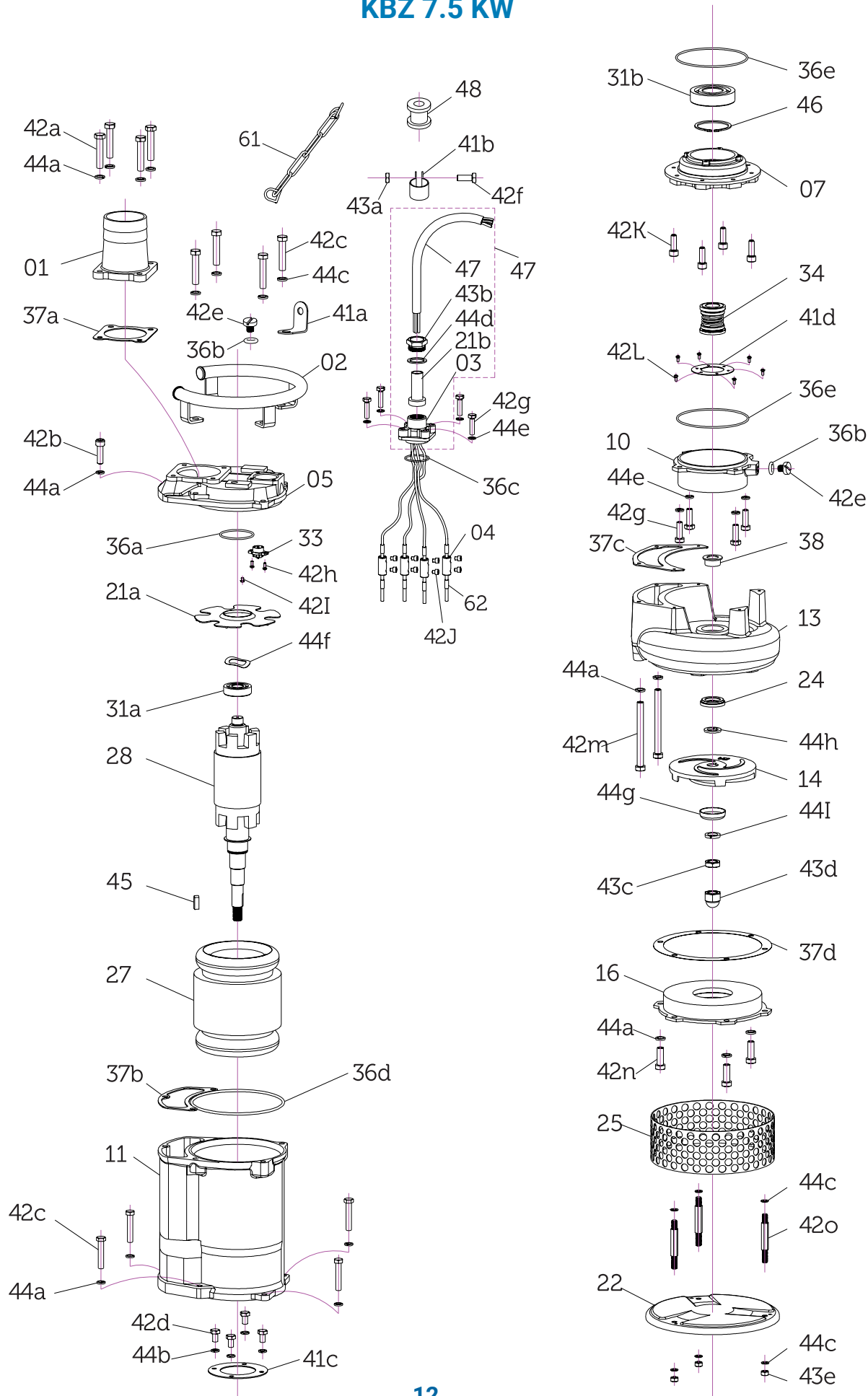
KBZ 5.5 KW



NÚMERO	DESCRIPCIÓN	CANTIDAD	MATERIAL
01	Hose coupling	1	Cast iron
02	Handle	1	Steel
03	Terminal box	1	Cast iron
04	Terminal block	4	H62
05	Upper cover	1	Cast iron
07	Bearing house	1	Cast iron
11	Motor body	1	Cast iron
13	Pump body	1	Cast iron
14	Impeller	1	High chrome alloy
16	Inlet plate	1	Ductil e iron
21a	Protecting plate	1	PA66
25	Strainer	1	NBR
27	Stator	1	
28	Rotor	1	Shaft: AISI 420 SS
31a	Bearing	1	
31b	Bearing	1	
33	Motor protector	1	
34	Mechanical seal	1	Sic-Sic / Sic-Sic
35	Oil seal	1	
36a	O'ring	2	NBR
36b	O'ring	1	NBR
36c	O'ring	1	NBR
36d	O'ring	1	NBR
36e	O'ring	1	NBR
36f	O'ring	1	NBR
37a	Gasket	1	NBR
37b	Gasket	1	NBR
37c	Gasket	1	NBR
37d	Gasket	1	PVC
41a	Shim	1	
41b	Cable clamping band	1	AISI 420 SS
41c	Bearing fixing plate	1	
41d	Mechanical seal fixing plate	1	
42a	Bolt	4	AISI 304 SS
42b	Screw	1	AISI 304 SS
42c	Screw	1	
42d	Bolt	4	AISI 304 SS
42e	Screw	2	AISI 304 SS
42f	Bolt	4	AISI 304 SS
42g	Bolt	1	AISI 304 SS
42h	Bolt	4	AISI 304 SS
42i	Screw	2	
42J	Screw	8	AISI 304 SS
42K	Bolt	4	
42L	Screw	4	
42m	Screw	4	
42n	Bolt	3	AISI 304 SS
42o	Screw	3	AISI 420 SS
43a	Nut	1	AISI 304 SS
43b	Cable nut	1	H62
43c	Cap nut	1	AISI 304 SS
43d	Nut	3	AISI 304 SS
44a	Spring washer	12	AISI 304 SS
44b	Cable washer	1	AISI 304 SS
44c	Spring washer	4	AISI 304 SS
44d	Wavepad	1	65Mn
44e	Spring washer	4	
44g	Spring washer	4	
44h	Spring washer	10	AISI 304 SS
44i	Washer	1	AISI 304 SS
44J	Impeller washer	1	AISI 304 SS
44K	Profiled pad	1	AISI 420 SS
45	Key	1	
46	Circlips for shaft	1	65Mn
47	Cable	1	
47	Cable-Terminal box assembly	1	
48	Rubber sleeve	1	NBR
61	Chain	1	
62	Connecting terminal	8	

Despiece

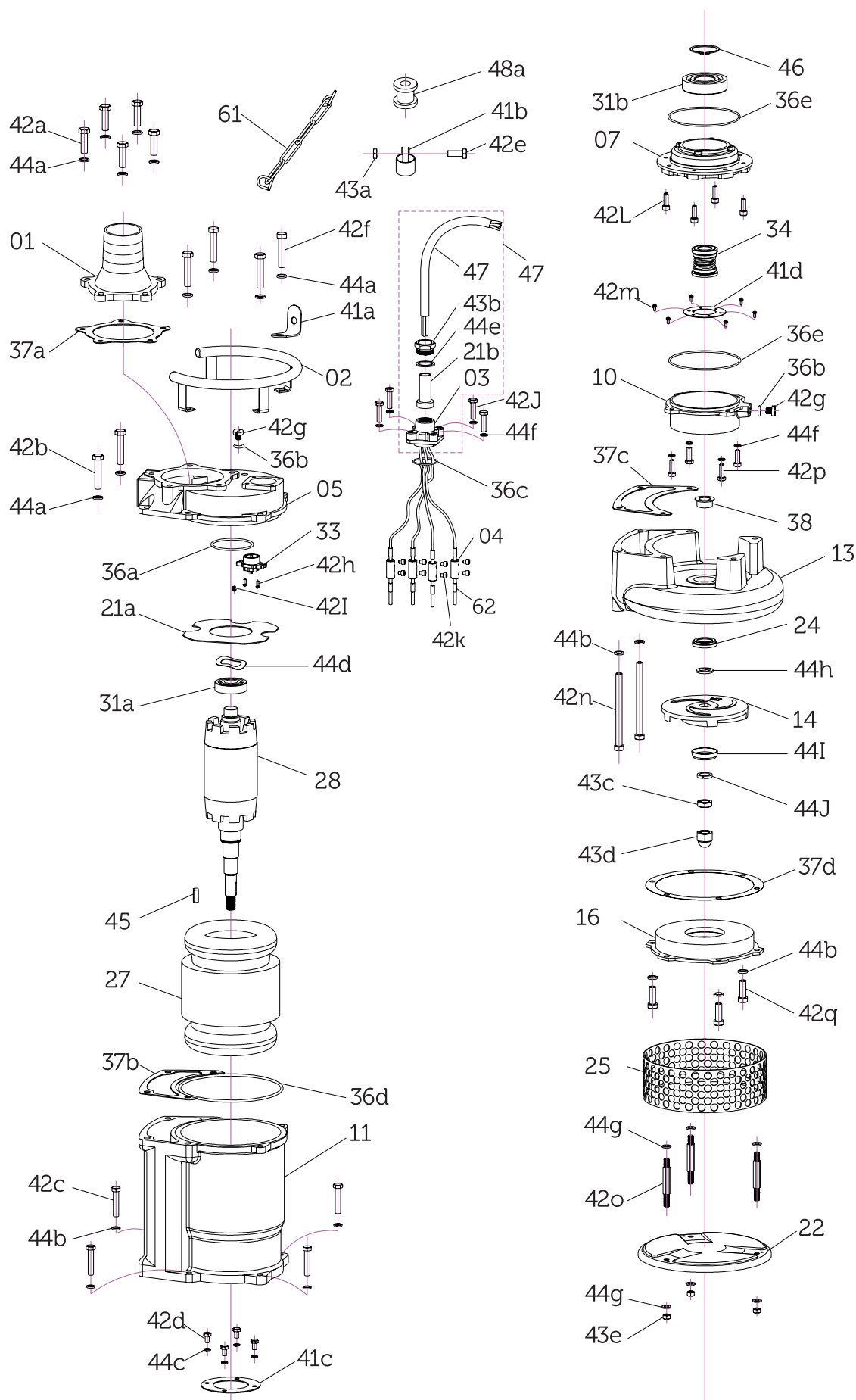
KBZ 7.5 KW



NÚMERO	DESCRIPCIÓN	CANTIDAD	MATERIAL
01	Hose coupling	1	Cast iron
02	Handle	1	Steel
03	Terminal box	1	Cast iron
04	Terminal block	4	H62
05	Upper cover	1	Cast iron
07	Bearing house	1	Cast iron
10	Seal house	1	Cast iron
11	Motor body	1	Cast iron
13	Pump body	1	Cast iron
14	Impeller	1	High chrome alloy
16	Inlet plate	1	Ductile iron
21a	Protecting plate	1	PA66
21b	Protecting cap	1	NBR
22	Seat assembly	1	Steel
24	Neck ring	1	AISI 304 SS
25	Strainer	1	Steel
27	Stator	1	
28	Rotor	1	Shaft: AISI 420 SS
31a	Bearing	1	
31b	Bearing	1	
33	Motor protector	1	
34	Mechanical seal	1	Sic-Sic / Sic-Sic
36a	O'ring	1	NBR
36b	O'ring	2	NBR
36c	O'ring	1	NBR
36d	O'ring	1	NBR
36e	O'ring	2	NBR
37a	Gasket	1	NBR
37c	Gasket	1	NBR
37d	Gasket	1	PVC
38	Shaft sleeve	1	AISI 420 SS
41a	Shim	1	
41b	Cable clamping band	1	AISI 420 SS
41c	Bearing fixing plate	1	
41d	Mechanical seal fixing plate	1	
42a	Bolt	4	AISI 304 SS
42b	Screw	1	AISI 304 SS
42c	Bolt	8	AISI 304 SS
42d	Bolt	4	
42e	Screw	2	AISI 304 SS
42f	Bolt	1	AISI 304 SS
42g	Bolt	4	AISI 304 SS
42h	Screw	2	
42i	Screw	1	
42J	Screw	8	AISI 304 SS
42K	Screw	4	AISI 304 SS
42L	Screw	6	
42m	Bolt	2	AISI 304 SS
42n	Bolt	3	AISI 304 SS
42o	Screw	3	AISI 420 SS
43a	Nut	1	AISI 304 SS
43b	Cable nut	1	H62
43c	Nut	1	AISI 304 SS
43d	Cap nut	1	AISI 304 SS
43e	Nut	3	AISI 304 SS
44a	Spring washer	14	AISI 304 SS
44b	Spring washer	4	
44c	Washer	10	AISI 304 SS
44d	Cable washer	1	AISI 304 SS
44e	Spring washer	8	AISI 304 SS
44f	Wave pad	1	65Mn
44g	Profiled pad	1	AISI 420 SS
44h	Impeller washer	1	AISI 304 SS
44i	Spring washer	1	AISI 304 SS
45	Key	1	
46	Circlips for shaft	1	65Mn
47	Cable	1	
47	Cable-terminal box assembly	1	
48	Rubber sleeve	1	NBR
61	Chain	1	
62	Connecting terminal	8	

Despiece

KBZ 7.5 KW



NÚMERO	DESCRIPCIÓN	CANTIDAD	MATERIAL
01	Hose coupling	1	Cast iron
02	Handle	1	Steel
03	Terminal box	1	Cast iron
04	Wiring terminal	4	H62 (Cu)
05	Upper support	1	Cast iron
07	Bearing house	1	Cast iron
10	Seal house	1	Cast iron
11	Motor body	1	Cast iron
13	Pump body	1	High chrome alloy
16	Inlet plate	1	Ductile iron
21a	Protect ing cap	1	PA66
21b	Cable tube	1	NBR
22	Seat assembly	1	Steel
24	Neck ring	1	AISI 304 SS
25	Strainer	1	Steel
27	Stator	1	
28	Rotor	1	Shaft: AISI 420 SS
31a	Bearing	1	
31b	Bearing	1	
33	Motor protector	1	
34	Mechanical seal	1	Sic-Sic / Sic-Sic
36a	O'ring	1	NBR
36b	O'ring	2	NBR
36c	O'ring	1	NBR
36d	O'ring	1	NBR
36e	O'ring	2	NBR
37a	Gasket	1	NBR
37b	Gasket	1	NBR
37c	Gasket	1	NBR
37d	Gasket	1	PVC
38	Shaft sleeve	1	AISI 420 SS
41a	Shim	1	
41b	Cable clamping band	1	
41c	Bearing fixing plate	1	
41d	Mechanical seal fixing plate	1	
42a	Bolt	5	AISI 304 SS
42b	Bolt	2	AISI 304 SS
42c	Bolt	4	AISI 304 SS
42d	Bolt	4	
42e	Bolt	1	AISI 304 SS
42f	Bolt	4	AISI 304 SS
42g	Screw	2	AISI 304 SS
42h	Bolt	2	
42g	Screw	1	
42h	Bolt	2	
42i	Screw	1	
42J	Screw	4	AISI 304 SS
42k	Screw	8	
42L	Screw	4	AISI 304 SS
42m	Bolt	6	
42n	Screw	2	AISI 304 SS
42o	Bolt	3	AISI 420 SS
42p	Bolt	4	AISI 304 SS
42q	Bolt	3	AISI 304 SS
43a	Nut	1	AISI 304 SS
43b	Cable nut	1	H62(Cu)
43c	Nut	1	AISI 304 SS
43d	Cap nut	1	AISI 304 SS
44a	Spring washer	11	AISI 304 SS
44b	Spring washer	9	AISI 304 SS
44c	Spring washer	4	
44d	Wavepad	1	65Mn
44e	Washer	1	
44f	Spring washer	8	AISI 304 SS
44g	Washer	6	AISI 304 SS
44h	Impeller washer	1	AISI 304 SS
44i	Profiled pad	1	AISI 420 SS
44J	Spring washer	1	AISI 304 SS
45	Key	1	
46	Circlips for shaft	1	65Mn
47	Cable	1	2PCNT-F
47	Cable-Terminal box assembly	1	
48	Rubber sleeve	1	NBR
61	Chain	1	
62	Connecting terminal	8	

Proindecsa

Polígono Industrial Oeste, parc. 25/12

30169 San Ginés (Murcia)

Tlf: 968 88 08 52 Fax: 968 09 84

www.proindecsa.com / proindecsa@proindecsa.com



entidad asociada a

cepreven

