

**PYD**  
ELECTROBOMBAS

**BOMBAS SUMERGIBLES**  
SUBMERSIBLE PUMPS • POMPES SUBMERSIBLES

**SERIE ACUASUB**



SUMERGIBLE ACERO INOXIDABLE 4"  
SUBMERSIBLE STAINLESS STEEL 4" • SUBMERSIBLE ACIER INOX 4"

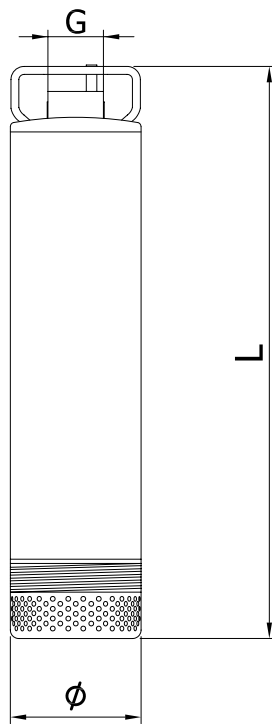


# ACUASUB

Bomba sumergible centrífuga multicelular de impulsores radiales. Diseñada para trasegar agua limpia en riego, elevaciones de agua, vaciado de depósitos, etc.

Centrifugal centrifugal submersible pump with radial impellers. Designed to transfer clean water in irrigation, water elevations, emptying tanks, etc.

Pompe submersible centrifuge centrifuge avec roues radiales. Conçu pour transférer de l'eau propre dans l'irrigation, les élévations d'eau, la vidange des réservoirs, etc.



## Dimensiones

	55/100	55/140	70/100	100/100
Nº Kit	16	22	11	15
Ø mm	100	100	100	100
L mm	751	973	632	802
G	1 1/4	1 1/4	1 1/4	1 1/4
Kg	13	14	13	15

### Materiales

Cuerpo bomba	INOX 304
Impulsor	PPO
Difusor	PPO
Eje rotor	INOX 420
Envolvente	INOX 304
Cierre mecánico	Alu/graf.
Rejilla aspiración	INOX 304
Tornillería	INOX 304

### Rango de trabajo

Arranques máx./h:	40
Inmersión máx.	17 m
Temperatura	35°C
Fluidos	Agua limpia

### Materials

Outlet body	SS 304
Impeller	PPO
Diffuser	PPO
Rotor shaft	SS 420
Casing	SS 304
Mechanical seal	Alu/graph.
Suction grid	SS 304
Screws	SS 304

### Working range

Max numbers of starts	40
Max. immersion	17 m
Temperature	35°C
Fluids	Clean water

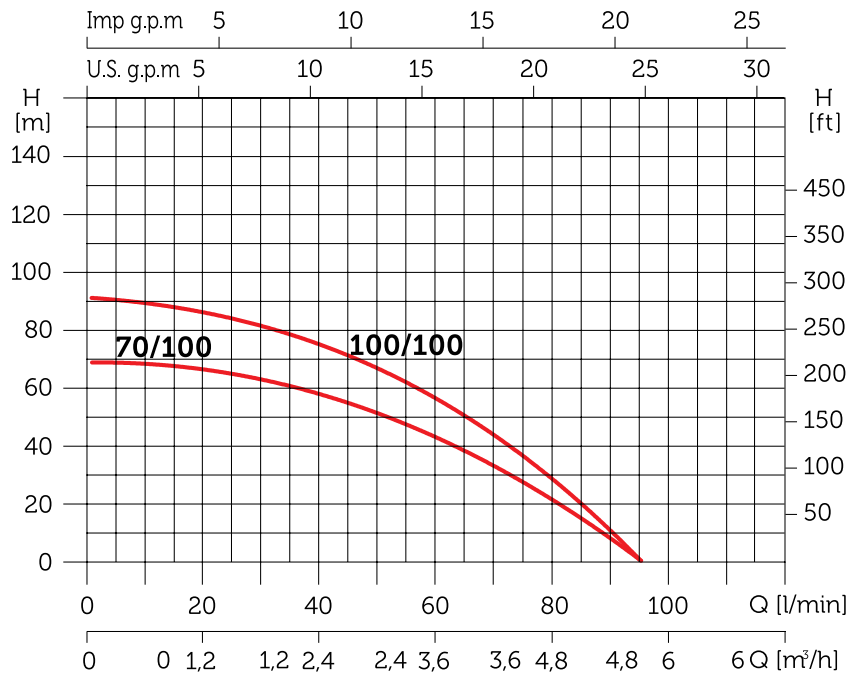
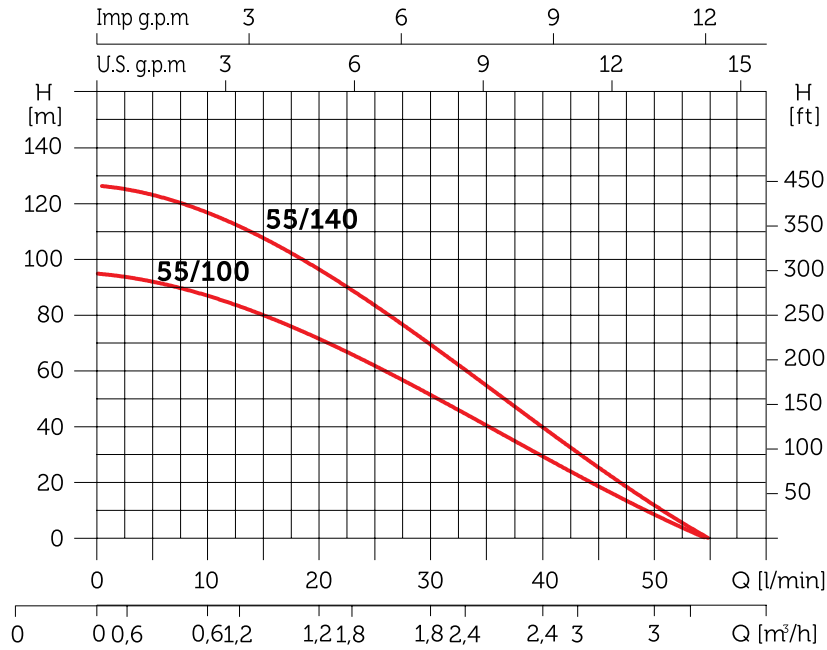
### Matériels

Corps d'impuls.	INOX 304
Roue	PPO
Diffuseur	PPO
Arbre	INOX 420
Enveloppe	INOX 304
Garniture méc.	Alu/graph.
Gille	INOX 304
Vis	INOX 304

### Plage de travail

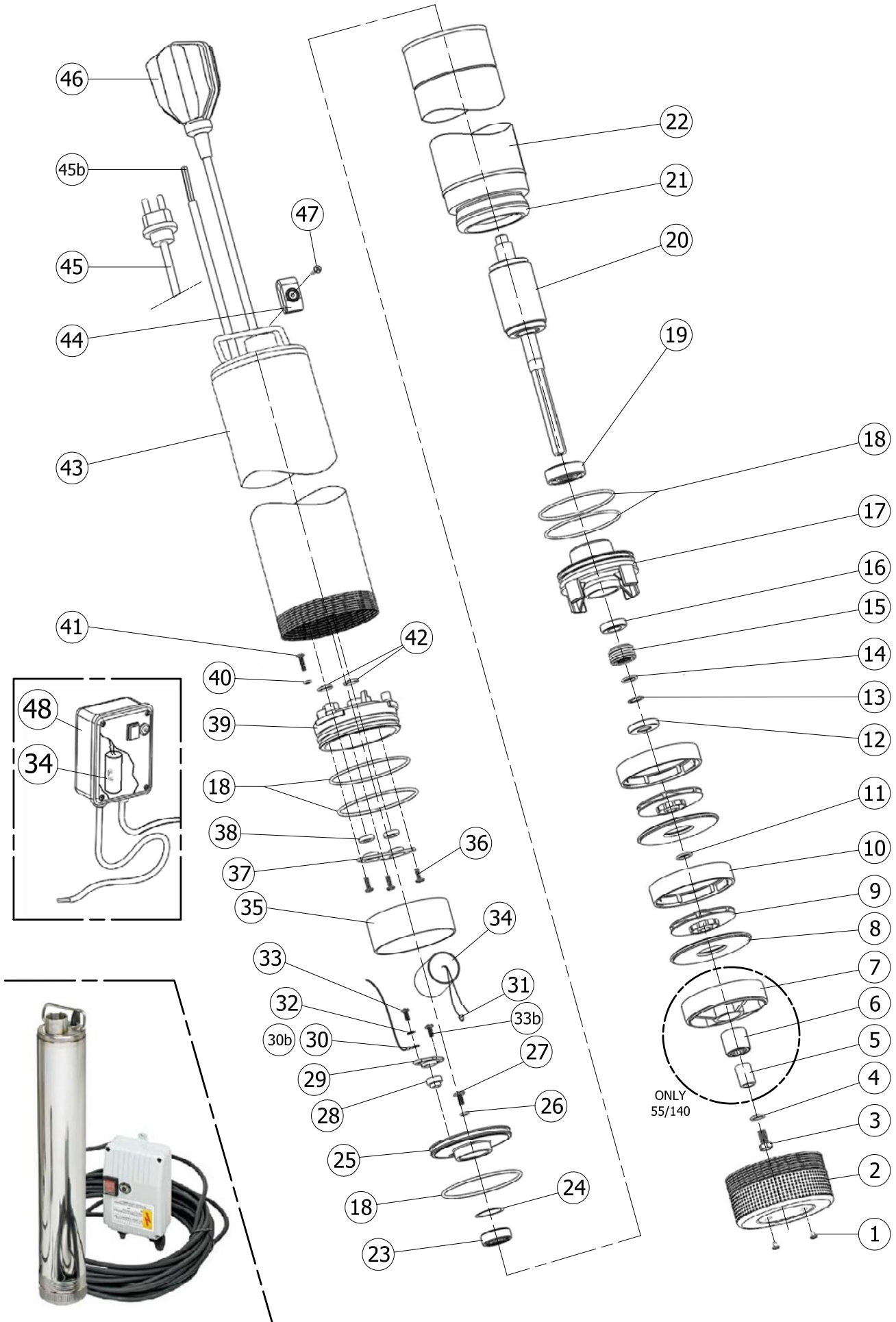
Nombre max. de départs	40
Immersion max.	17 m
Température	35°C
Fluides	Eau propre

# Curvas y puntos de servicio



MODELO MODEL MODÈLE	DN [Ø"]	SÓLIDOS SOLIDS SOLIDES [g/m³]	INTENSIDAD [A] CURRENT [A] INTENSITÉ [A]		POTENCIA POWER PUISSANCE		CONDENSADOR CAPACITOR CONDENSATEUR [µF]
			1~220V	3~380V	KW [P <sub>2</sub> ]	Hp [P <sub>2</sub> ]	
ACUASUB 55/100	1"¼	60	7,0	2,8	0,75	1,00	25
ACUASUB 55/140	1"¼	60	9,0	3,5	1,10	1,50	40
ACUASUB 70/100	1"¼	60	7,0	2,8	0,75	1,00	25
ACUASUB 100/100	1"¼	60	9,0	3,5	1,10	1,50	40

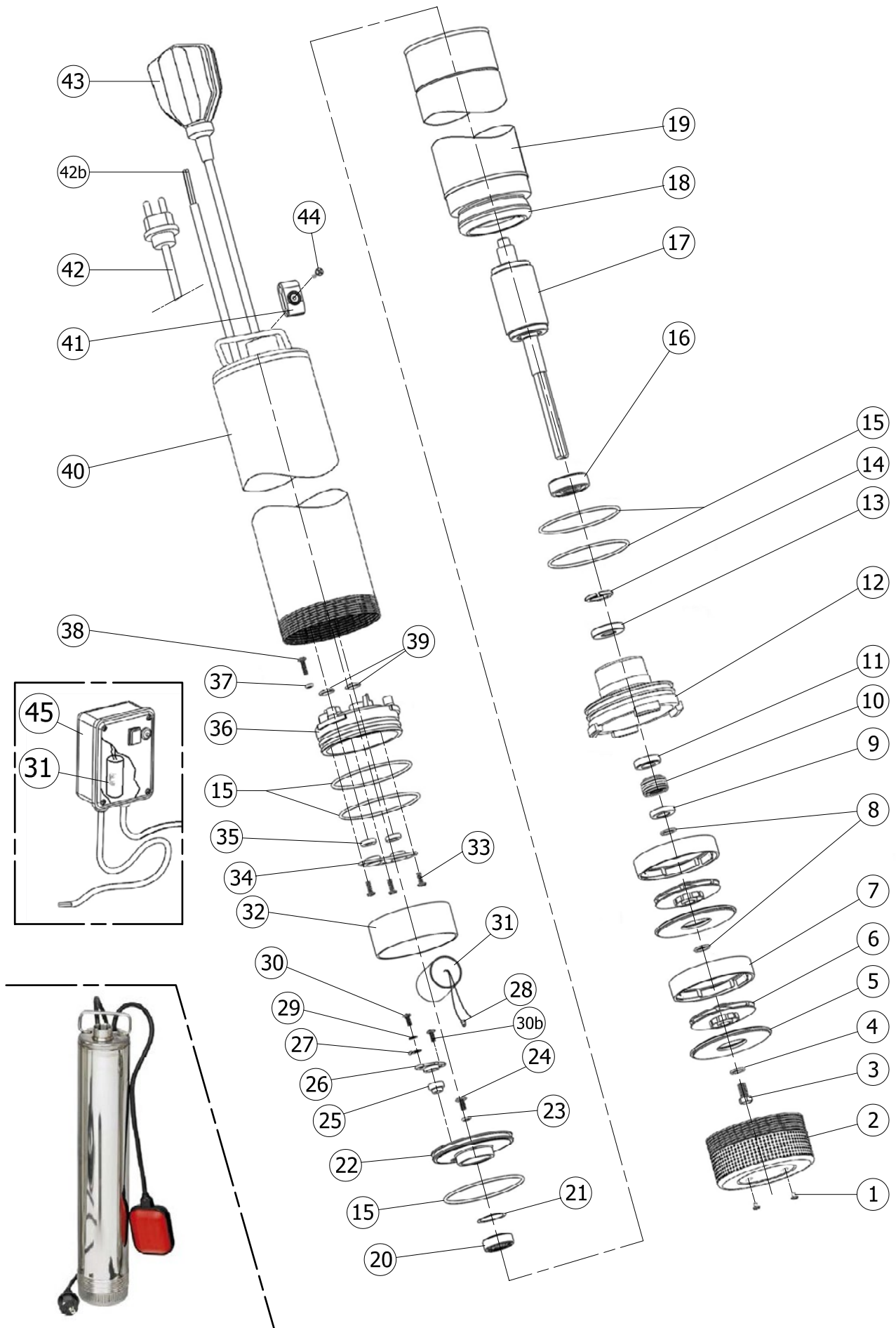
**Despiece ACUASUB 55/100 - 55/140 - 100/100**



Nº	Descripción	Cantidad
1	STOPPER	2
2	SUCTION SCREEN	1
3	SCREW	1
4	WASHER	1
5	CARAVEL HUB	1
6	CARAVEL	1
7	CARAVEL SUPPORT	1
8	SEPARATOR	16-22-15
9	IMPELLER	16-22
9	IMPELLER	15
10	DIFFUSER	16-22-15
11	WASHER h 0,5 mm	1
12	LIP SEAL	1
13	SNAP RING	1
14	WASHER	1
15	MECHANICAL SEAL	1
16	COUNTERFACE 55/100N- 100/100	1
16	COUNTERFACE 55/140	1
17	LOWER SUPPORT	1
18	O-RING / O-RING / O-RING	5
19	BALL BEARING	1
20	MOTOR SHAFT 55/100	1
20	MOTOR SHAFT 55/140	1
21	WOUND STATOR 55/100 v.230	1
21	WOUND STATOR 55/100mv.400	1
21	WOUND STATOR 55/140 - 100/100 v.230	1
21	WOUND STATOR 55/140 - 100/100 v.400	1
22	MOTOR HOUSING 55/100	1
22	MOTOR HOUSING 55/140 - 100/100	1
23	BALL BEARING	1
24	SPRING	1
25	COVER	1
26	O-RING	1
27	SCREW	1
28	RUBBER 3 HOLES	1
29	CABLE GLAND	1
30	EARTH CONNECTOR 55/100 manual version	1
30	EARTH CONNECTOR 55/100 automatic version	1
30b	CABLE WITH EARTH CONNECTOR 55/140 - 100/100	1
31	CONNECTOR	3-4
32	WASHER	1
33	SCREW	1
33b	SCREW	1
34	CAPACITOR 55/100 v.230 25µF	1
34	CAPACITOR 55/140 - 100/100 v230 40µF	1
35	SPACER	1
35	SPACER	1
36	SCREW	3

Nº	Descripción	Cantidad
37	CABLE GLAND	1
38	RUBBER v.230 man - v.230 aut (capacitor on-board)	1-2
38	RUBBER v.230 man-v.230aut (box or capacitor outside)-v.400	1
39	COVER 1 HOLE v.230 man	1
39	COVER 1 HOLE v.400 - v.230 man ext. capacitor	1
39	COVER 2 HOLES v.230 aut	1
39	COVER 2 HOLES v.230 aut ext. cap.	1
40	O-RING	1
41	SCREW	1
42	O-RING	2
43	BODY 55/100	1
43	BODY 55/140	1
43	BODY 100/100	1
44	CABLE CLAMP automatic version	1
45	CABLE 10m H07 3x1 with Schuko plug	1
45	CABLE 20m H07 3x1 with Schuko plug	1
45	CABLE 23m H07 3x1 with Schuko plug	1
45b	CABLE H07 3x1 (on-board capacitor drinkable)	20 m
45b	CABLE H07 3x1 (on-board capacitor)	1,5-10-20m
45b	CABLE H07 4x <sup>9</sup> BOX	1,5-10-20-30m
46	FLOAT 55/140 - 100/100 aut. v.230	1
46	FLOAT 55/140 - 100/100 aut. v.230	1
47	SCREW automatic version	1
48	CONTROL BOX 55/100 v.230 (8A)	1
48	CONTROL BOX 55/140 - 100/100v.230 (10A)	1
-	ENGINE OIL	0,48lt

**Despiece ACUASUB 70/100**



Nº	Descripción	Cantidad
1	STOPPER	2
2	SUCTION SCREEN	1
3	SCREW	1
4	WASHER	1
5	SEPARATOR miniEU-EUROJET-ACUAJET-100/70	7-10-10-11
6	IMPELLER miniEU-EUROJET-ACUAJET	7-10-10
6	IMPELLER 100/70	11
7	DIFFUSER miniEU-EUROJET-ACUAJET-100/70	7-10-10-11
8	WASHER h.0,5mm	1
9	SPACER	1
10	MECHANICAL SEAL	1
11	COUNTERFACE	1
12	LOWER SUPPORT	1
13	LIP SEAL	1
14	SNAP RING	
15	O-RING	5
16	BALL BEARING	1
17	MOTOR SHAFT miniEUROJET	1
17	MOTOR SHAFT EUROJET-ACUAJET	1
17	MOTOR SHAFT 100/70	1
18	WOUND STATOR miniEUROJET v.230	1
18	WOUND STATOR EUROJET-ACUAJET v.230	1
18	WOUND STATOR ACUAJET V.400	1
18	WOUND STATOR 100/70 v.230	1
18	WOUND STATOR 100/70 v.400	1
19	MOTOR HOUSING miniEUROJET	1
19	MOTOR HOUSING EUROJET-ACUAJET	1
19	MOTOR HOUSING 100/70	1
20	BALL BEARING	1
21	SPRING	1
22	COVER	1
23	O-RING	1
24	SCREW	1
25	RUBBER 3 HOLES	1
26	CABLE GLAND	1
27	EARTH CONNECTOR manual version	1
27	EARTH CONNECTOR automatic version	1
28	CONNECTOR	3-4
29	WASHER	1
30	SCREW	1
30b	SCREW	1
31	CAPACITOR miniEUROJET v.230 14µF	1
31	CAPACITOR EUROJET-ACUAJET v.230 20µF	1
31	CAPACITOR 100/70 v.230 25µF	1
32	SPACER miniEUROJET	1
32	SPACER EUROJET-ACUAJET	1
32	SPACER 100/70	1

Nº	Descripción	Cantidad
33	SCREW	3
34	CABLE GLAND	1
35	RUBBER v.230 man - v.230 aut (capacitor on-board)	1-2
35	RUBBER v.230 man - v.230 aut (box or capacitor outside)-v.400	1
36	COVER 1 HOLE	1
36	COVER 1 HOLE v.400 - v.230 man ext.capacitor	1
36	COVER 2 HOLES v.230 aut	1
36	COVER 2 HOLES v.230 aut ext. cap.	1
37	O-RING	1
38	SCREW	1
39	O-RING	2
40	BODY miniEUROJET	1
40	BODY EUROJET-ACUAJET	1
40	BODY 100/70	1
41	CABLE CLAMP automatic version	1
42	CABLE 10m H07 3x1 with Schuko plug	1
42	CABLE 20m H07 3x1 with Schuko plug	1
42	CABLE 23m H07 3x1 with Schuko plug	1
42b	CABLE H07 3x1 (on-board capacitor drinkable)	20 m
42b	CABLE H07 3x1 (on-board capacitor)	1,5-10-20m
42b	CABLE H07 4X1 BOX (v.400 or over-board capacitor)	1,5-10-20m
43	FLOAT aut. v.230	1
44	SCREW automatic version	1
45	CONTROL BOX ACUAJET v.230 (5A)	1
45	CONTROL BOX 100/70 v.230 (8A)	1
-	ENGINE OIL miniEUROJET-EUROJET-ACUAJET	0,4 lt
-	ENGINE OIL 100/70	0,48 lt

# *Proindecsa*

Tel.: 968 88 08 52

[www.proindecsa.com](http://www.proindecsa.com) / [proindecsa@proindecsa.com](mailto:proindecsa@proindecsa.com)

Murcia (SPAIN)

